

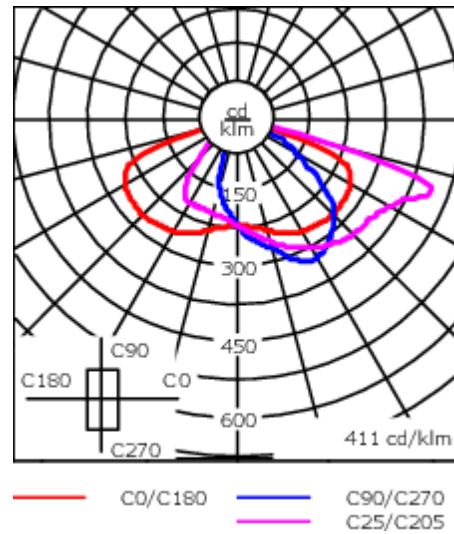
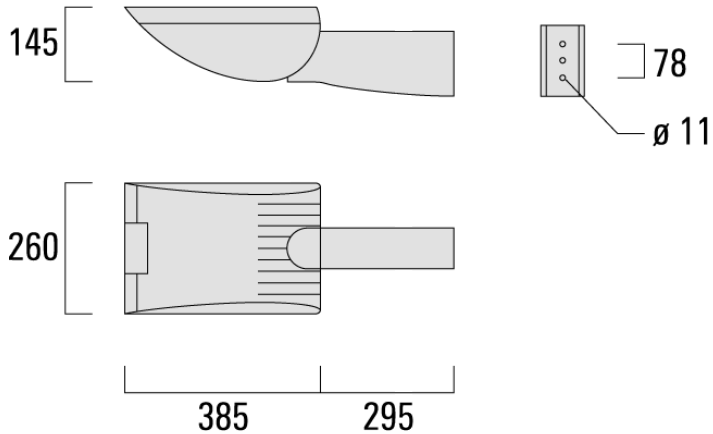


Description

IP66 . IK08. Marine-grade, die-cast aluminium alloy. 5CE superior corrosion protection including PCS hardware. Safety glass lens, hinged. Silicone CCG® Controlled Compression Gasket.

Integral EC electronic converter in thermally-separated compartment. Advanced thermal management protects LEDs while optimising lumens output. Removable LED boards for upgrading. CAD-optimised OLC® One LED Concept optics for superior illumination and glare control.

| | |
|---------------------------|-------------------------------|
| Weight | 9.50 kg |
| Light distribution | asymmetric, side throw [S65] |
| Light source | LED-18/54W / 1050 mA - 4000 K |
| CRI | 80 |
| Power supply | EC |
| LEDs | 18 |
| Rated input power | 59 W |
| Nominal Lumen (lm) | |
| LED Lumen | 450 |
| Total Lumen | 8100 |
| Tj | 85 |
| Rated lumens (lm) | |
| LED Lumen | 360.6 |
| Total Lumen | 6490.7 |
| Ta | 25 |



Specifications

Material description

| | |
|----------------------|---|
| Body | Marine-grade, die-cast aluminium alloy |
| Lens | Safety glass lens, hinged |
| Colours | <div style="display: flex; align-items: center;"> <div style="width: 20px; height: 15px; background-color: black; margin-right: 5px;"></div> RAL9004 Signal black </div> <div style="display: flex; align-items: center;"> <div style="width: 20px; height: 15px; background-color: grey; margin-right: 5px;"></div> RAL9007 Grey aluminium </div> <div style="display: flex; align-items: center;"> <div style="width: 20px; height: 15px; background-color: #333; margin-right: 5px;"></div> RAL7016 Anthracite grey </div> <div style="display: flex; align-items: center;"> <div style="width: 20px; height: 15px; background-color: white; margin-right: 5px;"></div> RAL9016 Traffic white </div> |
| Gasket | Silicone CCG® Controlled Compression Gasket |
| Fasteners | PCS hardware |
| Ingress protection | IP66 |
| Impact resistance | IK08 |
| Corrosion resistance | 5CE |

Electrical description

| | |
|------------------|---|
| Driver / Ballast | Integral EC electronic converter in thermally-separated compartment |
|------------------|---|

108-7754

FLA441 LED Wall bracket

we-ef

Additional information

WE-EF LIGHTING (Thailand) Co., Ltd.

57 Moo 5, Kingkaew Rd., Bangplee, 10540 Samutprakarn - Phone: +66 2 738 96 20 - Fax: +66 2 738 96 29

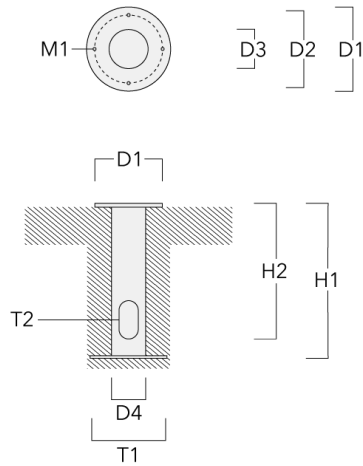
<https://we-ef.com/asia>

Subject to technical changes and errors. - Generated on 15/08/2025

Mounting Accessories

Planted root

| Description | Part ID | D1 | D2 | D3 | D4 | H1 | H2 | M1 | T1 | T2 | Weight (kg) |
|-------------------|----------|-----|-----|----|----|-----|-----|----|-----|----------|-------------|
| Planted root ESV4 | 300-9100 | 175 | 150 | 60 | 89 | 400 | 350 | 10 | 200 | 50 x 100 | 4.00 |



Universal mounting flange

| Description | Part ID | D1 | D2 | M1 | Weight (kg) |
|---------------------------------|----------|-----|-----|----|-------------|
| Universal mounting flange UMF20 | 310-9110 | 180 | 150 | 12 | 0.90 |

