



WE-EF LEUCHTEN

Installation and Maintenance Instructions

Inground Luminaire

ETC330-FS

EVC330-FS

ETC340-FS

EVC340-FS

ETC330-FS CC

EVC330-FS CC

ETC340-FS CC

EVC340-FS CC

ETC330-FS TW

EVC330-FS TW

ETC340-FS TW

EVC340-FS TW



Do not open during installation

This product is factory-sealed.

Refer to the instructions contained in this document for details.



Surge Protection

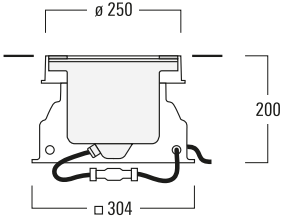
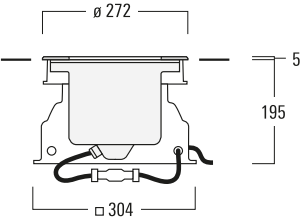
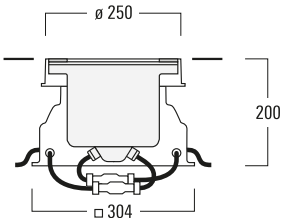
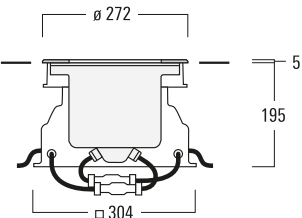
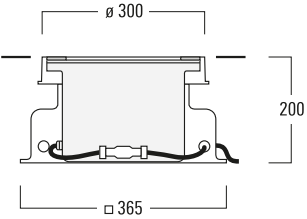
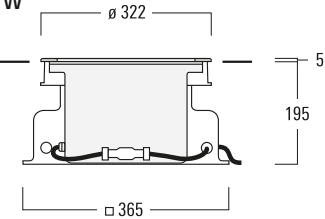
This product features built-in surge protection circuitry in compliance with applicable standards.

For comprehensive protection of a luminaire installation against lightning and electrical surges, it is essential to cover mains supply and data input lines at the distribution board level, by using respective primary (Type 1) and secondary (Type 2) surge arrestors in compliance with EN61643-11/IEC61643-1.

Warning

Ensure that all required surge protection measures are in place and activated prior to luminaire installation. Also, disconnect luminaires before operating high-power devices such as, for example, electrical arc welders.

Inground Luminaire

<p>ETC330-FS ETC330-FS TW</p> 	<p>EVC330-FS EVC330-FS TW</p> 
<p>ETC330-FS CC*</p> 	<p>EVC330-FS CC*</p> 
<p>ETC340-FS ETC340-FS CC* ETC340-FS TW</p> 	<p>EVC340-FS EVC340-FS CC* EVC340-FS TW</p> 

IP69, Class I, $t_a = 40^\circ\text{C}$

Accessories:

DMX Wireless*

RF	for ETC/EVC330-FS CC	430-0018
RF	for ETC/EVC340-FS CC	430-0018



Light Source

LED

Maintenance

Apart from cleaning the product's exterior surfaces, no special maintenance work is required.

Do not use high-pressure cleaners.

In case of component failure due to abnormal circumstances or at end of life, replacement must be carried out by a suitably qualified and trained professional.

Warning: Do not open luminaire while mains supply is switched on.

For operation as colour changer the inground of the ETC/EVC300-FS CC series require a DMX control signal (DALI on request). The operation without control signal may lead to error.

For operation with Tunable White, a DALI DT8 controller is required.

Installation

The product must be installed and maintained by a suitably qualified professional in compliance with latest building/construction and/or electrical regulations and relevant legislation.

Warning: Switch off mains electrical supply prior to installing and connecting the luminaire.

Notice: If the luminaire is modified by anybody other than the original manufacturer, then the warranty will no longer be valid and shall become the full responsibility of the modifying person/organisation. Claims based on defects attributable to improper installation and/or application, and the consequences thereof, are excluded.

The installation on site must comply with local and/or national health and safety regulations.

Installation Methods

Attention: The luminaire is factory-sealed and does not need to be opened during installation.

For proper installation, use the supplied installation blockout.

Phase One

Blockout Installation Procedure

- 1) Ensure that proper drainage is provided for the shown installation methods:
 - a) In landscape/paved areas, sand or concrete with gravel base (Fig. I).
 - b) With fully concreted installation, drainage piping must be provided (Fig. II).

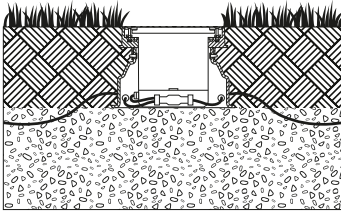


Fig. I

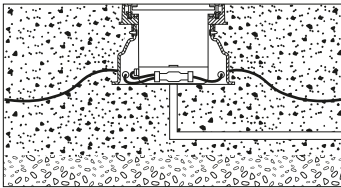
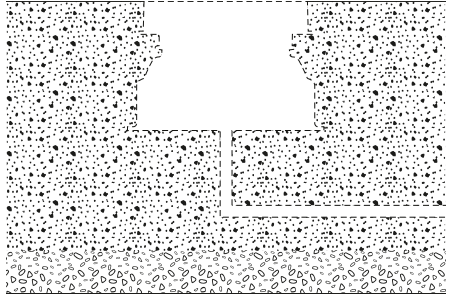


Fig. II

- 2) Ensure a suitable recess.



- 3) Test drainage (ensure water drains within 30 mins, **Warning:** warranty void if luminaire installed without appropriate drainage)

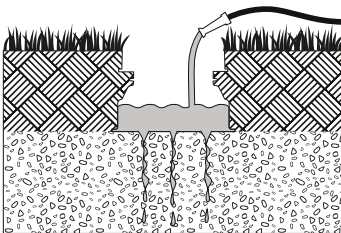


Fig. I

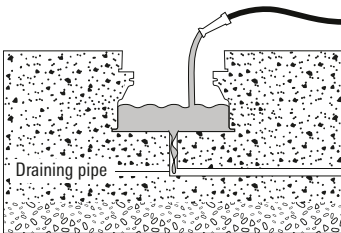
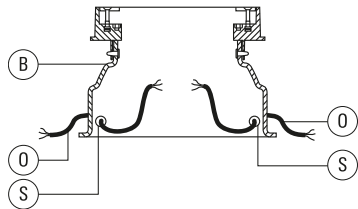
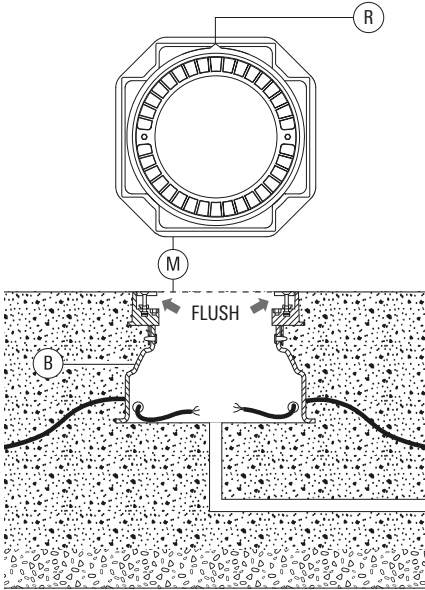


Fig. II

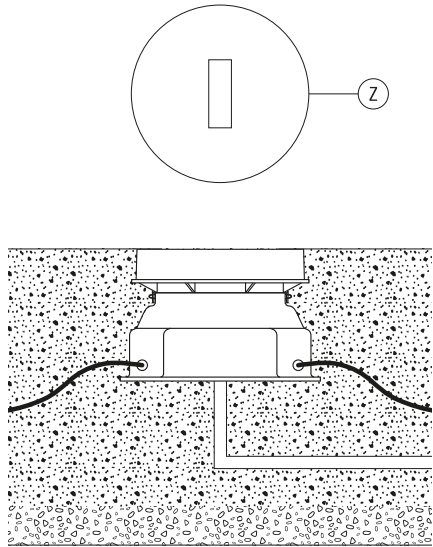
- 4) Select appropriate installation blockout holes S for mains supply cable(s) O and data cable(s) if necessary.



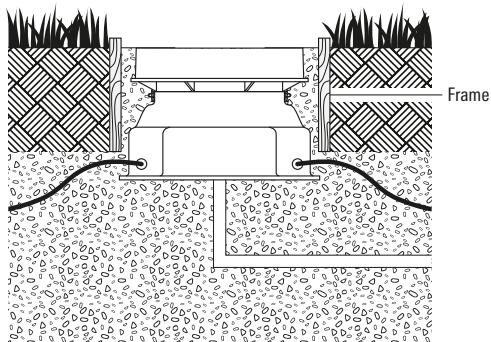
- 5) Set mounting ring B/M in position. Arrow R on mounting ring M is pointed towards the object to be illuminated (wall, tree, column).



- 6) Replace blackout cover Z prior to luminaire installation to prevent tripping hazard and concrete or dirt from getting into blackout.

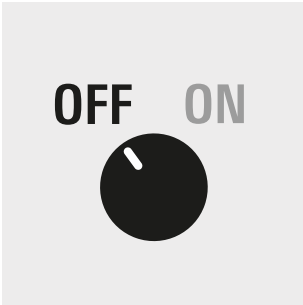


- 7) Framing should be installed to prevent vegetation from growing over the lens.

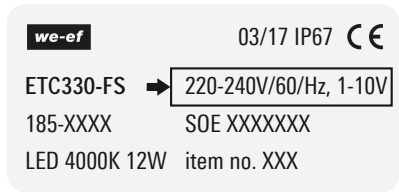


Phase Two
Luminaire Installation and Electrical Connection

8) Switch off mains electrical supply.



9) Check that rating shown on luminaire label conforms with mains electrical supply.



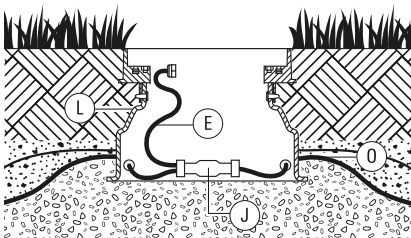
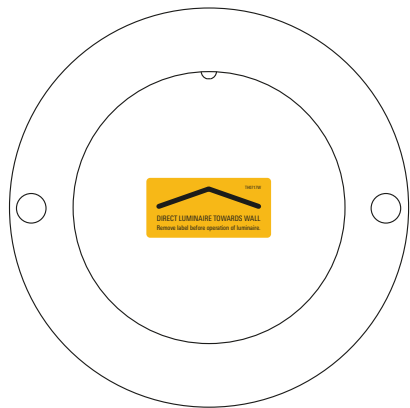
(example)

10) Terminate cable E and mains supply cable O in sealable junction box J and connect leads to respective terminals:

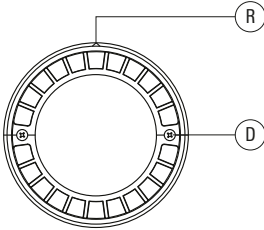
- a) ON/OFF or wireless (L = Phase, N = Neutral, ⊕ = Earthing)
 - b) 1-10 V/DALI (L = Phase, N = Neutral, ⊕ = Earthing, DA/DA = DALI control line, D-/D+ = 1-10 V control line).
 - c) DMX: for ETC330/EVC330 refer to separate T09259W wiring instruction for DMX cable and for ETC340/EVC340 refer to separate T09256W wiring instruction for hybrid DMX cable.
- Please refer to instruction inside SJB packaging.

For operation with Tunable White, a DALI DT8 controller is required.

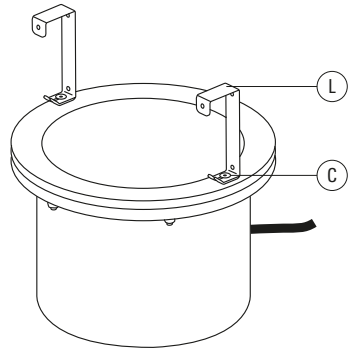
For wallwash illumination only
 Ensure the arrow indicated on the sticker is facing the illuminated surface.



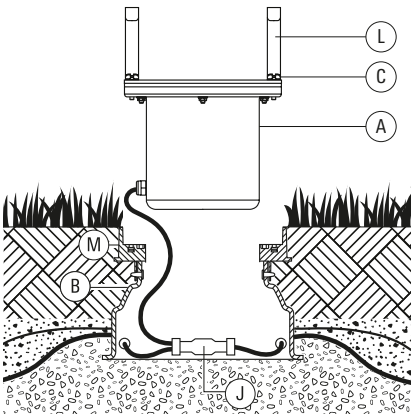
11) Peel-off stickers on fixing thread holes D.



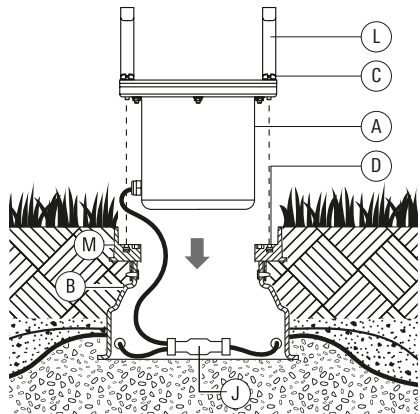
12) Loosen countersunk screws C (do not turn out). Insert mounting lever L between head of countersunk screws C and cover lens.



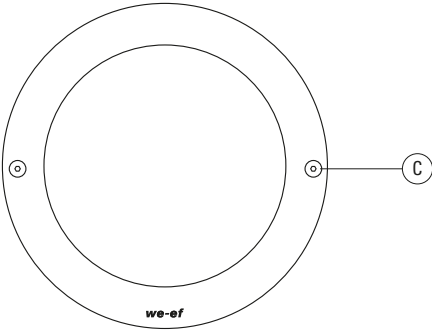
13) Set cables and sealable junction box J inside installation blackout/mounting ring assembly B/M.



14) Place housing A into installation blackout/mounting ring assembly B/M while aligning holes D on mounting ring M.



15) Remove lever L and tighten countersunk screws C 'hand-tight'.



we-ef

www.we-ef.com

WE-EF LEUCHTEN

Germany

Tel +49 5194 909 0

Fax +49 5194 909 299

info.germany@we-ef.com

WE-EF LIGHTING

Thailand

Tel +66 2 738 9610

Fax +66 2 175 2174

info.asiapacific@we-ef.com

WE-EF LUMIERE

France

Tel +33 4 74 99 14 44

Fax +33 4 74 99 14 40

info.france@we-ef.com

WE-EF LIGHTING

Australia

Tel +61 3 8587 0444

Fax +61 3 8587 0499

info.australia@we-ef.com

WE-EF HELVETICA

Switzerland

Tel +41 22 752 49 94

Fax +41 22 752 49 74

info.switzerland@we-ef.com

WE-EF LIGHTING

United States of America

Tel +1 724 742 0030

Fax +1 724 742 0035

info.usa@we-ef.com

T09192W0221 © WE-EF 2020

Technical specifications are
subject to change.

WE-EF LEUCHTEN

Installation and Maintenance
Instructions

Wiring instruction for DMX cable



Installation

The product must be installed and maintained by a suitably qualified professional in compliance with latest building/construction and/or electrical regulations and relevant legislation.

The installation on site must comply with local and/or national health and safety regulations.

Installation Procedure

1) Scope of supply.

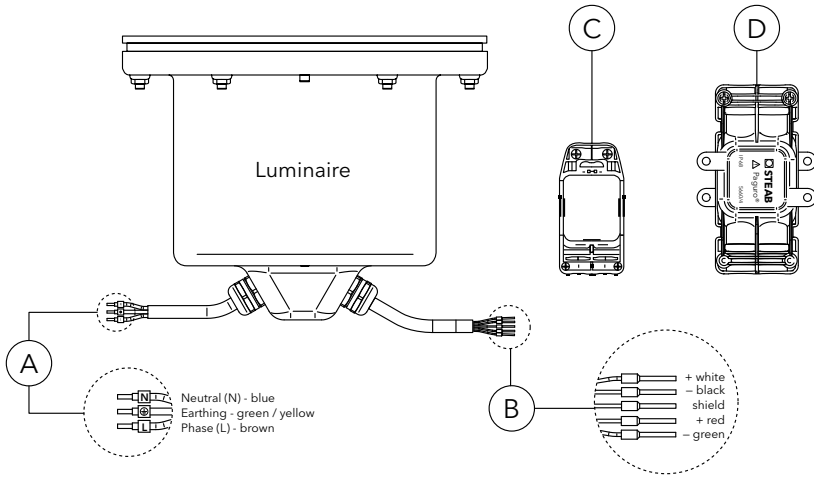
(illustrations are exemplary)

A: Power supply cable

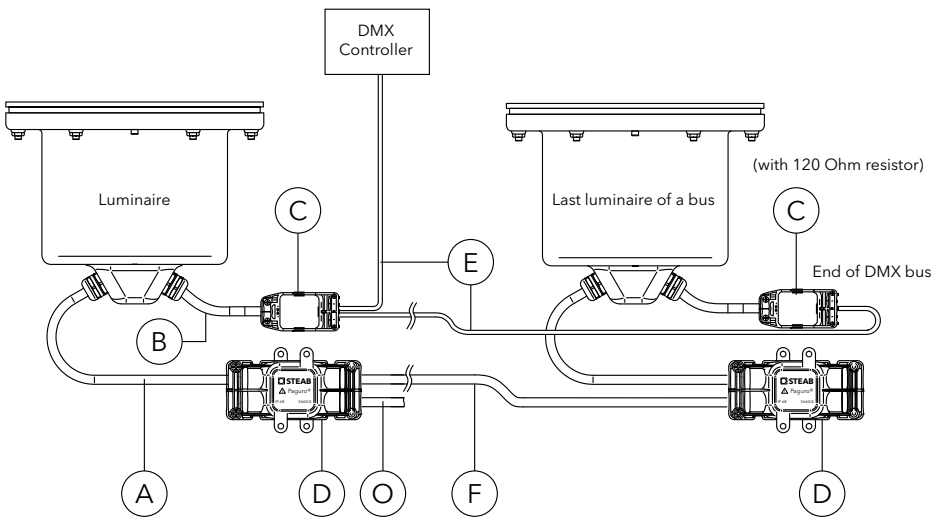
B: DMX data cable

C: Junction box for DMX data cables

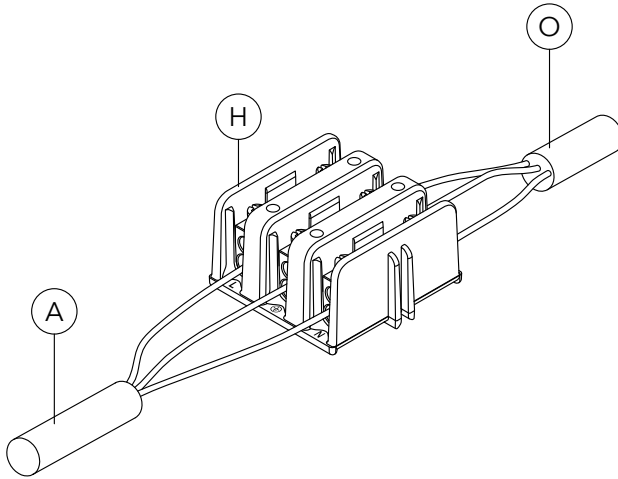
D: Junction box for power supply cable



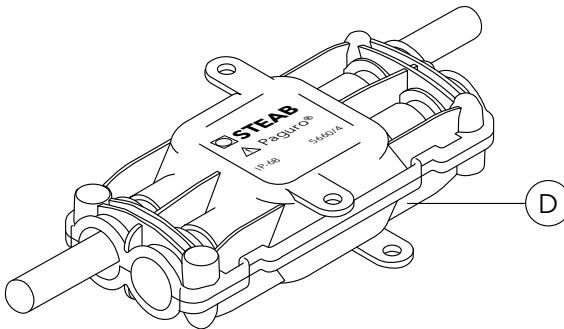
2) Overview.



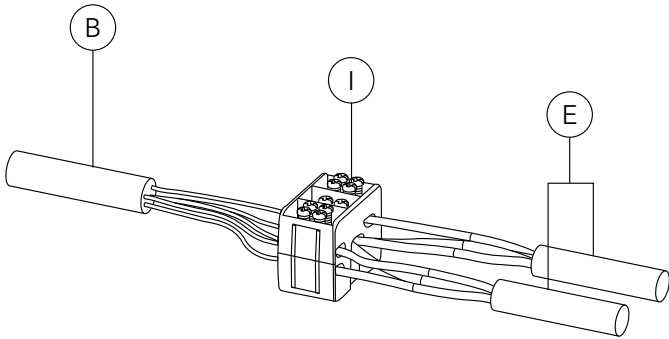
- 3) Connect luminaire's power supply cable **A** and main supply cable **O** (and second cable **F** for through wiring) to terminal block **H** within junction box **D**: L = Phase, N = Neutral, \oplus = Earthing.
Attention: Refer to additional information packed with junction box **D** (shown wiring is exemplary only).



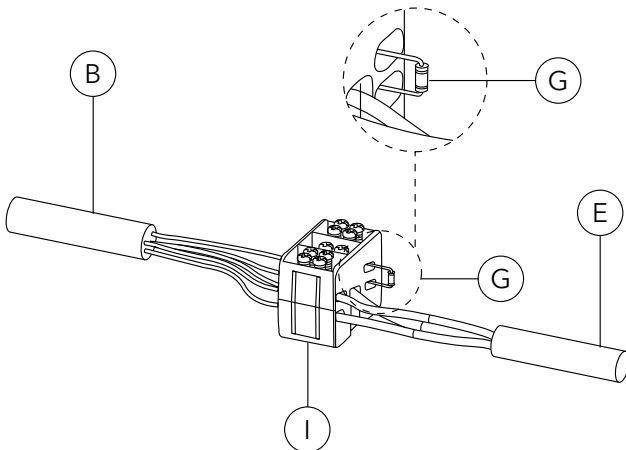
- 4) Ensure cables do not cross and that cable sheaths are contained with gel.
Tighten 4 screws.



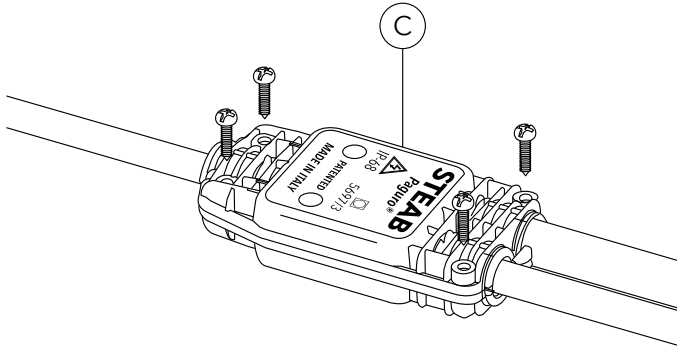
- 5) Connect luminaire's DMX data cables **B** and external DMX cables **E** to terminal block **I** within junction box **C**: White = DMX+, Red = DMX-, Shield. Use cord-end terminals for DMX wires.
- Attention:** Refer to additional information packed with junction box **C** (shown wiring is exemplary only).



- 6) At the end of each DMX bus: DMX must be terminated by connecting 120 ohm resistor **G** (placed on each junction box **C** by adhesive type) between DMX+ and DMX- on terminal block **I** in junction box **C**.



- 7) Ensure cables do not cross and that cable sheaths are contained with gel.
Tighten 4 screws.



- 8) Test electrical system before burying cables.

we-ef

www.we-ef.com

WE-EF LEUCHTEN

Germany

Tel +49 5194 909 0

Fax +49 5194 909 299

info.germany@we-ef.com

WE-EF LUMIERE

France

Tel +33 4 74 99 14 44

Fax +33 4 74 99 14 40

info.france@we-ef.com

WE-EF HELVETICA

Switzerland

Tel +41 22 752 49 94

Fax +41 22 752 49 74

info.switzerland@we-ef.com

WE-EF LIGHTING

Thailand

Tel +66 2 738 9610

Fax +66 2 175 2174

info.asiapacific@we-ef.com

WE-EF LIGHTING

Australia

Tel +61 3 8587 0444

Fax +61 3 8587 0499

info.australia@we-ef.com

WE-EF LIGHTING

United States of America

Tel +1 724 742 0030

Fax +1 724 742 0035

info.usa@we-ef.com

TO9259W0924 © WE-EF 2024

Technical specifications are
subject to change.