

Safety Notice

The manufacturer is discharged from liability when damage is caused by improper use or installation.

If any luminaire and/or accessory is subsequently modified, the persons responsible for the modification shall be considered as manufacturer.

Product Information / Surge Protection

As an option, this luminaire can also be fitted with a surge protector of Type 2-3 (at the time of order). The technical data can be found directly on the installed device. If the surge protector has been triggered by an adverse event, the luminaire is automatically disconnected from the mains. In that case, the LED on the surge protector no longer lights up.

For comprehensive protection of the luminaire against lightning and electrical surges, primary (Type 1) and secondary (Type 2) surge arrestors must be installed into the power supply. We recommend a combination arrestor (Type 1+2+3), which is installed in the control cabinet.

The technical planner/installer is responsible for the proper selection, sizing and installation of the surge protection modules that must be provided on site. Please note the various protection levels for Class I and II, as well as the applicable statutory provisions regarding surge protection. Installation and maintenance may only be performed by a qualified electrician.



WE-EF LIGHTING

Installation and
Maintenance Instructions for
Bollards

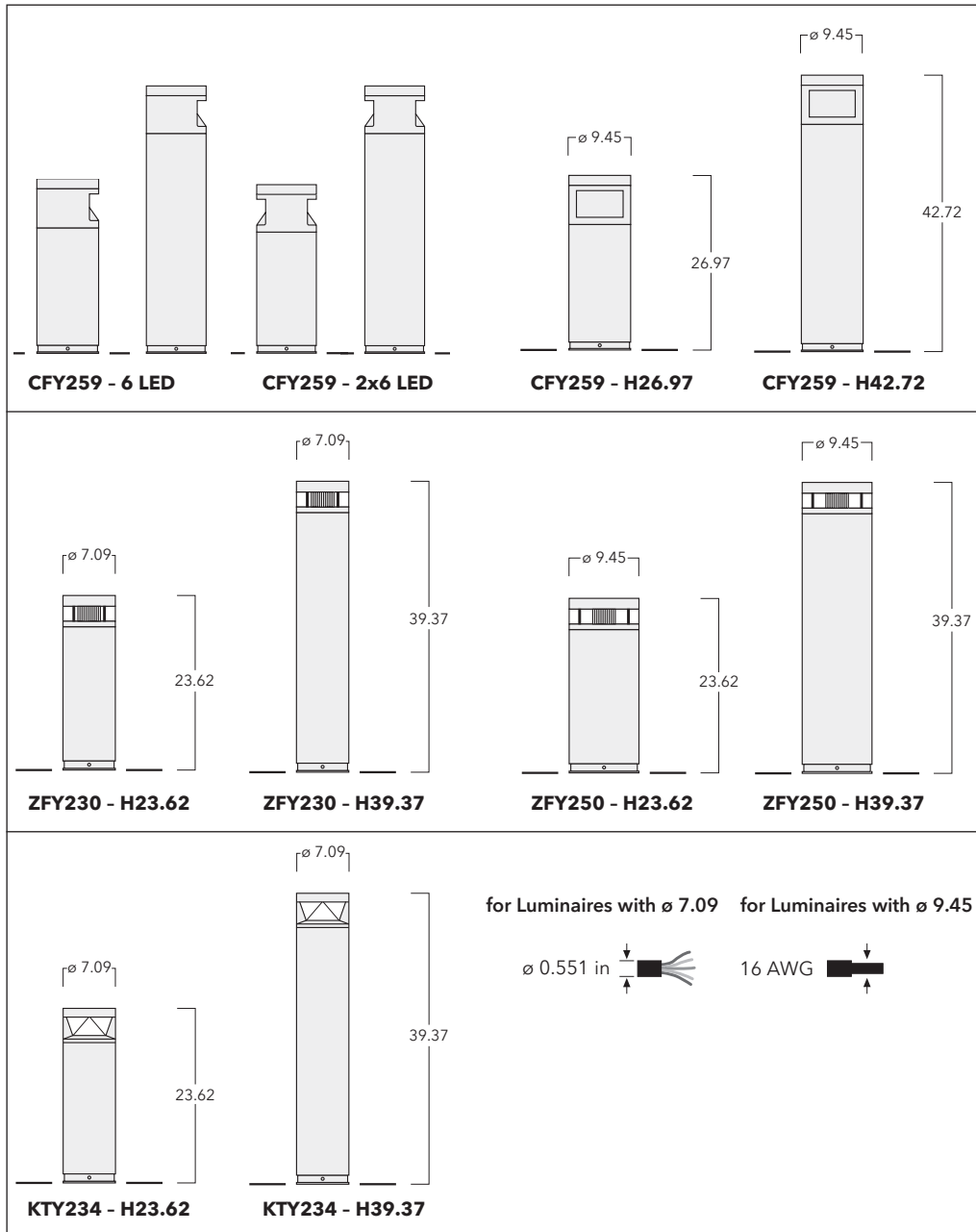
CFY200 Series

KTY200 Series

ZFY200 Series

Bollards

IP66, IK10



Light source

CFY259

6 LED 12W - 700 mA* / 18W - 1050 mA*
2 x 6 LED 24W - 700 mA* / 36W - 1050 mA*

ZFY230 / ZFY250

LED-FT 12W - 350 mA*
LED-FT 17 W - 500 mA*
LED-FT 24W - 700 mA*

Class I, II, ta = 25°C

KTY234

3 LED 9W - 1050 mA*
3 LED 13W - 1400 mA*
6 LED 18W - 1050 mA*
6 LED 36W - 1400 mA*

* Nominal power, for latest data refer to www.we-ef.com

Tools required

- Screwdriver TX25
- Screwdriver TX40
- Screwdriver Philips size 2

- Screwdriver with blade 3x1
- 13 mm wrench

Mounting Accessories

Planted root - Galvanised steel.

ESV4	for KTY234 / ZFY230	300-0461	7.1 lb
ESV4	for CFY259 / ZFY250	300-0464	9.7 lb

Optical Accessories**

IL-180	Cut-off shield for KTY234	114-9185
IL-180	Cut-off shield ZFY230 / ZFY250	117-0228

** please specify when ordering

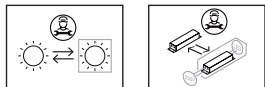
Table 1
Connecting EK

	ON/OFF	0-10V	Basic	Advanced
L	X	X	X	X
N	X	X	X	X
⊕ *	X	X	X	X
D +	-	X	-	-
D -	-	X	-	-
L 2	-	-	X	-

* not available in class II

Table 2
Torque

Screw	Torque	
M4	max.	2.0 Nm (17.7 in-lb)
M5	max.	4.0 Nm (35.4 in-lb)
M6	max.	6.0 Nm (53.1 in-lb)
M8	max.	15.0 Nm (132.8 in-lb)
M16	max.	100.0 Nm (885.1 in-lb)



Maintenance

Apart from cleaning the product's exterior surfaces, no special maintenance work is required. Do not use high-pressure cleaners.

In case of component failure due to abnormal circumstances or at end of life, replacement must be carried out by a suitable and trained professional.

Protect our environment: Discard used LEDs in compliance with the most recent environmental legislation.

Warning

Do not open luminaire while mains electrical supply is switched on. ⚡

fig. 1

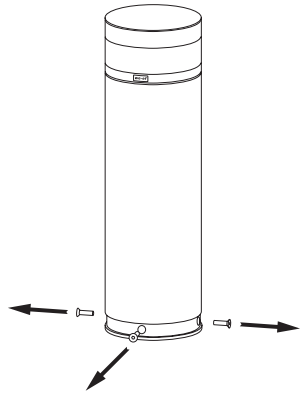


fig. 2

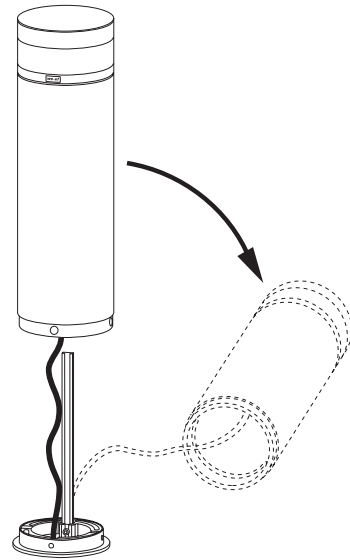


fig. 3

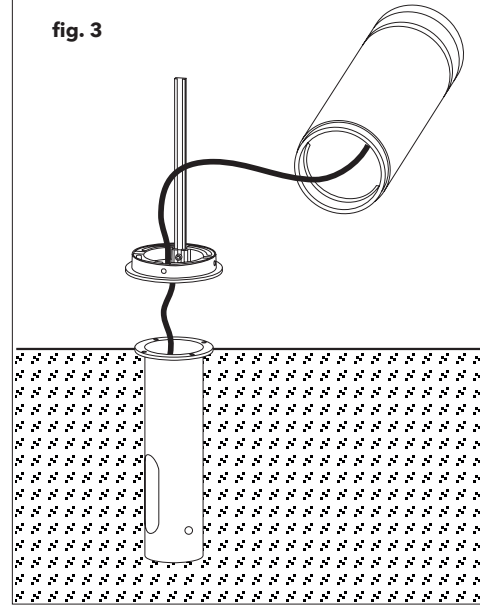


fig. 4

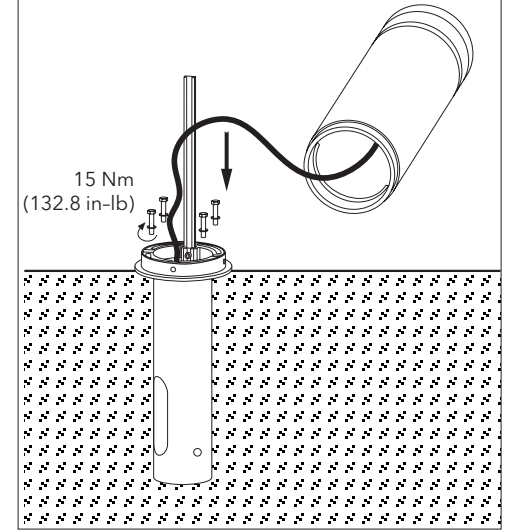


fig. 5

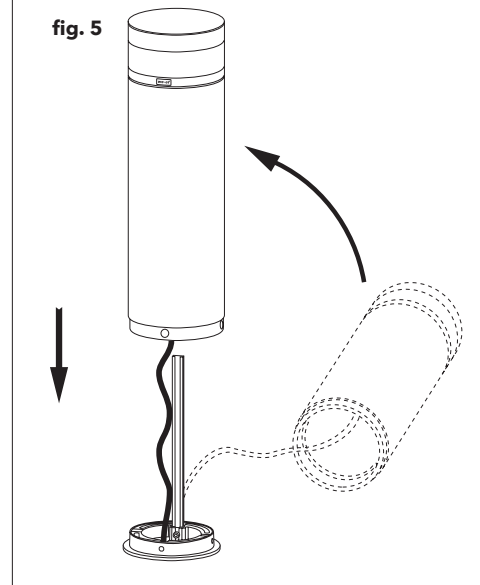


fig. 6

