

Safety Notice

The manufacturer is discharged from liability when damage is caused by improper use or installation.

If any luminaire and/or accessory is subsequently modified, the persons responsible for the modification shall be considered as manufacturer.

we-ef

WE-EF LIGHTING

Installation and
Maintenance Instructions for
Surface mounted exterior
downlights

DAC110 LED

DAC120 LED



we-ef

A Fagerhult Group Company

WE-EF LIGHTING USA

Tel +1 724 742 0030

info.usa@we-ef.com

we-ef.com

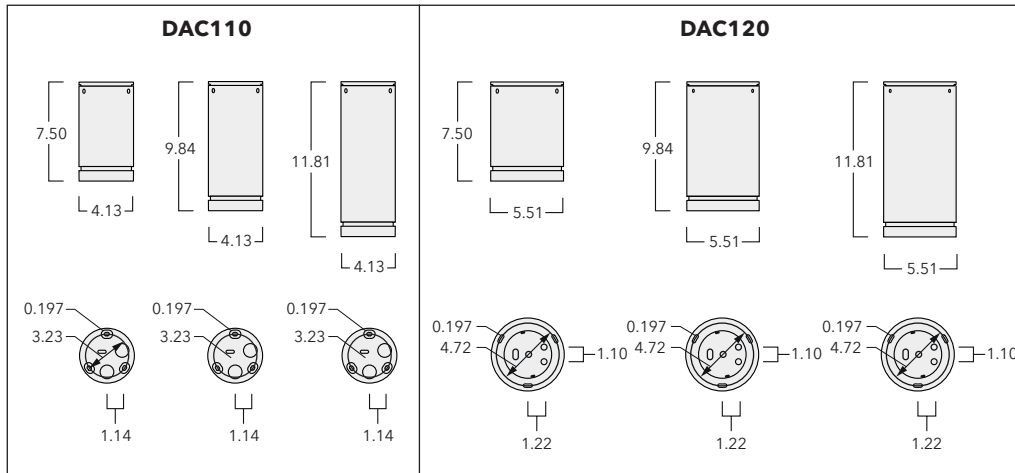
DAC110/120_LED_070622 / 006-1687

Technical specifications are subject to change.

© WE-EF 2022

Surface Mounted Exterior Downlights

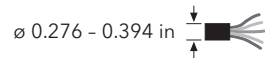
IP66, IK07



Light source

DAC110 6 LED 12W*
 DAC120 12 LED 24W*

* Nominal power, for latest data refer to
www.we-ef.com



max. 2 x 16 AWG /
 1 x 14 AWG

Class I, ta = 25 °C

Weight

DAC110, H 7.50	4.4 lb
DAC110, H 9.84	5.1 lb
DAC110, H 11.81	5.7 lb
DAC120, H 7.50	5.7 lb
DAC120, H 9.84	6.6 lb
DAC120, H 11.81	7.3 lb

Tools required

- Screwdriver with 3.0 mm x 0.8 mm blade
- Torx key TX15 / TX20
- 21 mm wrench
- Allen key 2,5 mm / 3 mm

Installation

The product must be installed and maintained by a suitably qualified professional in compliance with latest building/construction and/or electrical regulations and relevant legislation.

Notice: If the luminaire is modified by anybody other than the original manufacturer, then the warranty will no longer be valid and shall become the full responsibility of the modifying person/organisation. Claims based on defects attributable to improper installation and/or application, and the consequences thereof, are excluded.

In case of component failure, LED replacement due to abnormal circumstances or at end of life,

replacement must be carried out by a suitably qualified and trained professional.

In case of questions please contact our technical hotline: +1 724 742 0030 (from Monday - Friday from 08.00 until 16.00 hours).

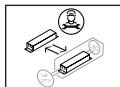
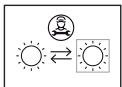
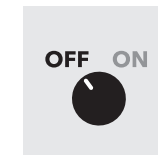
Maintenance

Apart from cleaning the product's exterior surfaces, no special maintenance work is required. Do not use high-pressure cleaners.

Protect our environment: Discard used LEDs in compliance with the most recent environmental legislation.

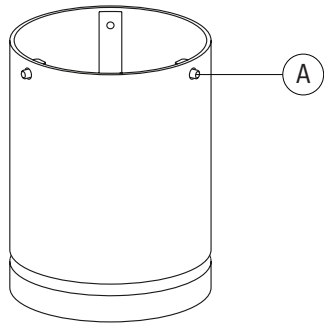
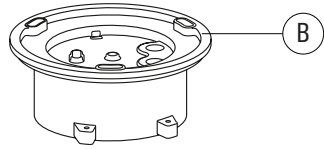
Installation Procedure

- 1) Switch off the mains electrical supply. ⚡

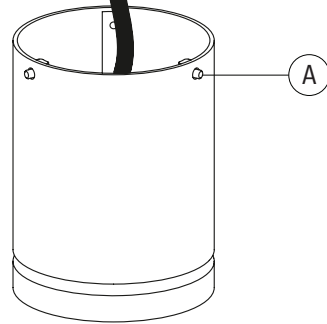
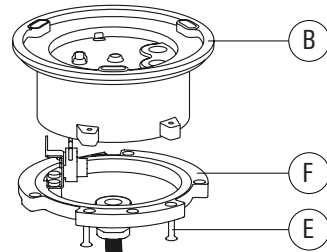


2) Loosen threaded pins **A** and pull ceiling mount section **B** upwards.

For H250 and H300: Additionally loosen the fastening screws **E** from cover **F** and remove cover **F** from the ceiling mounting **B**.



DAC110/120
H190



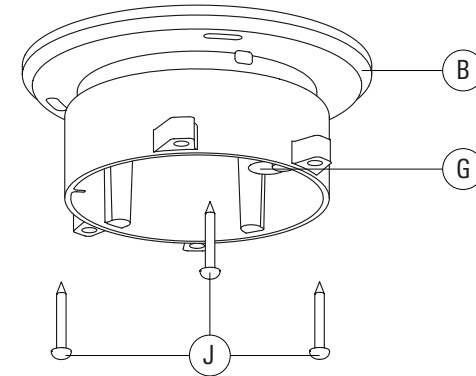
DAC110/120
H250 and H300

3) Prepare the mounting surface, guide the connection line through the cable glands/cable bushings **G** and fasten the ceiling mount section **B** to the ceiling with the screws **J**.

Fixture should be anchored into a structural element, if not anchored directly to recessed junction box.


For DAC120: If the second cable gland is not used, take the blind plugs from the accessory pack.

ATTENTION: Please ensure that no electrical cables, water pipes or other devices are damaged while drilling.



- 4) Check that rating shown on luminaire label conforms with mains electrical supply.

(example)

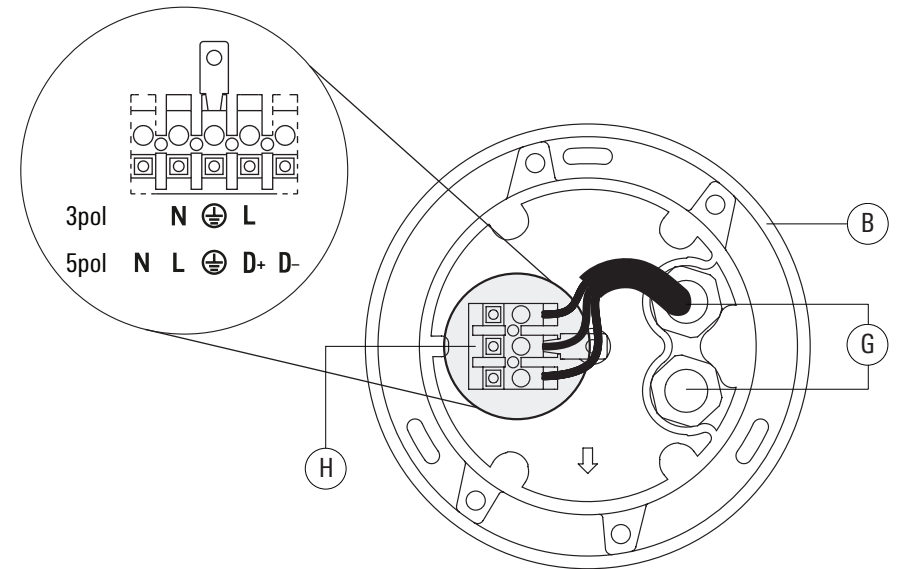
we-ef 12/18 IP66 
DAC100-LED 120-277V / 60 Hz
131-XXXX → SOE XXXXXXX
LED 3000K 18W item no. XXX

- 5) Connect the power supply line (s) to the corresponding positions on terminal **H**.

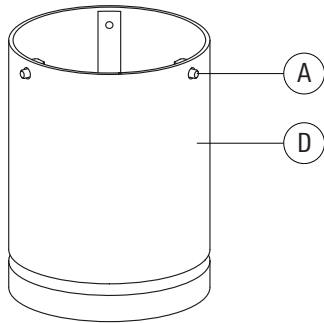
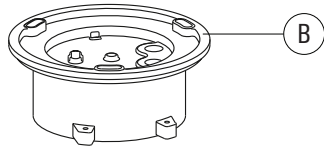
a) **ON / OFF** (L = phase, ⊕ protective conductor, N = Neutral conductor)

b) **0-10V** (L = phase, N = neutral conductor, ⊕ = protective conductor, D- / D+ = 1-10V control line)

For DAC120: Tighten the cable glands **G**.

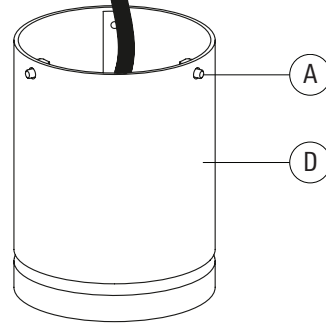
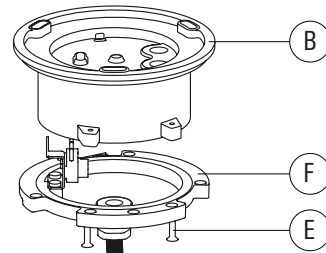


6) Place the lower part of the luminaire housing **D** on the ceiling mount section **B**, make sure that the connector makes contact and tighten the threaded pins **A** firmly.



DAC110/120
H 7.50

For H250 und H300: Fix cover **F** so that the connector comes into contact and tighten the screws **E** firmly. Place the lower part of the luminaire housing **D** on the ceiling mount section **B** and tighten the threaded pins **A** firmly.



DAC110/120
H 9.84 and H 11.81

7) When using a diffusion lens IO-180, the light distribution must be observed during installation!
(See image)

