

**Safety Notice**

The manufacturer is discharged from liability when damage is caused by improper use or installation.

If any luminaire and/or accessory is subsequently modified, the persons responsible for the modification shall be considered as manufacturer.

**we-ef****WE-EF LIGHTING**

Installation and  
Maintenance Instructions for  
Surface mounted exterior  
downlights

**DAC140 LED****we-ef**

A Fagerhult Group Company

**WE-EF LIGHTING USA**

Tel +1 724 742 0030

info.usa@we-ef.com

**we-ef.com**

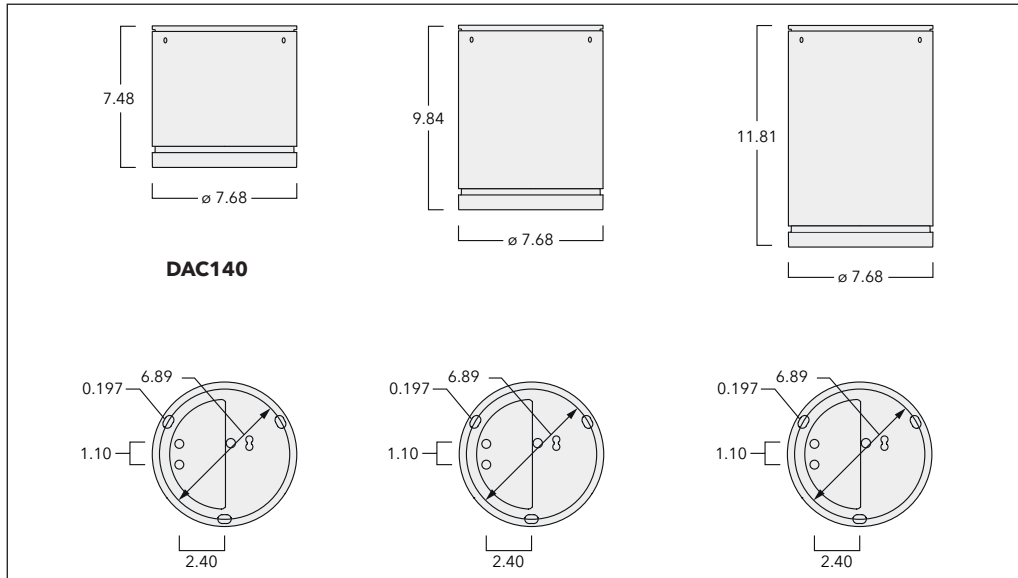
DAC140\_LED\_190522 / 006-1686

Technical specifications are subject to change.

© WE-EF 2022

## Surface Mounted Exterior Downlights

IP66, IK07



**DAC140**

### Light source

DAC140 ..... 24 LED 48W\*

Weight

\* Nominal power, for latest data refer to

DAC140, H 7.48 ..... 13.2 lb

[www.we-ef.com](http://www.we-ef.com)

DAC140, H 9.84 ..... 13.9 lb

Class I, ta = 25 °C

DAC140, H 11.81 ..... 14.6 lb

Ø 0.276 - 0.472 in 16 AWG

### Tools required

- Screwdriver with 3.0 mm x 0.8 mm blade
- 3 mm / 4 mm allen key
- 21 mm wrench

### Installation

The product must be installed and maintained by a suitably qualified professional in compliance with latest building/construction and/or electrical regulations and relevant legislation.

**Notice:** If the luminaire is modified by anybody other than the original manufacturer, then the warranty will no longer be valid and shall become the full responsibility of the modifying person/organisation. Claims based on defects attributable to improper installation and/or application, and the consequences thereof, are excluded.

In case of component failure, LED replacement due to abnormal circumstances or at end of life,

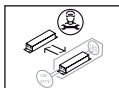
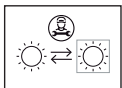
replacement must be carried out by a suitably qualified and trained professional.

In case of questions please contact our technical hotline: +1 724 742 0030 (from Monday - Friday from 08.00 until 16.00 hours).

### Maintenance

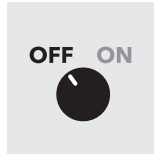
Apart from cleaning the product's exterior surfaces, no special maintenance work is required. Do not use high-pressure cleaners.

Protect our environment: Discard used LEDs in compliance with the most recent environmental legislation.

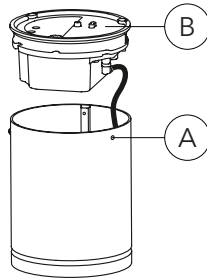


### Installation Procedure

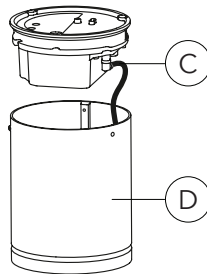
- 1) Switch off the mains electrical supply. ⚡



- 2) Loosen threaded pins **A** and pull ceiling mount section **B** upwards.




- 3) Loosen connector **C** and place to the side the lower part of the luminaire housing **D**.

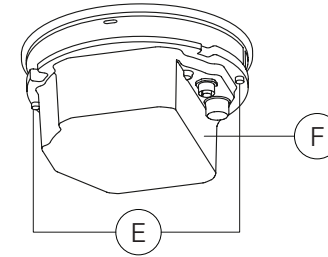


- 4) Check that rating shown on luminaire label conforms with mains electrical supply.

(example)

|                   |  |
|-------------------|--|
| <b>we-ef</b>      | 12/18 IP66  |
| <b>DAC100-LED</b> | 120-277 V / 60 Hz  |
| 131-XXXX ➔        | SOE XXXXXXXX   |
| LED 3000K 18W     | item no. XXX   |

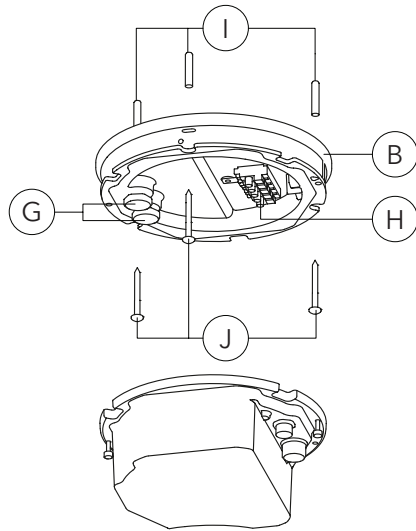
- 5) Loosen the two fastening screws **E** from the cover **F** and remove the cover **F** from the ceiling mount section.



6) Prepare the mounting surface, guide the connection line through the cable glands **G** and fasten the ceiling mount section **B** to the ceiling with the screws **J**. The pre-assembled sealing rings are suitable for cable diameters from 0.276 to 0.374 in. Use the supplied sealing rings for larger cable diameters (0.354 to 0.472 in).

Fixture should be anchored into a structural element, if not anchored directly to recessed junction box.

**ATTENTION:** Ensure not to damage any electric cable, water pipe or other devices while drilling holes.

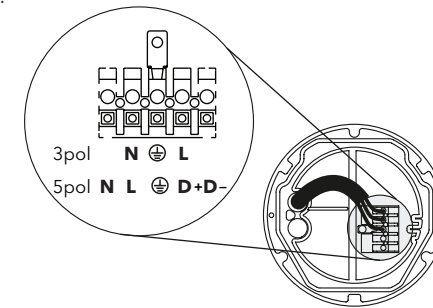


7) Connect the power supply line (s) to the corresponding positions on terminal **H**.

a) **ON / OFF** (L = phase, ⊕ = protective conductor, N = Neutral conductor)

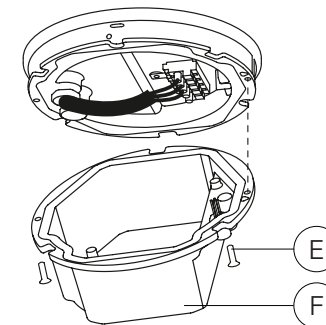
b) **0-10V** (L = phase, N = neutral conductor, ⊕ = protective conductor, D- / D+ = 0-10V control line)

Tighten the cable glands **G**.

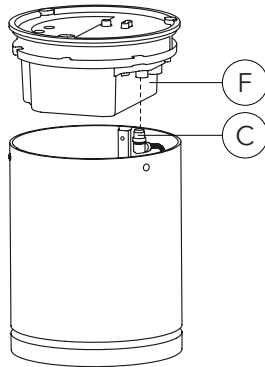


8) Reposition cover **F** tighten screws **E** firmly.

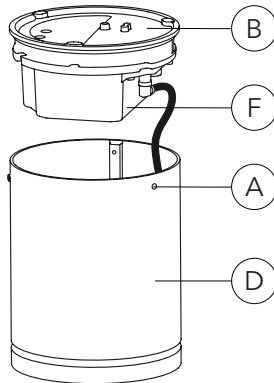
(Must be aligned on top of triangle marks  $\Delta$  between on cover and on ceiling mount section)



9) Attach connector **C** into socket on cover **F** and tighten screw.



10) Place the lower part of the luminaire housing **D** on the ceiling mount section **B** and tighten the threaded pins **A** max. 0.2 Nm (1.8 in-lb). The cable gland in the lower part of the luminaire and the plug connection in the cover **F** must be aligned on top of each other!



11) When using a linear lens, the light distribution must be observed during installation!  
(See image)

The arrow points to the wall to be illuminated, when using the IO-20-WW

