

Safety Notice

The manufacturer is discharged from liability when damage is caused by improper use or installation.

If any luminaire and/or accessory is subsequently modified, the persons responsible for the modification shall be considered as manufacturer.

we-ef

WE-EF LIGHTING

Installation and
Maintenance Instructions for
Surface mounted exterior
downlights

DAS100 PM LED



we-ef

A Fagerhult Group Company

WE-EF LIGHTING USA

Tel +1 724 742 0030

info.usa@we-ef.com

we-ef.com

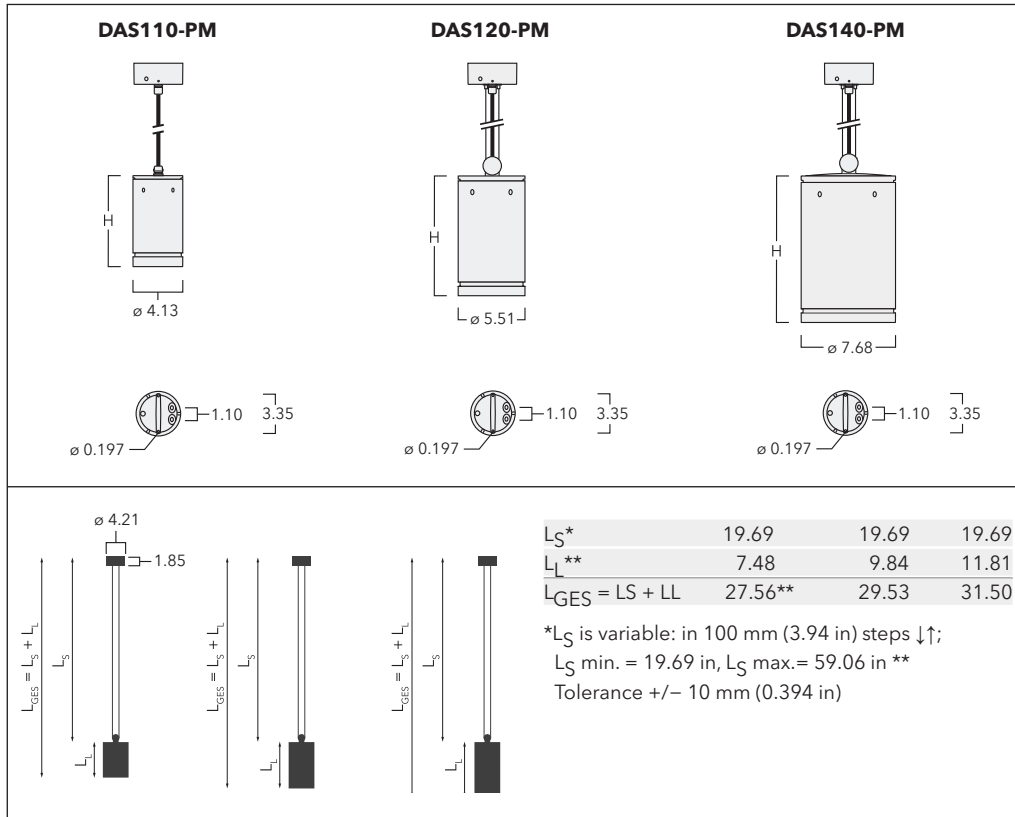
DAS100 PM_LED_190522 / 006-1688

Technical specifications are subject to change.

© WE-EF 2022

Surface Mounted Exterior Downlights

IP66, IK07



Tools required

- Screwdriver with 3.0 mm x 0.8 mm blade
- 21 mm wrench
- Torx key TX15 / TX20
- 3 mm Allen key

Installation

The product must be installed and maintained by a suitably qualified professional in compliance with latest building/construction and/or electrical regulations and relevant legislation.

Notice: If the luminaire is modified by anybody other than the original manufacturer, then the warranty will no longer be valid and shall become the full responsibility of the modifying person/organisation. Claims based on defects attributable to improper installation and/or application, and the consequences thereof, are excluded.

In case of component failure, LED replacement due to abnormal circumstances or at end of life,

replacement must be carried out by a suitably qualified and trained professional.

In case of questions please contact our technical hotline: +1 724 742 0030 (from Monday - Friday from 08.00 until 16.00 hours).

Maintenance

Apart from cleaning the product's exterior surfaces, no special maintenance work is required. Do not use high-pressure cleaners.

Protect our environment: Discard used LEDs in compliance with the most recent environmental legislation.

Light source

- DAS110-PM..... 6 LED 12W*
- DAS120-PM..... 12 LED 24W*
- DAS140-PM..... 24 LED 48W*

* Nominal power, for latest data refer to

www.we-ef.com

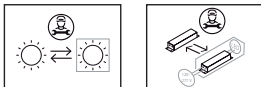
Class I, $t_a = 25^\circ\text{C}$

$\varnothing 0.276 - 0.394$ in

2 x 16 AWG /
1 x 14 AWG

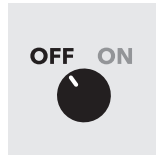
Weight

- DAS110-PM, H 7.48..... 5.1 lb
- DAS110-PM, H 9.84..... 5.7 lb
- DAS110-PM, H 11.81..... 6.4 lb
- DAS120-PM, H 7.48..... 6.4 lb
- DAS120-PM, H 9.84..... 7.1 lb
- DAS120-PM, H 11.81..... 7.7 lb
- DAS140-PM, H 7.48..... 13.2 lb
- DAS140-PM, H 9.84..... 14.3 lb
- DAS140-PM, H 11.81..... 15.4 lb

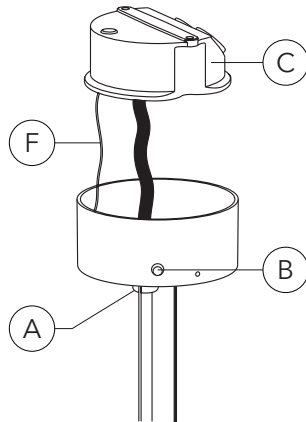


Installation Procedure

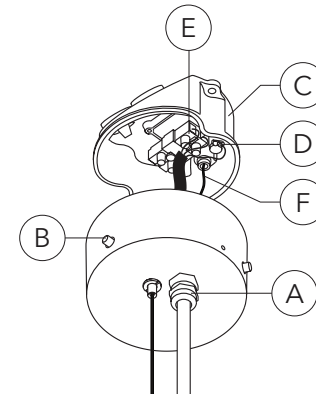
- 1) Switch off the mains electrical supply. ⚡



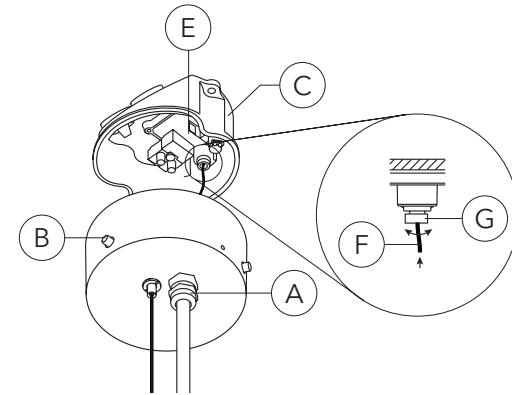
- 2) Loosen threaded pins **B** and pull ceiling mount section **C** upwards.



- 3) Disconnect earth cable **D** and terminal **E**.



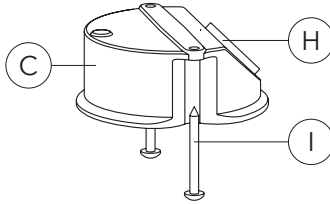
- 4) Detach lanyard **F** by loosening safety wheel **G**, push it up and pull lanyard out. Put the luminaire aside.



5) Prepare the mounting surface, guide connection line(s) through cable bushing(s) **H** and fixing ceiling mount section **C** to ceiling with screws **I**.

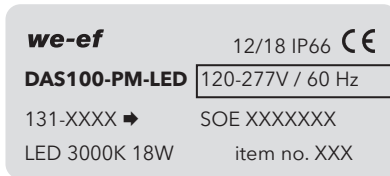
ATTENTION: Ensure not to damage any electric cable, water pipe or other devices while drilling holes.

Fixture should be anchored into a structural element, if not anchored directly to recessed junction box.



6) Check that rating shown on luminaire label conforms with mains electrical supply.

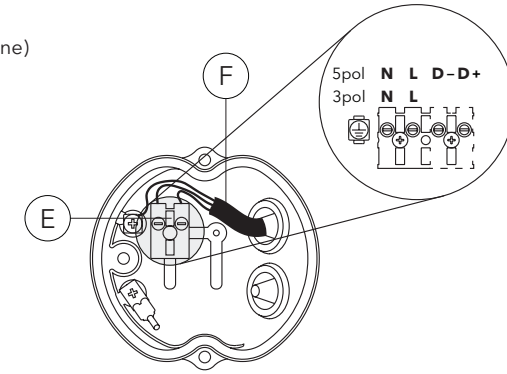
(example)



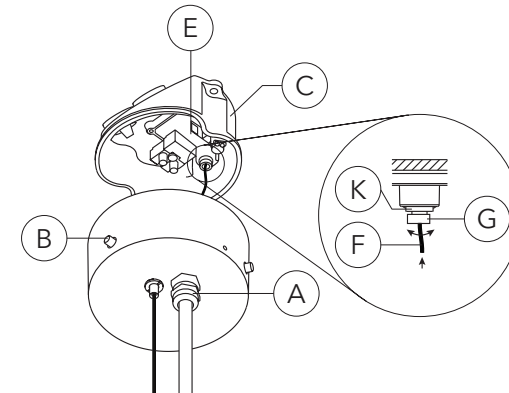
7) Connect the power supply line(s) to the corresponding positions on terminal **E**.

a) **ON / OFF** (L = phase, ⊕ protective conductor, N = Neutral conductor)

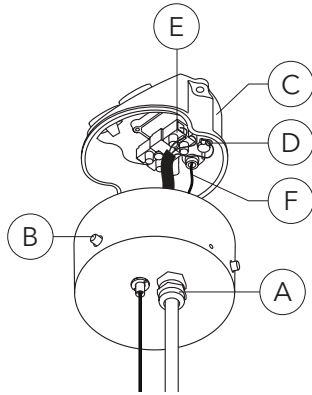
b) **0-10V** / (L = phase, N = neutral conductor, ⊕ = protective conductor, D- / D+ = 0-10V control line)



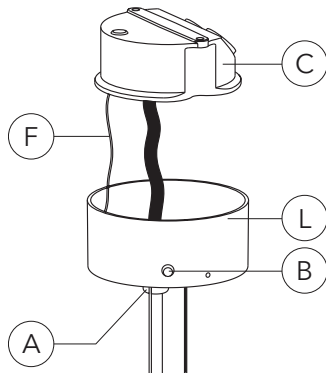
8) Attach lanyard **F** again by inserting lanyard **F** into wire rope holder **K** and turn safety wheel **G** firmly.



9) Fix on earth cable **D** and terminal **E**.



10) Place cover with luminaire **L** on ceiling mount section **C** and tighten threaded pins **B** firmly. (Note the mounting position!)



11) When using a diffusion lens IO-180, the light distribution must be observed during installation! (See image)

12) Loosen cable glands **A** only to adjust the height.

DAS110-PM

