

Safety Notice

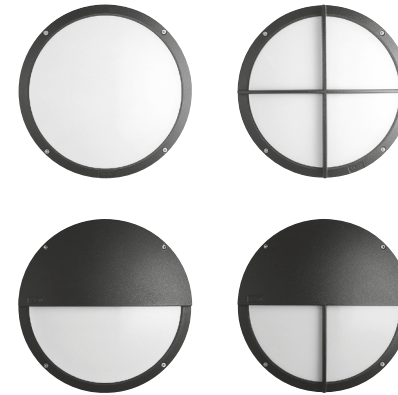
The manufacturer is discharged from liability when damage is caused by improper use or installation.

If any luminaire and/or accessory is subsequently modified, the persons responsible for the modification shall be considered as manufacturer.

we-ef

WE-EF LIGHTING

Installation and
Maintenance Instructions for
Wall luminaires
surface mounted
**DLO / DLG / DLS /
DLB200 LED Series**



we-ef

A Fagerhult Group Company

WE-EF LIGHTING USA

Tel +1 724 742 0030

info.usa@we-ef.com

we-ef.com

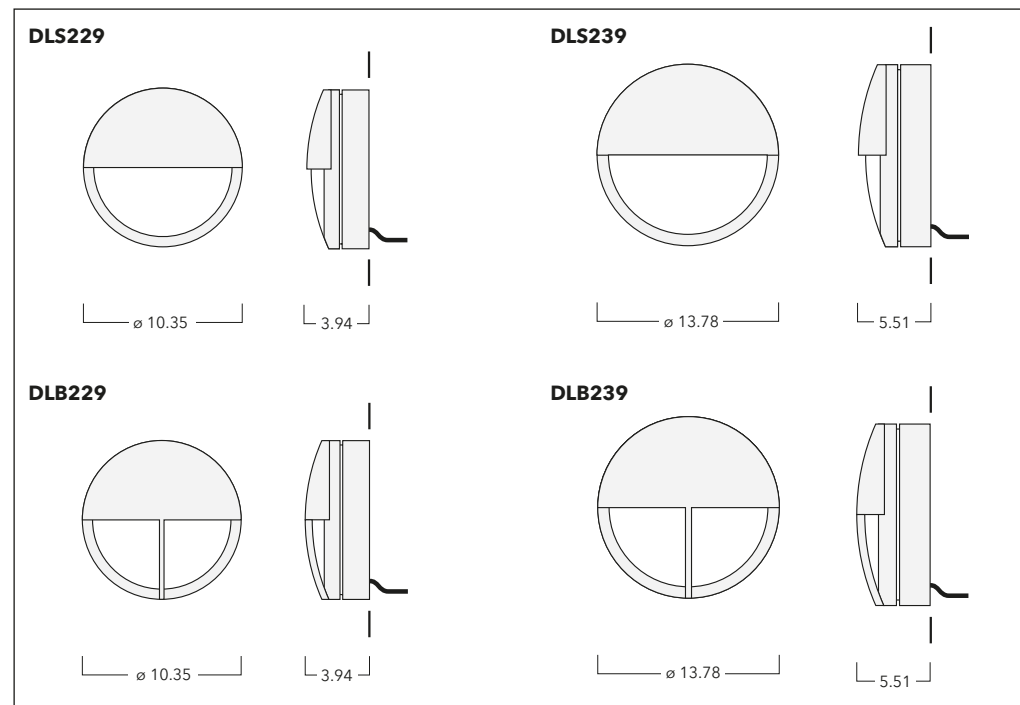
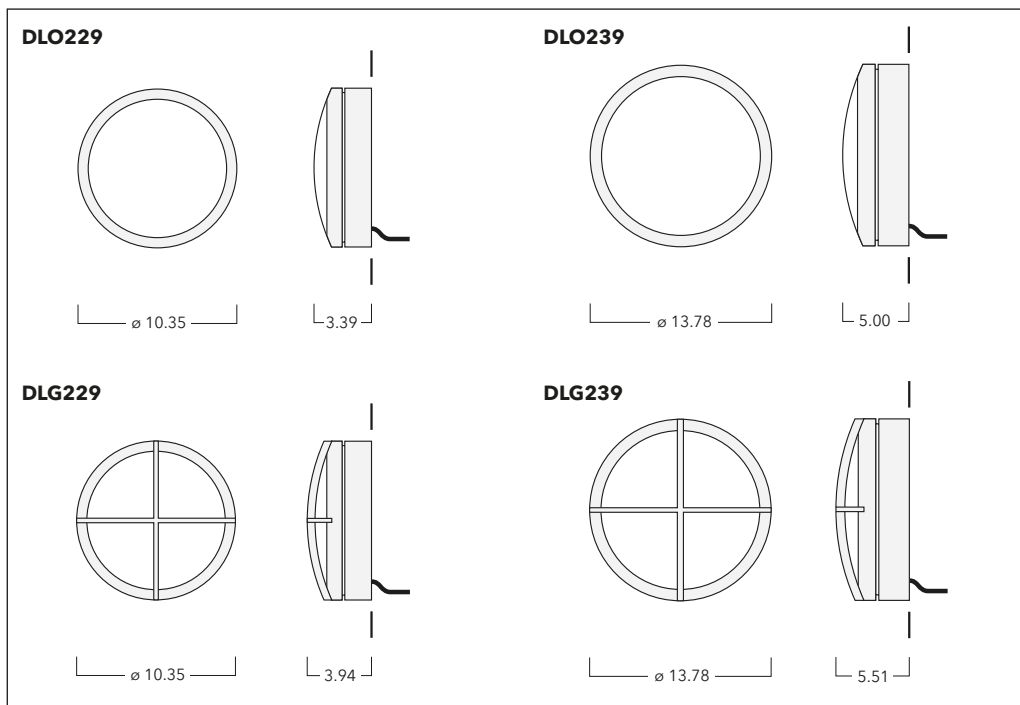
DL_200 LED_290722 / 006-1077

Technical specifications are subject to change.

© WE-EF 2022

Wall Luminaires surface mounted

IP55, IK10



Light Source

..... LED 13W / 28W*

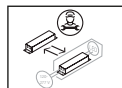
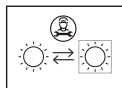
Class I, $t_a \leq 25\text{ }^\circ\text{C}$

* Nominal power, for latest data refer to
www.we-ef.com

max. 14 AWG 

Tools required

- 3 mm and 4 mm Allen keys
- Screwdriver TX25



Installation

The product must be installed and maintained by a suitably qualified professional in compliance with latest building/construction and/or electrical regulations and relevant legislation.

⚡ Attention: Do not open luminaire while mains supply is switched on.

Notice: If the luminaire is modified by anybody other than the original manufacturer, then the warranty will no longer be valid and shall become the full responsibility of the modifying person/organisation. Claims based on defects attributable to improper installation and/or application, and the consequences thereof, are excluded.

In case of component failure, LED replacement due to abnormal circumstances or at end of life, replacement must be carried out by a suitably qualified and trained professional.

In case of questions please contact our technical hotline: +1 724 742 0030 (from Monday - Friday from 08.00 until 16.00 hours).

Maintenance

Apart from cleaning the product's exterior surfaces, no special maintenance work is required. Do not use high-pressure cleaners.

Protect our environment: Discard used LEDs in compliance with the most recent environmental legislation.

- 2) Remove cover **A** by releasing the four screws **B**.
- 3) Check that rating shown on luminaire label conforms with mains electrical supply.

- 4) Determine positions for two fixing screws **C**. Drill relevant holes **D** and insert wall plugs **E**. Make sure not to damage any electric cable, water pipe or other devices while drilling holes.

Fixture is intended to be mounted over a UL listed junction box (not supplied by WE-EF), use provided wall plate to cover boxes larger than the outer dimensions of the luminaire.

- 5) Feed the mains supply cable **F** (and the second cable **G** for through wiring, if required), through the through hole at the rear of the housing while setting and fixing luminaire position.

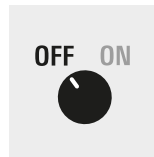
To fix the luminaire, pierce through the nylon plug **N** with screws **C**, and tighten (**Fig. 1**).

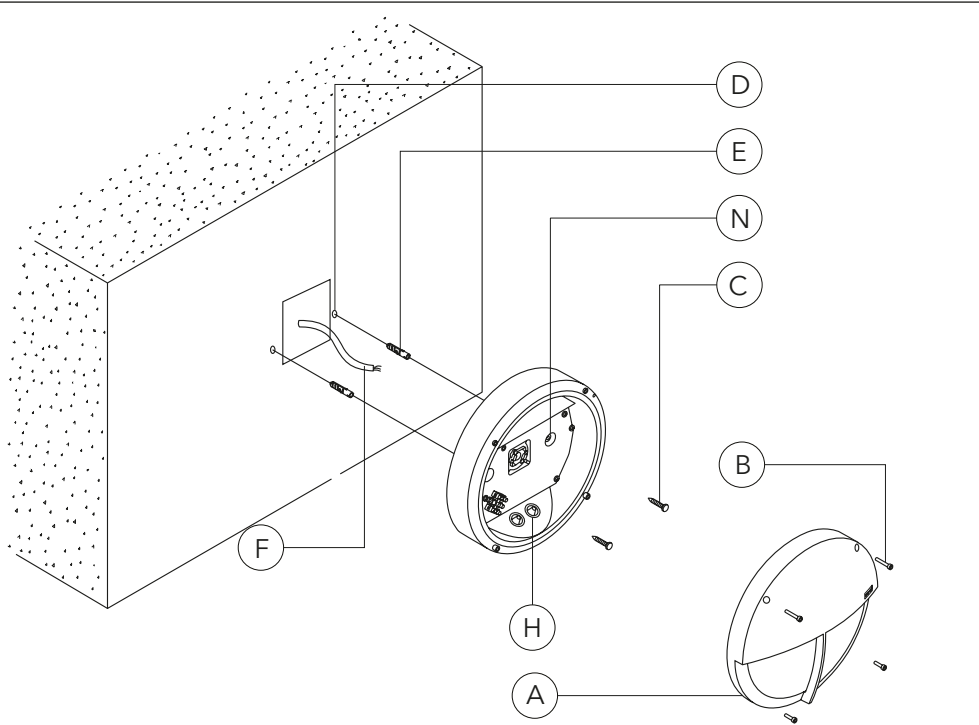
Attention: The nylon plugs **N** must remain in position to provide sealing.

- 6) Remove gear tray and connect mains supply leads to respective terminals in terminal block **I** (N = Neutral, L1 = Phase, ⊕ = Earthing).
- 7) Reposition the cover **A** and secure in position by evenly tightening the screws **B**.

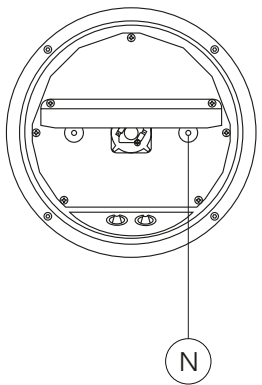
Installation Procedure

- 1) Switch off the mains electrical supply. ⚡





Individual connection



Through wiring

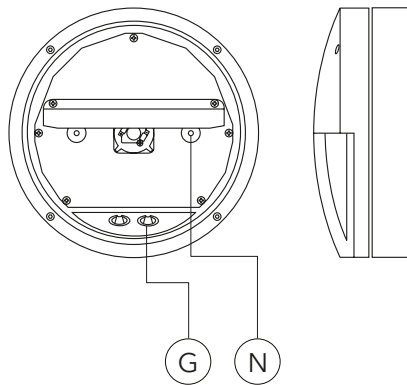


Fig. 1