

we-ef

Safety Notice

The manufacturer is discharged from liability when damage is caused by improper use or installation.

If any luminaire and/or accessory is subsequently modified, the persons responsible for the modification shall be considered as manufacturer.

The luminaire is not suitable for chlorine containing environments e.g. swimming pools



WE-EF LIGHTING

Installation and
Maintenance Instructions for
Recessed Exterior
downlights

DOC100 LED Series

we-ef

A Fagerhult Group Company

WE-EF LIGHTING USA

Tel +1 724 742 0030

info.usa@we-ef.com

we-ef.com

DOC100_LED_270622 / 006-1355

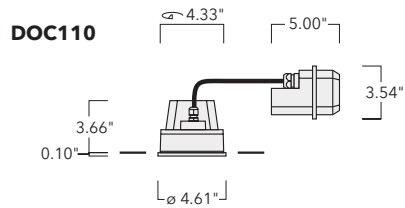
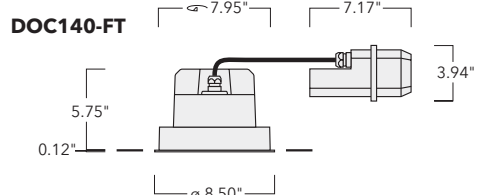
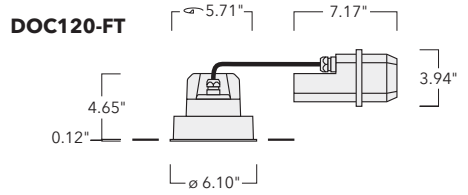
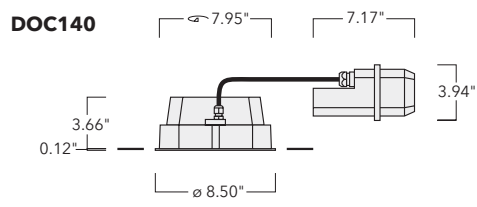
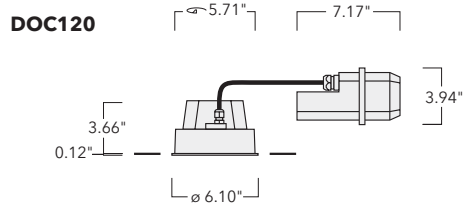
Technical specifications are subject to change.

© WE-EF 2022

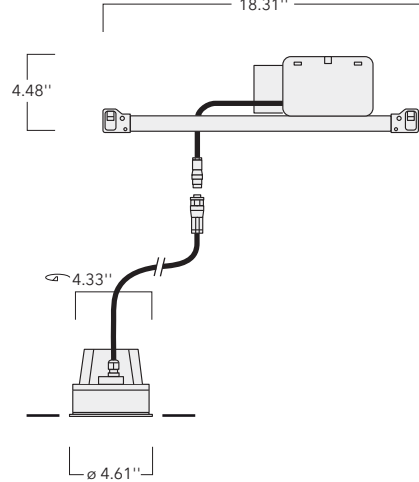
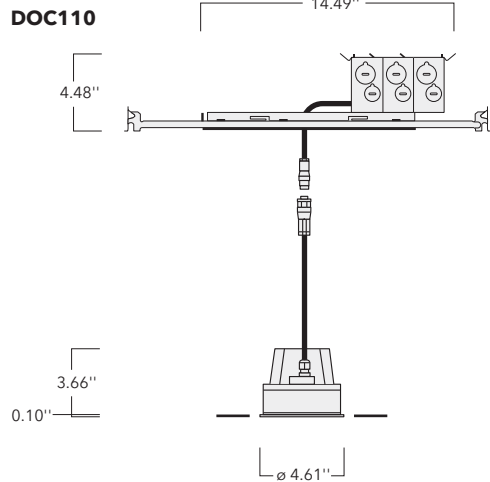
Recessed Exterior Downlights

IP66, IK07

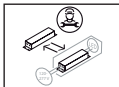
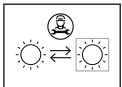
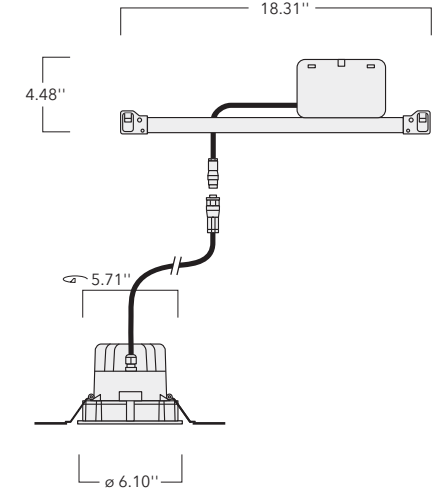
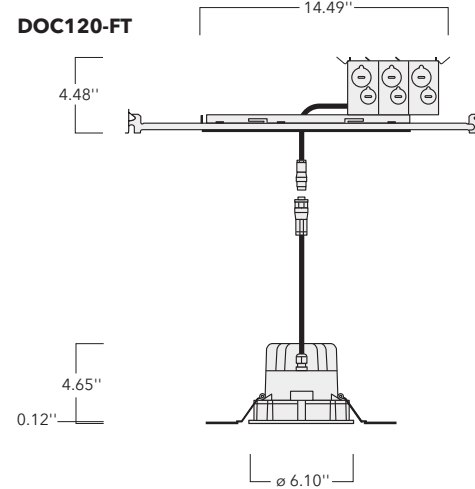
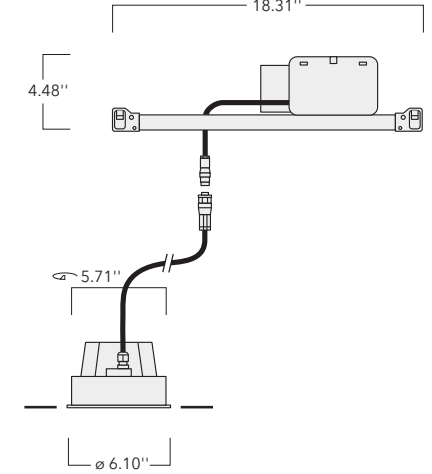
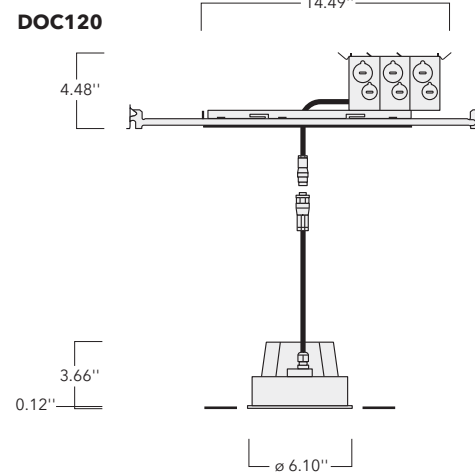
Retrofit



New Construction

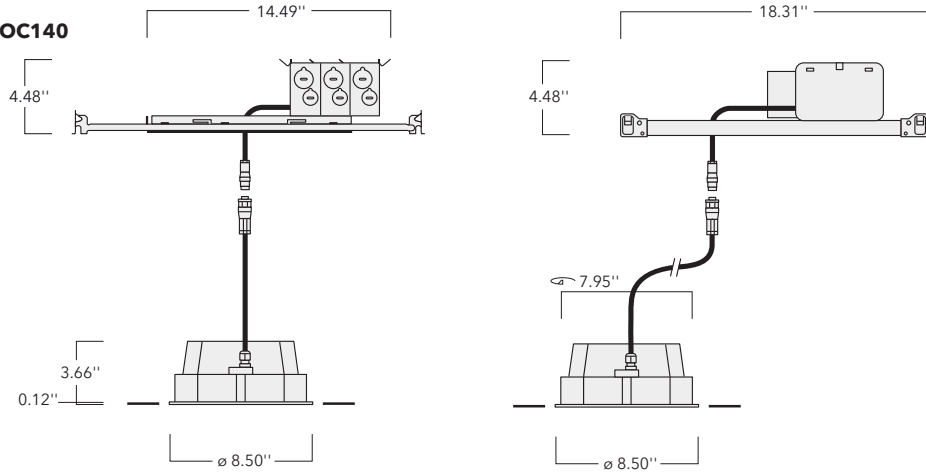


New Construction

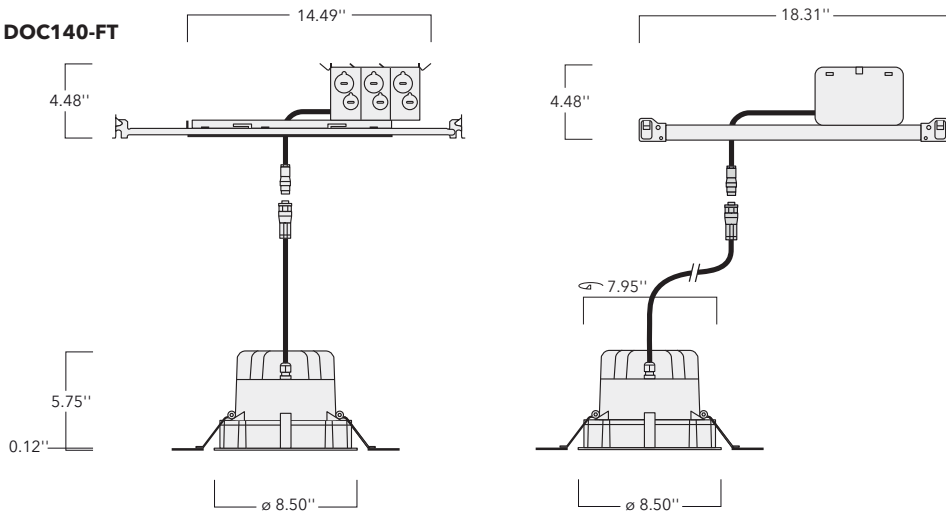


New Construction

DOC140



DOC140-FT



Light Source

LED-FT 24W / LED-FT 37W*

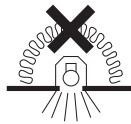
6 LED 12W / 12 LED 24W / 24 LED 48W*

* Nominal power, for latest data refer to

www.we-ef.com

Class I, ta 40 °C

Not suitable for covering
with thermal insulation
material.



ø 0.177 - 0.394 in

16 AWG

Tools required

- Screwdriver with blade 3x1
- Screwdriver TX 25

Installation Accessories

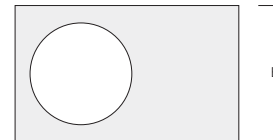
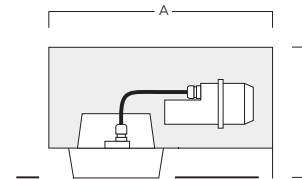
Installation blackout Type I - Luminaire frame proud of surface

	Part ID	for Luminaire	A	B	C
BDO11-I	134-1639	DOC110	13.11	6.77	9.13
BDO12-I	134-1748	DOC120	15.08	7.56	10.71
BDO14-I	134-1763	DOC140	17.44	7.56	12.76

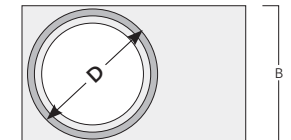
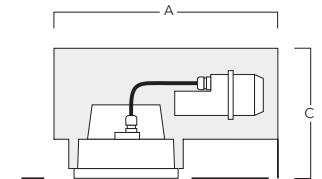
Installation blackout Type III - Luminaire frame flush with surface, with shadow line

	Part ID	for Luminaire	A	B	C	D
BDO11-III	134-1641	DOC110	13.11	6.77	9.13	5.83
BDO12-III	134-1749	DOC120	15.08	7.56	10.71	7.80
BDO14-III	134-1764	DOC140	17.44	7.56	12.76	10.51

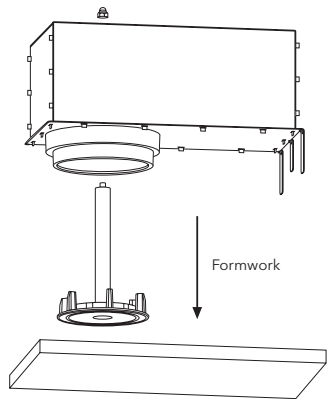
BDO Type I



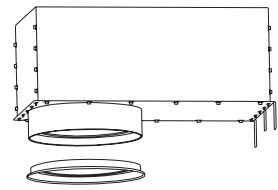
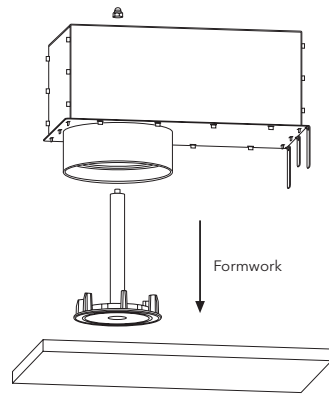
BDO Type III



BDO Type I



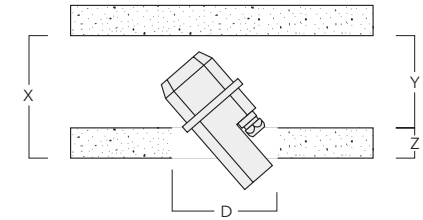
BDO Type III



Cover
Do not fix cover before formwork is removed!

Installation dimensions

Luminaire	X	Y	Z	D
DOC110	5.71	4.13	max. 1.57	4.33
DOC120	6.30	4.72	max. 1.57	5.71
DOC140	6.30	4.72	max. 1.57	7.95



Installation

The product must be installed and maintained by a suitably qualified professional in compliance with latest building/construction and/or electrical regulations and relevant legislation.

⚡ Attention: Switch off mains electrical supply prior to installing and connecting the luminaire. Do not open luminaire while mains supply is switched on.

Notice: If the luminaire is modified by anybody other than the original manufacturer, then the warranty will no longer be valid and shall become the full responsibility of the modifying person/organisation. Claims based on defects attributable to improper installation and/or application, and the consequences thereof, are excluded.

In case of component failure, LED replacement due to abnormal circumstances or at end of life, replacement must be carried out by a suitably qualified and trained professional.

In case of questions please contact our technical hotline: +1 724 742 0030 (from Monday - Friday from 08.00 until 16.00 hours).

Maintenance

Apart from cleaning the product's exterior surfaces, no special maintenance work is required. Do not use high-pressure cleaners.

Protect our environment: Discard used LEDs in compliance with the most recent environmental legislation.

Installation Procedure - Retrofit

1) Switch off the mains electrical supply. ⚡



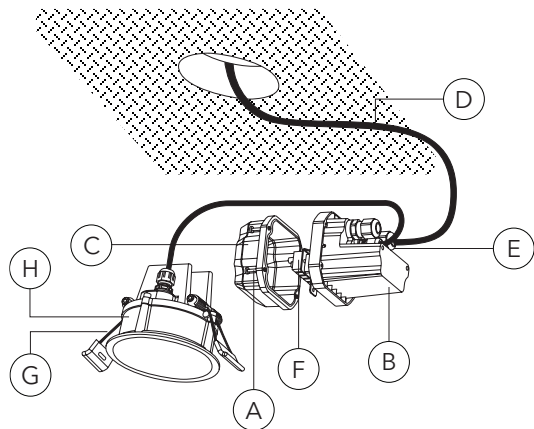
- Loosen screws **A** from gear box **B** and open cover **C**.
- Lead the connecting line **D** through the cable gland **E** into the power supply pack.

- Connect the neutral conductor (N), phase (L1) and the earthing \oplus to the corresponding marked contacts of the terminal clamp **F**. Check that rating shown on the luminaire label conforms with the mains electrical supply.

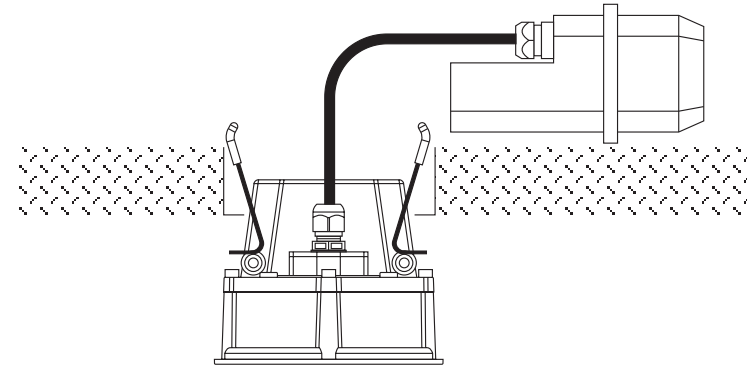
(example)

we-ef	12/17 IP66 
DOC120 LED	120-277V / 60 Hz
134-XXXX →	SOE XXXXXXX
LED 3000K 24W	item no. XXX

- Firmly tighten the cable gland **E**. Fix cover **C** back in position and tighten the screws **A**.

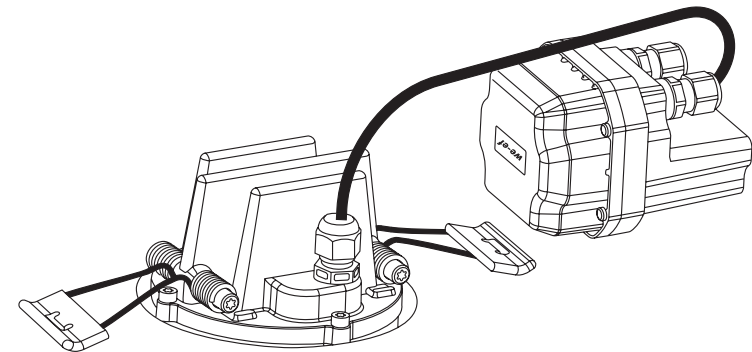


- Lead the gear box through the prepared ceiling opening, press both springs **G** upwards and position the luminaire **H** into ceiling opening. As soon as the luminaire **H** is placed into position, the springs ensure a steady hold inside the ceiling.



Attention - Risk of injury

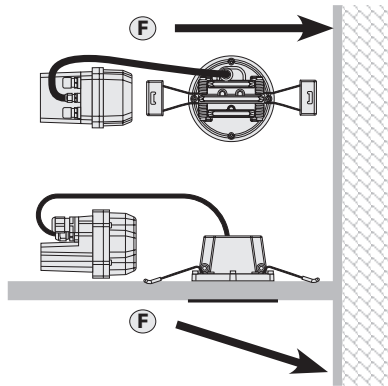
Hold the springs during removal of the luminaire!



Important:

In applications using the IO-20° WW lens, make sure the light is orientated in the direction of the object to be lit.

F = Installation position



Installation Procedure - New Construction

1) Switch off the mains electrical supply. ⚡

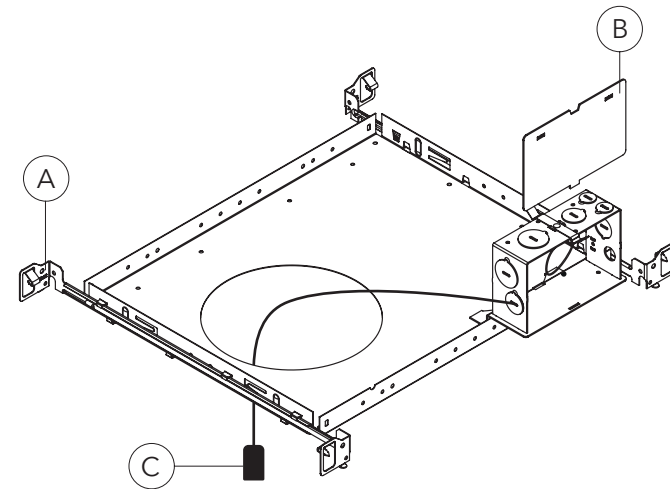
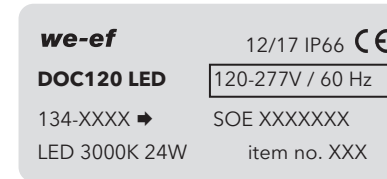


- 2) Mount driver tray to structure using extendable mounting arms **A**.
- 3) Remove junction box cover **B**. Terminate conduit (by others) into junction box through provided knockouts. Connect the neutral conductor (N), phase (L1), earthing, and dimming leads to corresponding marked contacts on terminal block.

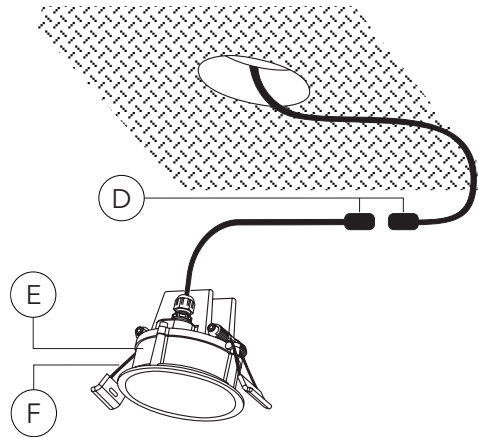
Check that rating shown on the luminaire label conforms with the mains electrical supply. Replace junction box cover.

- 4) Install ceiling and cut hole for fixture placement.
Pull power connector **C** through ceiling opening.

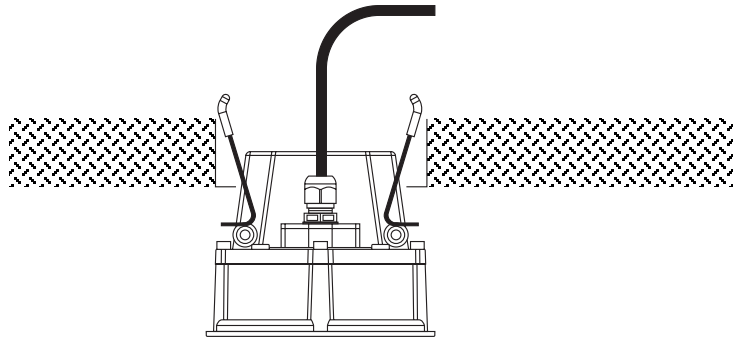
(example)



5) Connect fixture head to power cable using quick-disconnects **D**.

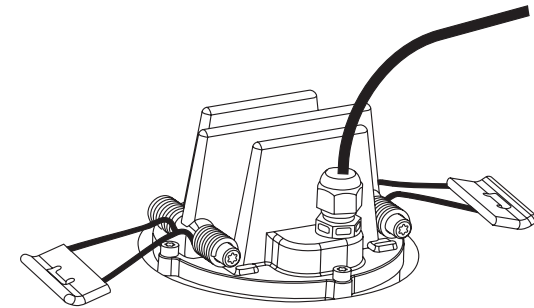


6) Lead the gear box through the prepared ceiling opening, press both springs **G** upwards and position the luminaire **H** into ceiling opening. As soon as the luminaire **H** is placed into position, the springs ensure a steady hold inside the ceiling.



Attention - Risk of injury

Hold the springs during removal of the luminaire!



Important:

In applications using the IO-20° WW lens, make sure the light is orientated in the direction of the object to be lit.

F = Installation position

