

Safety Notice

The manufacturer is discharged from liability when damage is caused by improper use or installation.

If any luminaire and/or accessory is subsequently modified, the persons responsible for the modification shall be considered as manufacturer.

The luminaire is not suitable for chlorine containing environments e.g. swimming pools



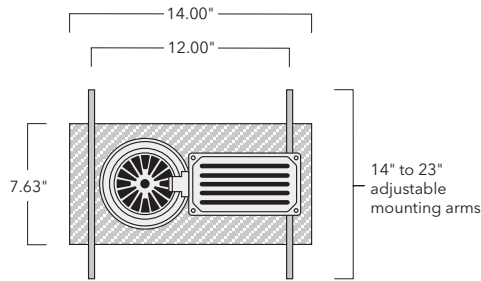
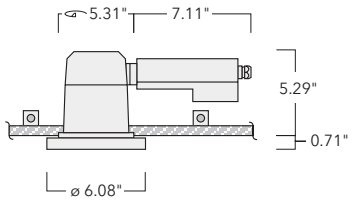
WE-EF LIGHTING

Installation and
Maintenance Instructions for
Recessed Exterior
downlights
DOC200 LED Series

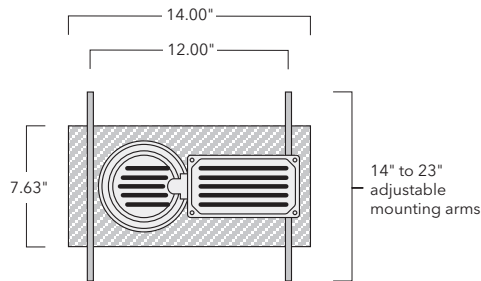
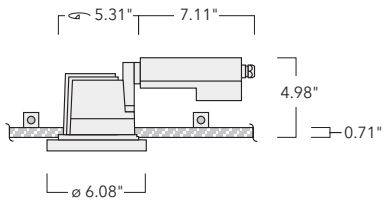
Recessed Exterior Downlights

IP66, IK07

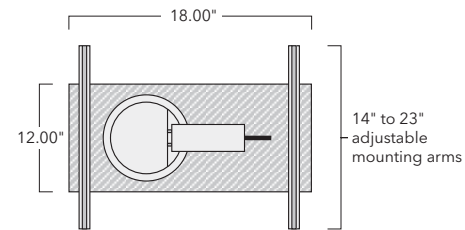
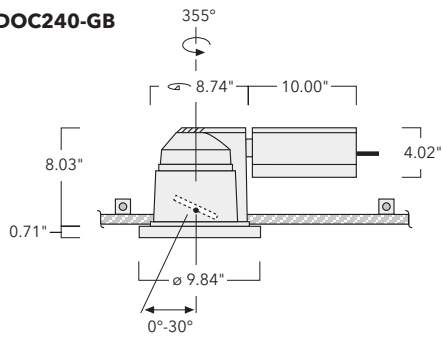
DOC220-FT



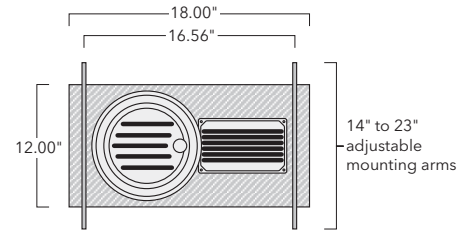
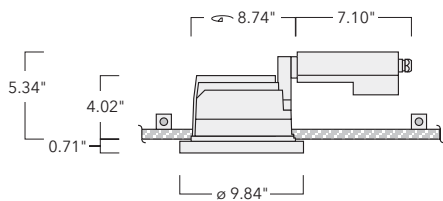
DOC220 12 LED



DOC240-GB



DOC240 24 LED



Light Source

- DOC220-FT 24 W*
- DOC220 12 LED 24 W*
- DOC240 24 LED 48 W*
- DOC240-GB 12 LED 18 W*

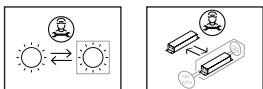
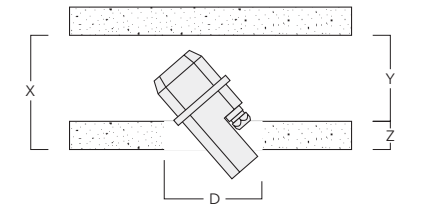
* Nominal power, for latest data refer to www.we-ef.com
Class I, ta 40 °C

Not suitable for covering with thermal insulation material.



Installation dimensions

Luminaire	X	Y	Z	D
DOC220-FT	6.30	4.72	max. 1.57	5.31
DOC220 12 LED	6.30	4.72	max. 1.57	5.31
DOC240 24 LED	8.07	4.72	max. 1.57	8.74
DOC240-GB	8.07	4.72	max. 1.57	8.74



Installation Accessories

Installation blackout Type I - Luminaire frame proud of surface

Part ID	for Luminaire	A	B	C1	D1	
BDO22-I	134-0797	DOC220	15.08	7.87	8.23	6.06
BDO24-I	134-0798	DOC240	22.44	12.01	11.22	9.84

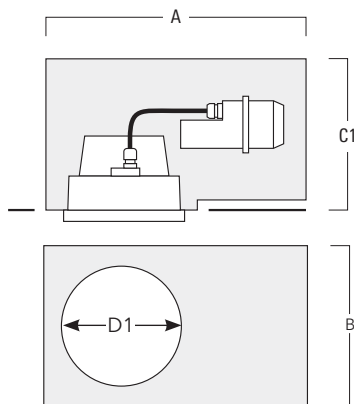
Installation blackout Type II - Luminaire frame flush with surface,

Part ID	for Luminaire	A	B	C	D1	
BDO22-II	134-1161	DOC220	15.08	7.87	8.94	6.61
BDO24-II	134-1162	DOC240	22.44	12.01	11.93	10.47

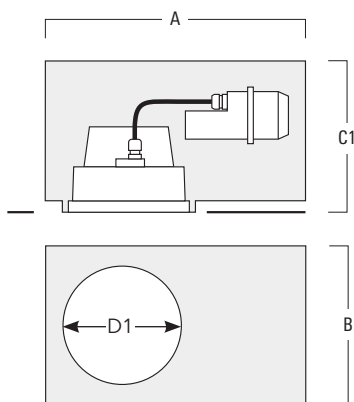
Installation blackout Type III - Luminaire frame flush with surface, with shadow line

Part ID	for Luminaire	A	B	C	D1	D2	
BDO22-III	134-1497	DOC220	15.08	7.87	8.94	6.06	7.60
BDO24-III	134-1498	DOC240	22.44	12.01	11.93	9.84	11.61

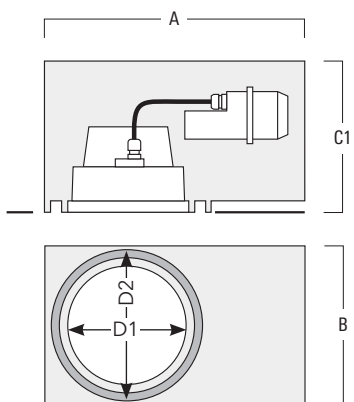
BDO Type I



BDO Type II



BDO Type III



Tools required

- Screwdriver with blade 3x1
- Screwdriver TX 25

Installation

The product must be installed and maintained by a suitably qualified professional in compliance with latest building/construction and/or electrical regulations and relevant legislation.

⚡ Attention: Switch off mains electrical supply prior to installing and connecting the luminaire. Do not open luminaire while mains supply is switched on.

Notice: If the luminaire is modified by anybody other than the original manufacturer, then the warranty will no longer be valid and shall become the full responsibility of the modifying person/organisation. Claims based on defects attributable to improper installation and/or application, and the consequences thereof, are excluded.

In case of component failure, LED replacement due to abnormal circumstances or at end of life, replacement must be carried out by a suitably qualified and trained professional.

In case of questions please contact our technical hotline: +1 724 742 0030 (from Monday - Friday from 08.00 until 16.00 hours).

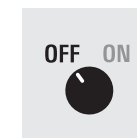
Maintenance

Apart from cleaning the product's exterior surfaces, no special maintenance work is required. Do not use high-pressure cleaners.

Protect our environment: Discard used LEDs in compliance with the most recent environmental legislation.

Installation Procedure - Retrofit

- 1) Switch off the mains electrical supply. ⚡

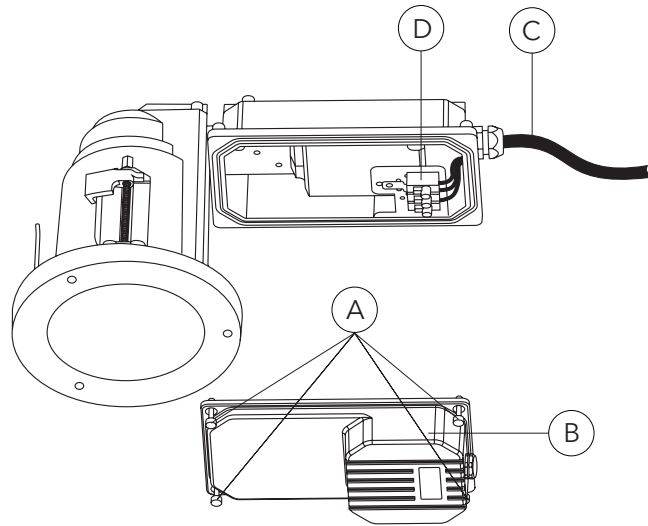


- 2) Loosen screws **A** from gear box and open cover **B**.
- 3) Lead the connecting line through the cable gland **C** into the power supply pack.
- 4) Connect the neutral conductor (N), phase (L1) and the earthing Ⓢ to the corresponding marked contacts of the terminal clamp **D**.
Check that rating shown on the luminaire label conforms with the mains electrical supply.

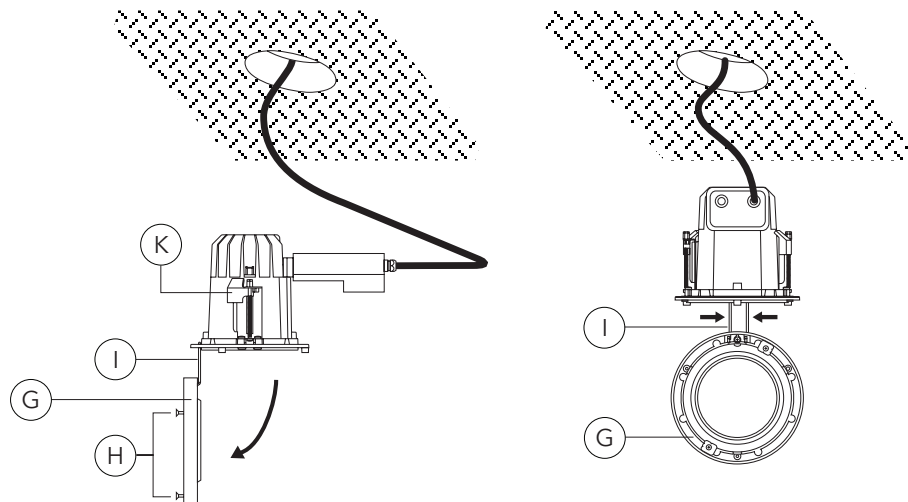
(example)

we-ef	04/19 IP66 CE
DOC200 LED	120-277V / 60 Hz
134-XXXX ➔	SOE XXXXXXXX
LED 3000K 24W	item no. XXX

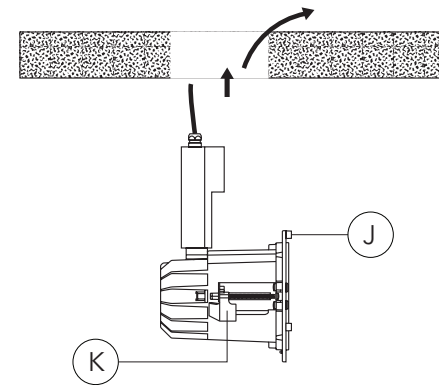
- 5) Firmly tighten the cable gland **C**. Fix cover **B** back in position and tighten the screws **A**.



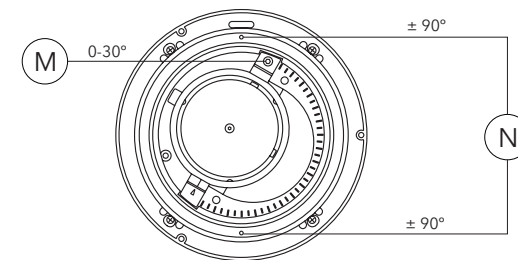
- 6) Loosen screws **H** and hinge down frame **G**. Press the hinge-joint **I** together and remove the frame.



- 7) Insert the luminaire through the ceiling cutout or inside the installation blockout BDO.

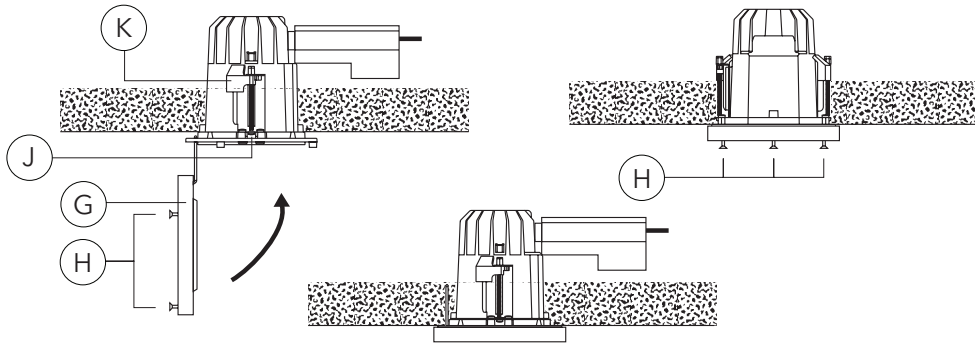


- 8) By loosening of screw **N** the Gimbal can get turned around the vertical axis. Afterwards firmly tighten screw **N**.
The inclination of the Gimbal can get adjusted from 0 up to 30° by loosening of screw **M**.
Afterwards firmly tighten screw **M**.



9) Firmly tighten screws **J**. (In case an electric screw-driver is used make sure to activate the torque control.)

While tightening the screws **J** the clamps **K** get spread apart, so that the clamps securely affix the luminaire.



10) **Important:**

In applications using the IO-20° WW lens, make sure the light is orientated in the direction of the object to be lit.

X = Installation position

