

WE-EF LIGHTING

Installation and Maintenance
Instructions

Floodlight with clamp

FLB141 #6 LED

FLB141 #7 LED



Do not open during installation

This product is factory-sealed.
Refer to the instructions contained
in this document for details.



Surge Protection

This product features built-in surge protection circuitry in compliance
with applicable standards.

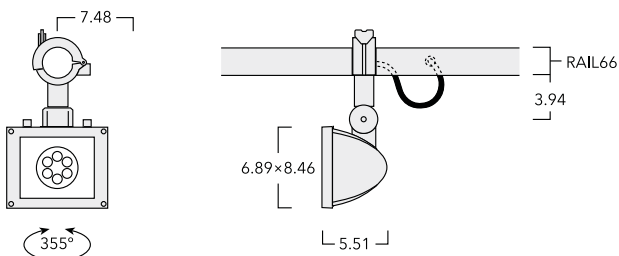
For comprehensive protection of a luminaire installation against lightning
and electrical surges, it is essential to cover mains supply and data input
lines at the distribution board level, by using respective primary (Type 1)
and secondary (Type 2) surge arrestors in compliance with EN61643-11/
IEC61643-1.

Warning

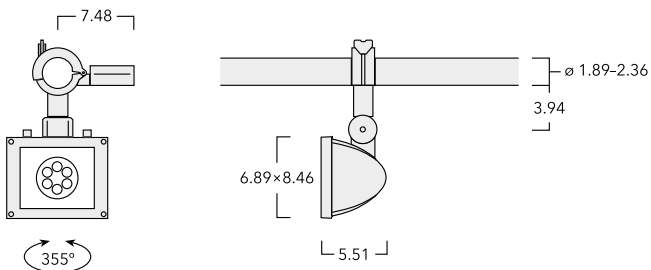
Ensure that all required surge protection measures are in place and acti-
vated prior to luminaire installation. Also, disconnect luminaires
before operating high-power devices such as, for example, electrical arc
welders.

Floodlight with clamp

FLB141 #6 RAIL66 version



FLB141 #7 Space frame version



IP66, IK08, Class I, $t_a = 40^\circ\text{C}$

Weight

lb

for FLB141 #6 LED

8.6

for FLB141 #7 LED

10.1

Windage area

ft²

for FLB141 #6 LED

0.431

for FLB141 #7 LED

0.484

Orientation: any

Light Source

LED

Maintenance

Apart from cleaning the product's exterior surfaces, no special maintenance work is required.

Do not use high-pressure cleaners.

In case of component failure due to abnormal circumstances or at end of life, replacement must be carried out by a suitably qualified and trained professional.

Warning: Do not open luminaire while mains supply is switched on.

Installation

The product must be installed and maintained by a suitably qualified professional in compliance with latest building/construction and/or electrical regulations and relevant legislation.

Warning: Switch off mains electrical supply prior to installing and connecting the luminaire.

Notice: If the luminaire is modified by anybody other than the original manufacturer, then the warranty will no longer be valid and shall become the full responsibility of the modifying person/organisation.

Claims based on defects attributable to improper installation and/or application, and the consequences thereof, are excluded.

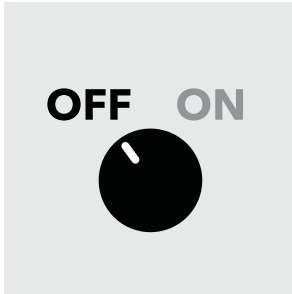
The installation on site must comply with local and/or national health and safety regulations.

Installation Procedure

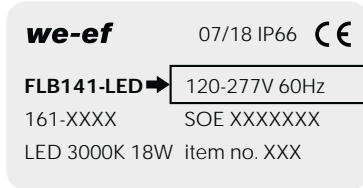
Installation - RAIL66 version

Prior to installing the luminaire, mount and connect the selected RAIL66 mounting system in accordance with relevant installation instructions

- 1) Switch off mains electrical supply.

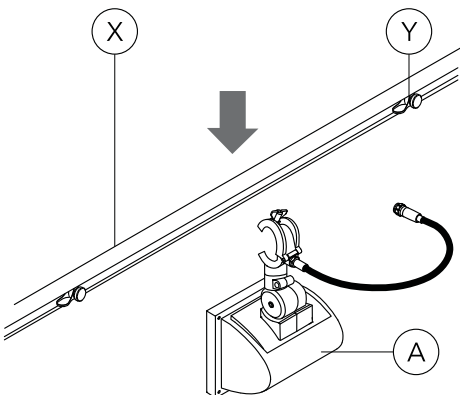


- 2) Check that rating shown on luminaire label conforms with mains electrical supply.

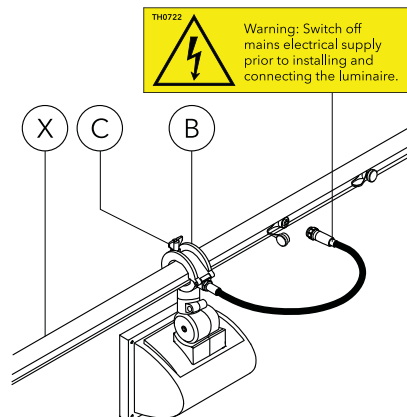


(example)

- 3) Determine desired position of luminaire **A** on rail **X**, dependent on aiming requirements and proximity to a suitable mains outlet **Y**.

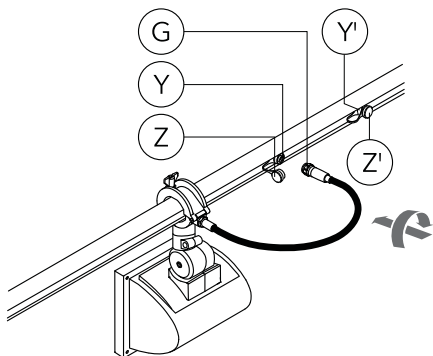


- 4) Attach clamp **B** to rail **X**. Tighten wingnut **C**.

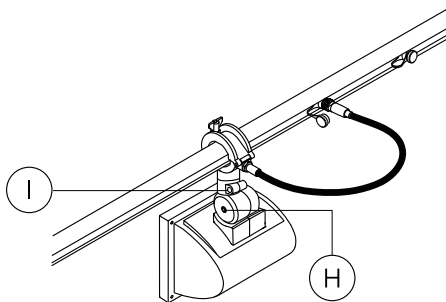


- 5) Remove protective cover **Z** from mains outlet **Y**. Insert in-line connector **G** and tighten.

Attention: On any mains outlet **Y'** that is not used, protective cover **Z'** must remain firmly secured. Check and ensure proper fit and tightness.



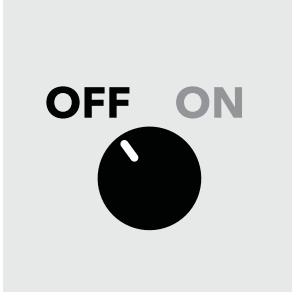
- 6) Loosen screws **H** and **I** slightly. Aim luminaire in desired direction, retighten screws **H** and **I**.



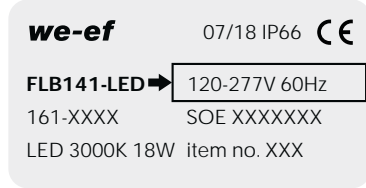
Installation - Space frame version

Suitable for space frame diameter 1.89-2.36 in.

- 1) Switch off mains electrical supply.

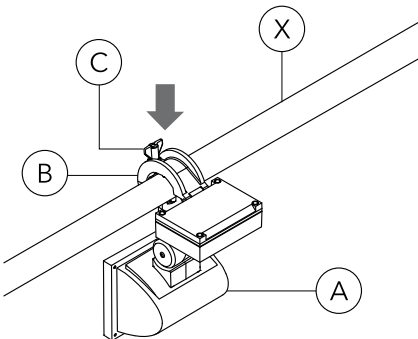


- 2) Check that rating shown on luminaire label conforms with mains electrical supply.

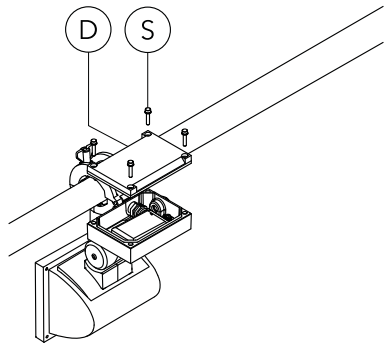


(example)

- 3) Determine desired position of luminaire **A** on space frame **X**, dependent on aiming requirements. Attach clamp **B** to space frame **X**. Tighten wingnut **C**.



- 4) Detach gear box cover **D** by loosening screws **S**.



5) Feed mains supply cable **E** through cable gland **G** (Fig. I).

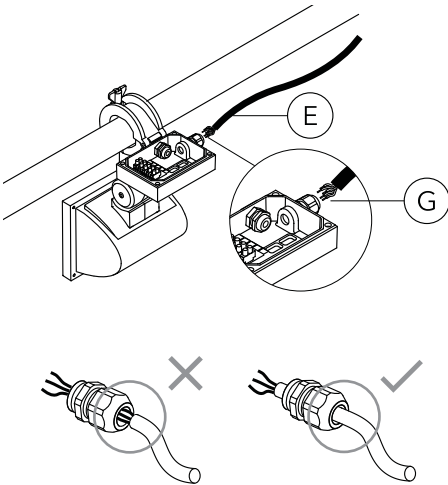
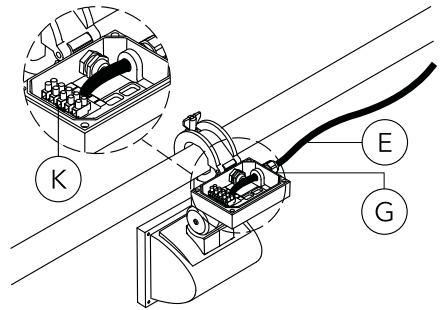
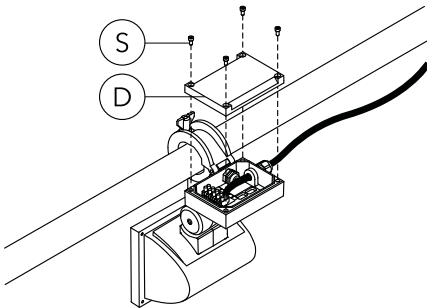


Fig. I

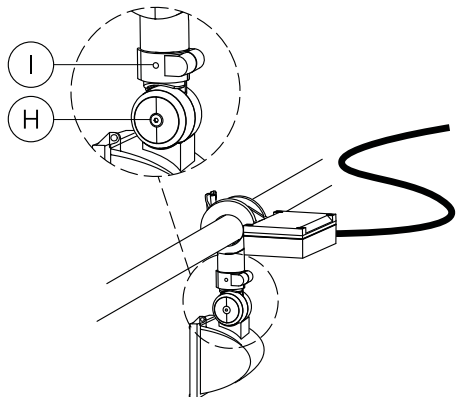
6) Connect mains supply cable **E** leads to respective terminals in terminal connector **K**:
 a) ON/OFF (L = Phase, N = Neutral, ⊕ = Earthing)
 b) 0-10 V (L = Phase, N = Neutral, ⊕ = Earthing, D-/D+ = 0-10 V control line).
 Tighten cable gland **G**.



7) Reposition gear box cover **D** and secure in position by retighten screws **S**.



8) Loosen screws **H** and **I** slightly. Aim luminaire in desired direction, retighten screws **H** and **I**.



we-ef

www.we-ef.com

WE-EF LIGHTING

United States of America

Tel +1 724 742 0030

Fax +1 724 742 0035

info.usa@we-ef.com

TO9248W0422 © WE-EF 2022

Technical specifications are
subject to change.

we-ef



WE-EF LIGHTING

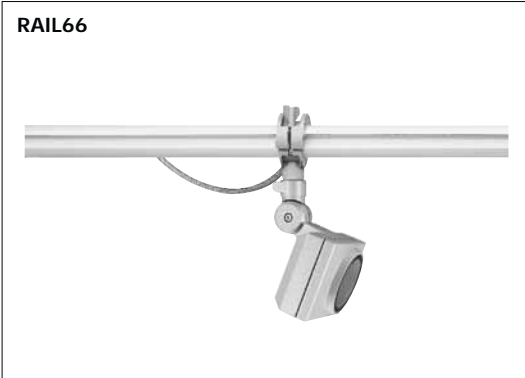
Installation and Maintenance
Instructions

RAIL66

**Projector and Floodlight
Mounting System**

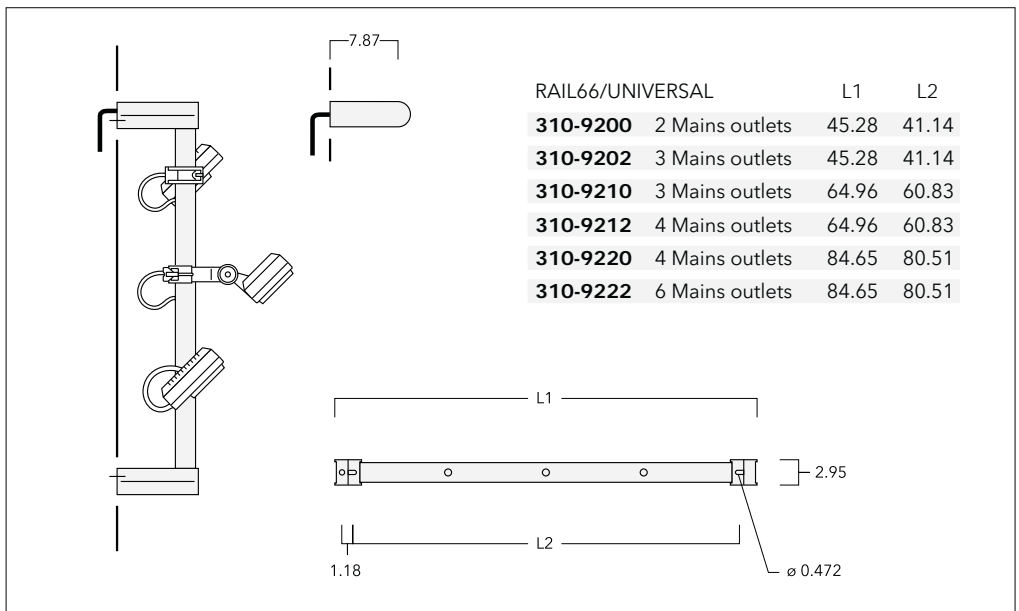
Projector and Floodlight Mounting System

RAIL66



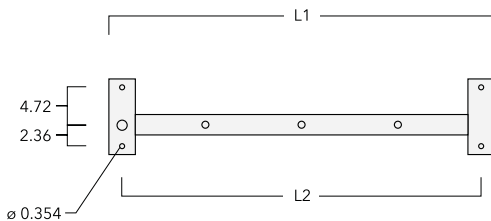
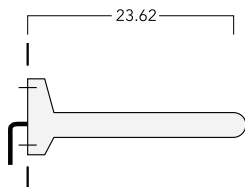
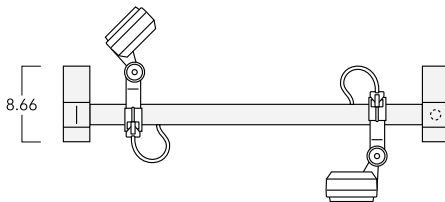
Versatile mounting system, developed in conjunction with and engineered for a dedicated range of WE-EF luminaires. IP66, Class I, $t_a \leq 40^\circ\text{C}$. Suitable for both interior and exterior applications.

RAIL66/UNIVERSAL



RAIL66/CANTILEVER

RAIL66/CANTILEVER		L1	L2
310-9230	2 Mains outlets	45.28	42.13
310-9232	3 Mains outlets	45.28	42.13
310-9240	3 Mains outlets	64.96	61.81
310-9242	4 Mains outlets	64.96	61.81
310-9250	4 Mains outlets	84.65	81.50
310-9252	6 Mains outlets	84.65	81.50



Installation

The product must be installed and maintained by a suitably qualified person in compliance with the latest applicable regulations and relevant legislation.

Claims based on defects attributable to improper installation, application, operation and/or any modification carried out by the purchaser or third parties, and the consequences thereof, are excluded.

RAIL66 versions may be mounted to a variety of surfaces. Care must be taken to ensure that mounting is appropriate to prevailing site conditions, including structural and wind loads etc.

Luminaire Installation

Refer to separate, dedicated installation instructions.

Installation Procedure - RAIL66/UNIVERSAL

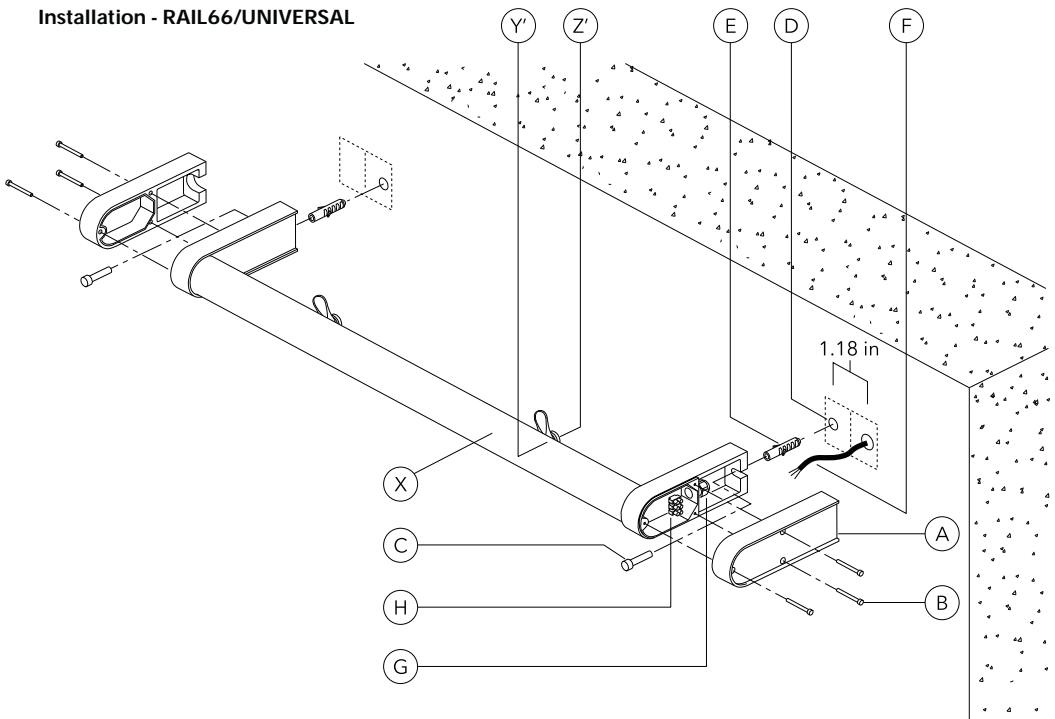
- 1) Switch off the mains electrical supply.
- 2) Remove covers **A** by releasing screws **B**.
- 3) Check that rating shown on product label conforms with mains electrical supply.
- 4) Determine positions for fixing bolts **C**. Drill relevant holes **D** and insert nylon plugs **E**.
Warning: Make sure not to damage any electric cable, water pipe or other devices while drilling holes.
- 5) Set and fix rail assembly **X** in position. Tighten bolts **C**.
- 6) Feed mains supply cable **F** through cable gland **G**. Tighten cable gland **G**.
- 7) Connect mains supply leads to respective terminals in terminal connector **H** (L = Phase, N = Neutral, \oplus = Earthing).

- 8) Ensure that all surfaces are clean and dry, then reposition covers **A**. Tighten screws **B** in a criss-cross pattern for proper gasket compression. Pay particular attention to equal tightness.
- 9) For luminaire installation, see overleaf, dedicated installation instructions.

Attention: Check and ensure proper fit and tightness of protective covers **Z'** on mains outlets **Y'**. Remove cover(s) only when installing luminaire(s).

Note: When installing optional mounting accessories, refer to Fig. I and II for guidance.

Installation - RAIL66/UNIVERSAL



Optional Mounting Accessories for RAIL66/UNIVERSAL

Fig. I

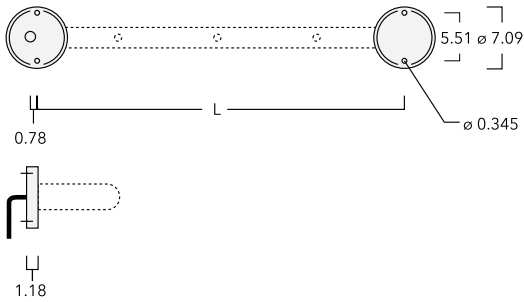
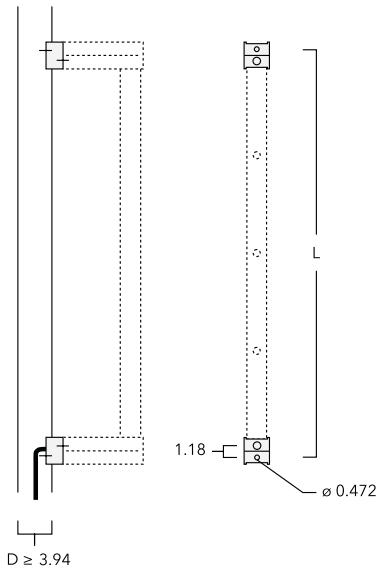


Fig. II



Flat Surface Fitters (pair)

L

310-9290

42.13/61.81/81.50

Column Fitters (pair)

L

310-9294

43.90/63.58/83.27

we-ef

www.we-ef.com

WE-EF LIGHTING

United States of America

Tel +1 724 742 0030

Fax +1 724 742 0035

info.usa@we-ef.com

TO9149W0522 © WE-EF 2022

Technical specifications are
subject to change.