

Safety Notice

The manufacturer is discharged from liability when damage is caused by improper use or installation.

If any luminaire and/or accessory is subsequently modified, the persons responsible for the modification shall be considered as manufacturer.

Surge Protection

This product features built-in surge protection circuitry in compliance with applicable standards. For comprehensive protection of a luminaire installation against lightning and electrical surges, it is essential to cover mains supply and data input lines at the distribution board level, by using respective primary (Type 1) and secondary (Type 2) surge arrestors in compliance with EN61643-11/ IEC61643-1.



WE-EF LIGHTING

Installation and
Maintenance Instructions for
Projector

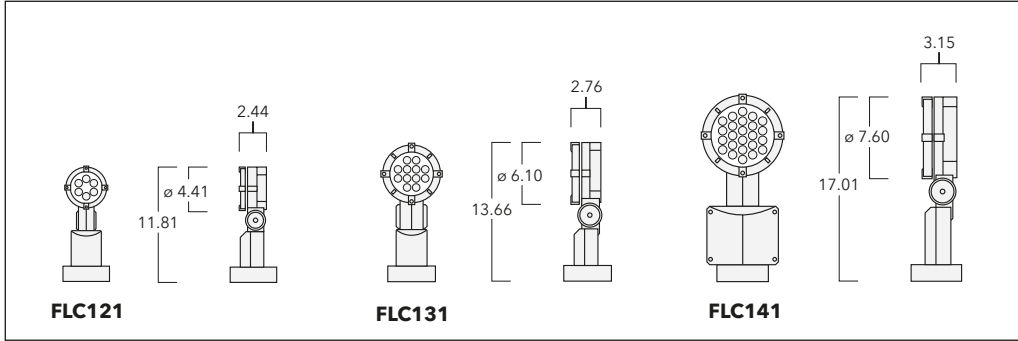
FLC121 LED #2

FLC131 LED #2

FLC141 LED #3

Projectors

IP66, IK07



Light Source		Weight	
6-24 LED 12-48W		FLC121	3.7 lb
Nominal power, for latest data refer to www.we-ef.com		FLC131	5.5 lb
Class I, ta = 40 °C		FLC141	9.7 lb
		Windage area	
		FLC121	0.269 ft ²
		FLC131	0.441 ft ²
		FLC141	0.614 ft ²

- Tools required**
- Screwdriver with 3.0 mm x 0.8 mm blade
 - Set of allen keys

Important:

In applications using lenses, make sure the light is orientated in the direction of the object to be lit. Please ensure that the prismatic side of the lens is facing the LEDs.

A = Frame
B = Cover
C = Lens - IO-20, IO-180 or IO-360
D = Gasket
E = Direction of light

Important:

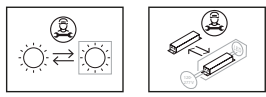
When mounting luminaires on concrete or surfaces containing limestone content, WE-EF recommends using mounting accessories - a short post or a ground spike to prevent galvanic corrosion.

In areas where mounting accessories are not applicable, ensure the luminaire's aluminium base is separated from concrete and limestone using a plastic or rubber sheet. Allow concrete to cure before installation - **DO NOT INSTALL ON WET CONCRETE!**

Handling

Ensure the mounting flange plates are handled with care, scratches and damage to the coated surface can result in galvanic corrosion.

A WE-EF warranty does not cover any adverse reaction or damage, due to improper installation and requests that our recommendations are followed.



Installation

The product must be installed and maintained by a suitably qualified professional in compliance with latest building/construction and/or electrical regulations and relevant legislation.

⚡ Attention: Switch off mains electrical supply prior to installing and connecting the luminaire. Do not open luminaire while mains supply is switched on.

Notice: If the luminaire is modified by anybody other than the original manufacturer, then the warranty will no longer be valid and shall become the full responsibility of the modifying person/organisation. Claims based on defects attributable to improper installation and/or application, and the consequences thereof, are excluded.

In case of component failure, LED replacement due to abnormal circumstances or at end of life, replacement must be carried out by a suitably qualified and trained professional.

In case of questions please contact our technical hotline: +1 724 742 0030 (from Monday - Friday from 08.00 until 16.00 hours).

Maintenance

Apart from cleaning the product's exterior surfaces, no special maintenance work is required. Do not use high-pressure cleaners.

Protect our environment: Discard used LEDs in compliance with the most recent environmental legislation.

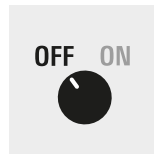
3) Check that rating shown on luminaire label conforms with mains electrical supply.

(example)

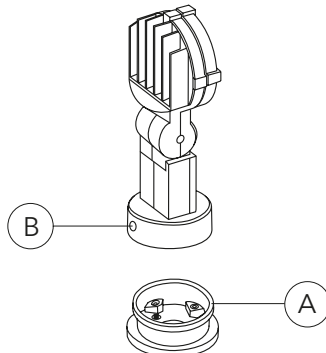
we-ef 12/17 IP66 **CE**
FLC121 LED 120-277V / 60 Hz
145-XXXX ➔ SOE XXXXXXXX
LED 3000K 12W item no. XXX

Installation Procedure

1) Switch off the mains electrical supply. ⚡

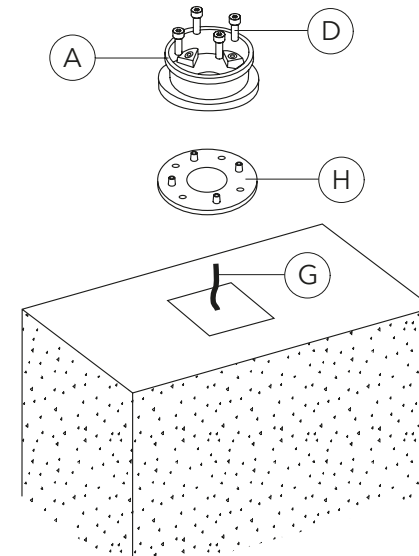


2) Remove mounting flange **A** by loosening screws **B**.

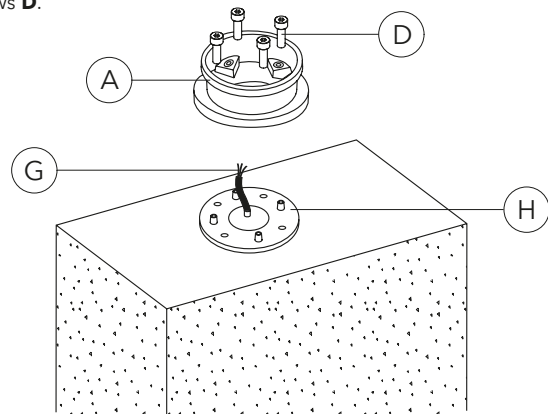


4) Separate mounting flange **A** from junction box mounting plate **H** by removing fasteners **D**. Mount plate over junction box with mains supply cable **G**.

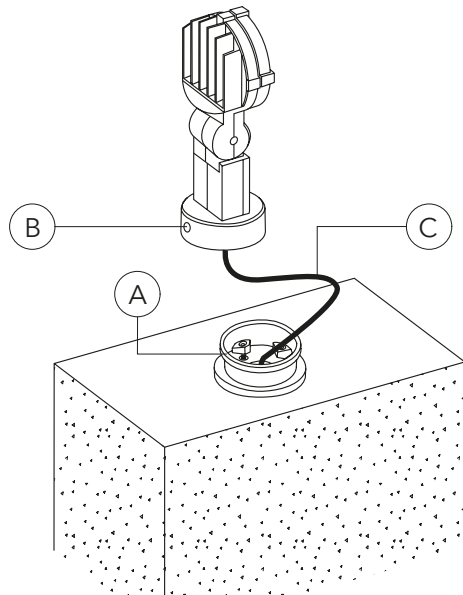
Attention: Ensure not to damage any electrical cable, water pipe or other items during installation.



- 5) Feed mains supply cable **G** through the junction box mounting plate **H**, while setting mounting flange **A** in position. To fix mounting flange **A**, insert and tighten screws **D**.



- 6) Ensure that all surfaces are clean and dry.
Position luminaire over mounting flange **A** and **C**. Turn luminaire towards object to be illuminated. Tighten screws **B**.



- 7) Loosen screws **M** slightly. Aim luminaire in desired direction. Align luminaire in desired direction. By loosening the screws **M**, the luminaire can be aligned vertically. Retighten screws **M**.

