

**Safety Notice**

The manufacturer is discharged from liability when damage is caused by improper use or installation.

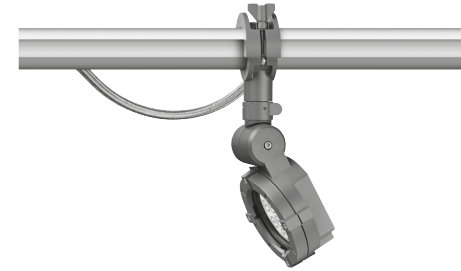
If any luminaire and/or accessory is subsequently modified, the persons responsible for the modification shall be considered as manufacturer.

**we-ef**

**WE-EF LIGHTING**

Installation and  
Maintenance Instructions for  
Projector

**FLC100 LED Series**  
for Mounting System RAIL66



**we-ef**

A Fagerhult Group Company

**WE-EF LIGHTING USA**

Tel +1 724 742 0030

info.usa@we-ef.com

**we-ef.com**

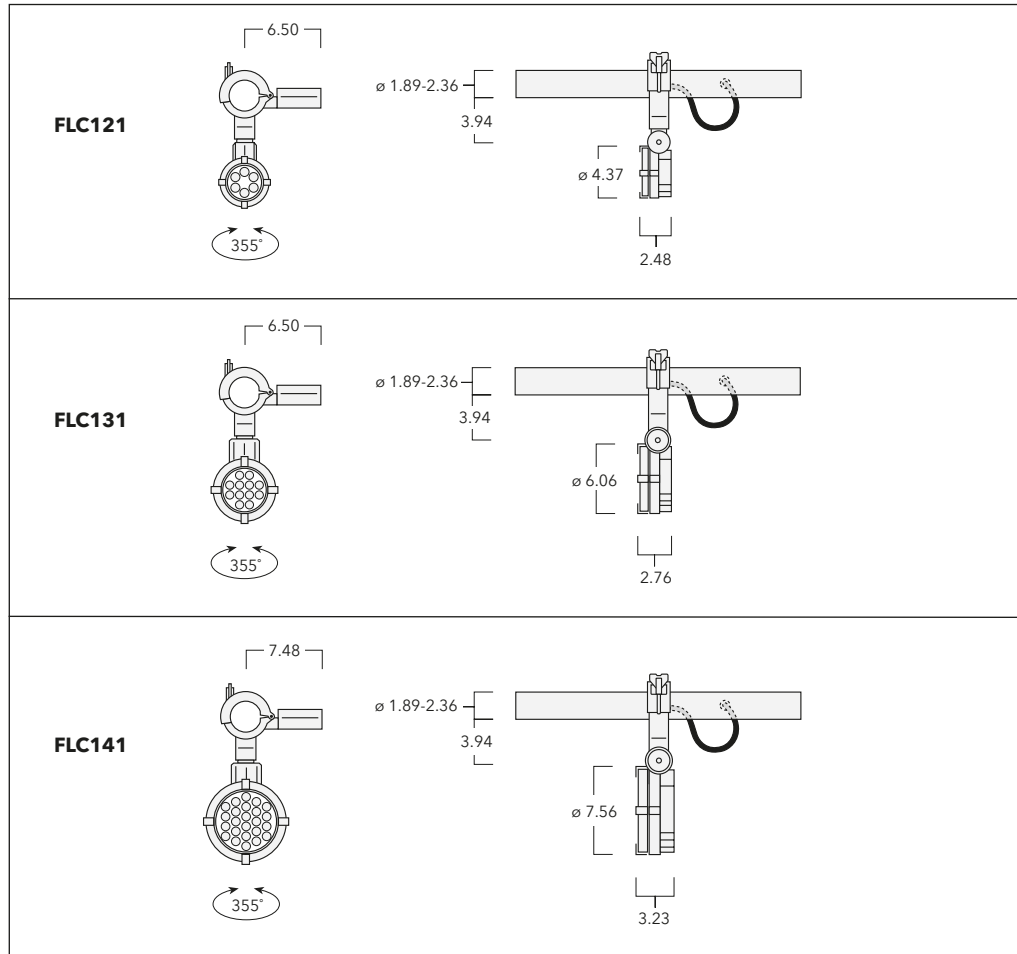
FLC100\_LED\_#7\_020822 / 006-1079

Technical specifications are subject to change.

© WE-EF 2022

**Floodlights for Mounting System RAIL66**

IP66, IK07

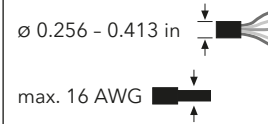


**Light Source**

FLC100 .....6-24 LED 12-48W

Nominal power, for latest data refer to [www.we-ef.com](http://www.we-ef.com)

Class I, ta = 40 °C



**Weight**

FLC121 .....	5.5 lb
FLC131 .....	6.8 lb
FLC141 .....	10.4 lb

**Windage area**

FLC121 .....	0.33 ft <sup>2</sup>
FLC131 .....	0.43 ft <sup>2</sup>
FLC141 .....	0.54 ft <sup>2</sup>

**Installation**

The product must be installed and maintained by a suitably qualified professional in compliance with latest building/construction and/or electrical regulations and relevant legislation.

**⚡ Attention:** Switch off mains electrical supply prior to installing and connecting the luminaire. Do not open luminaire while mains supply is switched on.

**Notice:** If the luminaire is modified by anybody other than the original manufacturer, then the warranty will no longer be valid and shall become the full responsibility of the modifying person/organisation. Claims based on defects attributable to improper installation and/or application, and the consequences thereof, are excluded.

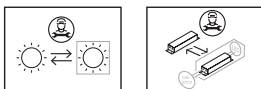
In case of component failure, LED replacement due to abnormal circumstances or at end of life, replacement must be carried out by a suitably qualified and trained professional.

In case of questions please contact our technical hotline: +1 724 742 0030 (from Monday - Friday from 08.00 until 16.00 hours).

**Maintenance**

Apart from cleaning the product's exterior surfaces, no special maintenance work is required. Do not use high-pressure cleaners.

Protect our environment: Discard used LEDs in compliance with the most recent environmental legislation.

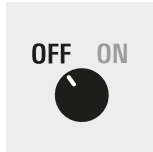


### Installation - RAIL66 Mounting System

Prior to installing the luminaire, mount and connect the selected RAIL66 mounting system in accordance with relevant installation instructions.


### Installation Procedure

- 1) Switch off the mains electrical supply. ⚡

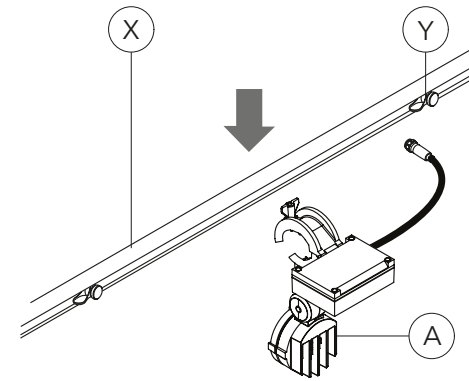


- 2) Check that rating shown on luminaire label conforms with mains electrical supply.

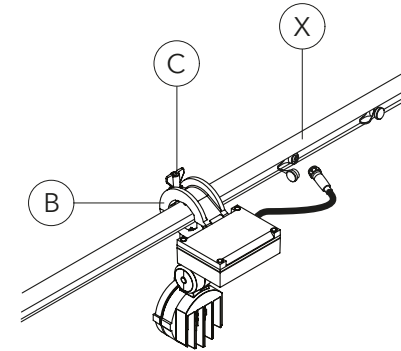
(example)

**we-ef** 12/17 IP66   
**FLC121 LED** 120-277V / 60 Hz  
145-XXXX ➔ SOE XXXXXXXX  
LED 3000K 12W item no. XXX

- 3) Determine position of the luminaire **A** on the bracket **X**, according to the requested adjustment and vicinity to the connection **Y**.

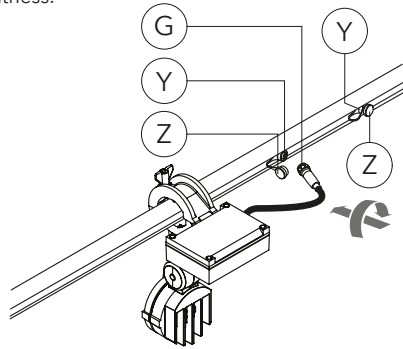


- 4) Fix clamp **B** to the bracket **X**. Firmly tighten butterfly screw **C**.

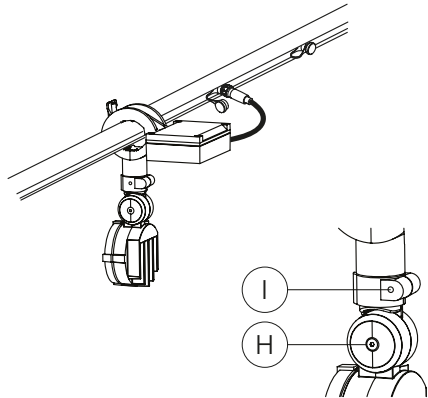


5) Remove safety cover **Z** from the connection **Y**.  
Insert connector assembly **G** and tighten it firmly.

**Attention:** In any not used connection **Y** the safety cover **Z** needs to remain secure. Check the correct position and tightness.



6) Loosen screws **H** and **I** slightly. Aim luminaire in desired direction, retighten screws **H** and **I**.



**Important:**

In applications using lenses, make sure the light is orientated in the direction of the object to be lit.  
Please ensure that the prismatic side of the lens is facing the LEDs.

- A** = Frame
- B** = Cover
- C** = Lens - IO-20, IO-180 or IO-360
- D** = Gasket
- E** = Direction of light

