

Safety Notice

The manufacturer is discharged from liability when damage is caused by improper use or installation.

If any luminaire and/or accessory is subsequently modified, the persons responsible for the modification shall be considered as manufacturer.

we-ef

WE-EF LIGHTING

Installation and
Maintenance Instructions for
Light Column
LTM440 LED



we-ef

A Fagerhult Group Company

WE-EF LIGHTING USA

Tel +1 724 742 0030

info.usa@we-ef.com

we-ef.com

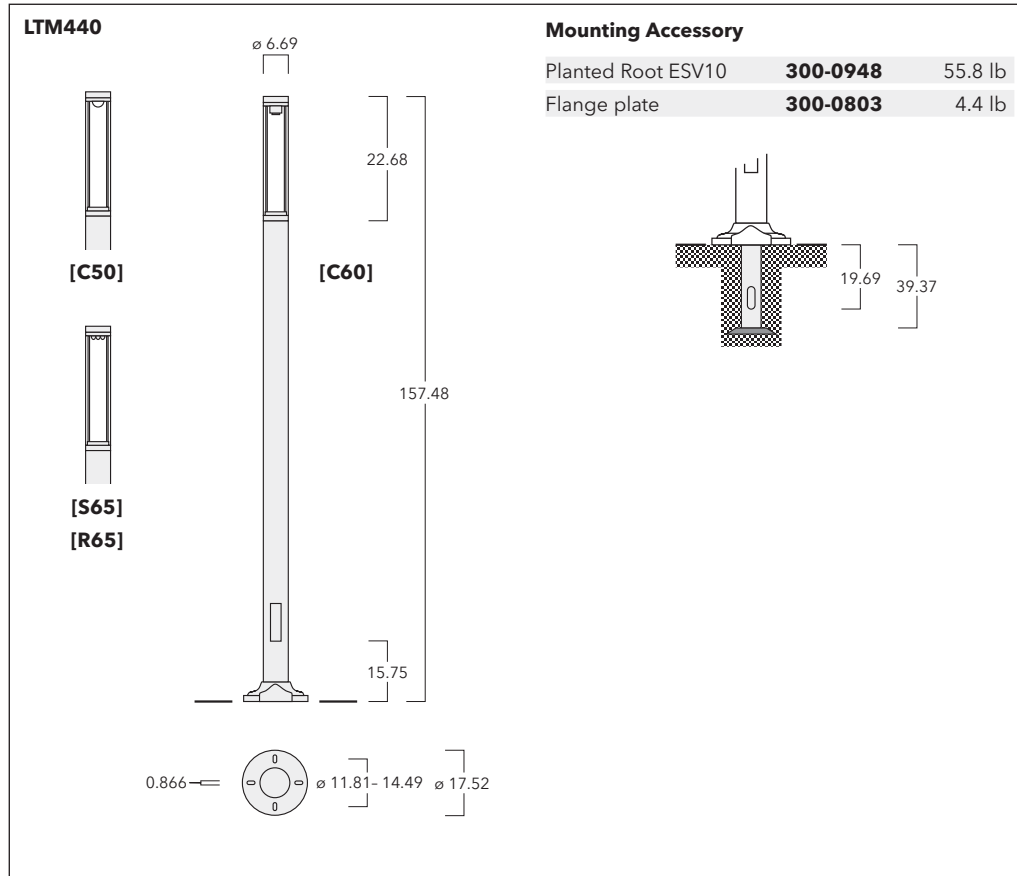
LTM440 LED_241121 / 006-1175

Technical specifications are subject to change.

© WE-EF 2022

Light Column

IP55, IK08



Light source

[S65] / [R65] 9 LED 18W / 27W*

Class I, ta = 25 °C

[C55] / [C60] LED-FT 17W / 24W / 37W*

These products contain a light source of energy efficiency class **C** and **D**.

* Nominal power, for latest data refer to www.we-ef.com

$\varnothing 0.354 - 0.669$ in

Tools required

- Screwdriver PH recessed head size 2
- 3 mm / 4 mm / 6 mm Allen keys

Installation

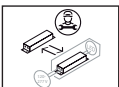
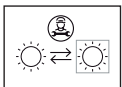
The product must be installed and maintained by a suitably qualified professional in compliance with latest building/construction and/or electrical regulations and relevant legislation.

The LED should be replaced by a qualified technician

In case of questions please contact our technical hotline: +1 724 742 0030 (from Monday - Friday from 08.00 until 16.00 hours).

Maintenance

Apart from cleaning the product's exterior surfaces, no special maintenance work is required.



Installation Procedure

It is recommended to incorporate either the supplied anchor bolts or the optional WE-EF planted root ESV10 to facilitate a rigid installation.

- 1) Switch off the mains electrical supply. ⚡
- 2) **For Planted Root Installation:**
Adjust the planted root **A** and fix it on the ground (the post can get adjusted in 90° steps).

In the case of [S] & [R] lenses, the focus is on the alignment. An arrow in the luminaire shows how the direction of light should be orientated.
- 3) Loosen the screws **C** and remove the screw cover **B**. Twist the locking screw **G** and open the door **H** of the post and take it off.
- 4) Insert the connecting cable through the post **D** and the door opening. Adjust post with the cast base **E** and fix it with the provided mounting hardware. Put on the screw cover **B** and firmly tighten the screws **C**.
- 5) Cut connecting cable to the required length. Connect the mains supply leads to their respective connecting cable leads. (N = neutral, L1 = phase, ⊕ = earthing). Check that rating shown on the luminaire label conforms with the mains electrical supply.
- 6) Reposition door **H** and tighten the locking screw **G**.

