

Safety Notice

The manufacturer is discharged from liability when damage is caused by improper use or installation.

If any luminaire and/or accessory is subsequently modified, the persons responsible for the modification shall be considered as manufacturer.

Product Information / Surge Protection

As an option, this luminaire can also be fitted with a surge protector of Type 2-3 (at the time of order). The technical data can be found directly on the installed device. If the surge protector has been triggered by an adverse event, the luminaire is automatically disconnected from the mains. In that case, the LED on the surge protector no longer lights up.

For comprehensive protection of the luminaire against lightning and electrical surges, primary (Type 1) and secondary (Type 2) surge arrestors must be installed into the power supply. We recommend a combination arrestor (Type 1+2+3), which is installed in the control cabinet.

The technical planner/installer is responsible for the proper selection, sizing and installation of the surge protection modules that must be provided on site. Please note the various protection levels for Class I and II, as well as the applicable statutory provisions regarding surge protection. Installation and maintenance may only be performed by a qualified electrician.

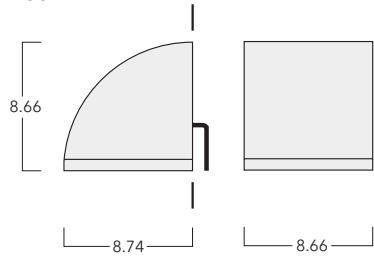
**WE-EF LIGHTING**

Installation and
Maintenance Instructions for
Wall luminaires
surface mounted
OLV300 LED Series

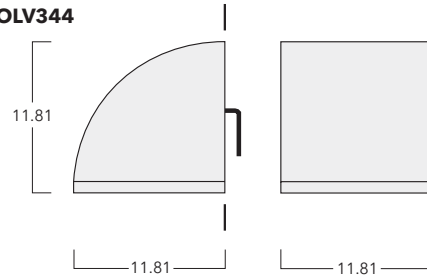
Wall Luminaires surface mounted

IP55, IK08

OLV330 OLV334



OLV340 OLV344



Light Source

OLV330/334. 12 LED 12W / 18W / 24W*

Class I, $t_a \leq 25\text{ }^\circ\text{C}$

OLV340/344. 24 LED 24W / 36W / 48W*

These products contain a light source of energy efficiency class **C** and **D**.

* Nominal power, for latest data refer to www.we-ef.com



Tools required

- 3 mm and 4 mm Allen keys
- Screwdriver with 3x 0,8 mm flat blade

Installation

The product must be installed and maintained by a suitably qualified professional in compliance with latest building/construction and/or electrical regulations and relevant legislation.

⚡ Attention: Switch off mains electrical supply prior to installing and connecting the luminaire. Do not open luminaire while mains supply is switched on.

Notice: If the luminaire is modified by anybody other than the original manufacturer, then the warranty will no longer be valid and shall become the full responsibility of the modifying person/organisation. Claims based on defects attributable to improper installation and/or application, and the consequences thereof, are excluded.

In case of component failure, LED replacement due to abnormal circumstances or at end of life, replacement must be carried out by a suitably qualified and trained professional.

In case of questions please contact our technical hotline: +1 724 742 0030 (from Monday - Friday from 08.00 until 16.00 hours).

Maintenance

Apart from cleaning the product's exterior surfaces, no special maintenance work is required. Do not use high-pressure cleaners.

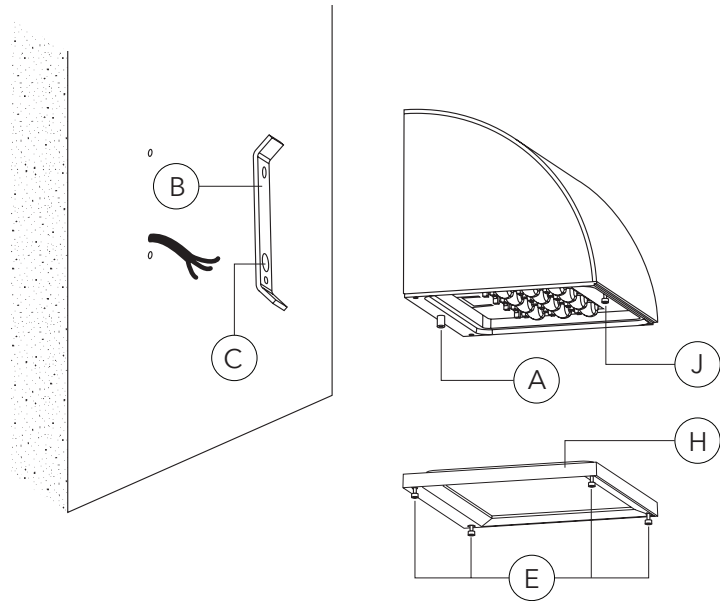
Protect our environment: Discard used LEDs in compliance with the most recent environmental legislation.

Installation Procedure

- 1) Switch off the mains electrical supply. ⚡

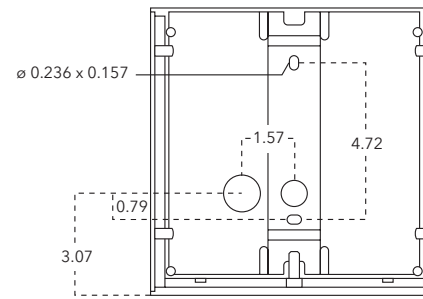


- 2) Mount the frame **H** and firmly tighten the mounting screws **E**.
- 3) Loosen the set screws **A** and take off the mounting bracket **B** from the luminaire. Insert the connection cable through the conduit **C** of the holding device **B** and fasten the holding device **B** to the wall.



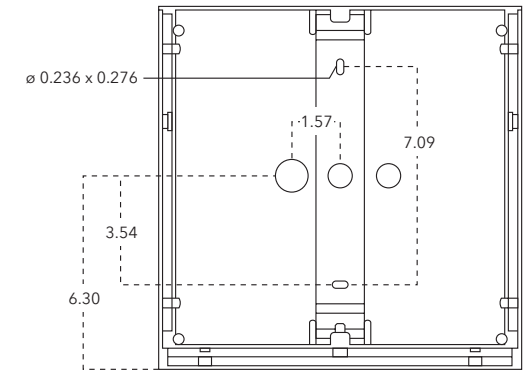
Fixing Dimensions

OLV330/334

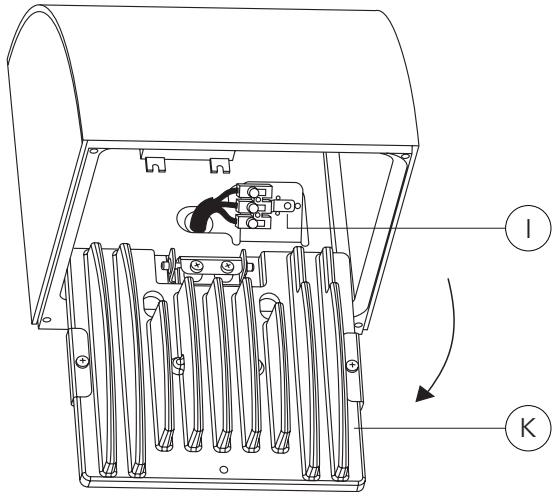


Fixing Dimensions

OLV340/344



- 4) Loosen the screw **J** to release the LED heat sink **K** and swing out.
- 5) Insert connection cable through the luminaire, fix the luminaire to the bracket **B** and fasten with the set screws **A**.
- 6) Connect the connection leads to terminal **I** in accordance with the labelling.
For protection class II, the connecting cable must be double insulated.
- 7) Fold in LED heat sink **K** and fasten using the screw **J**.
- 8) Mount the frame **H** and firmly tighten the mounting screws **E**.



Luminaire Replacement

The LED module can be replaced by qualified personnel with appropriate professional qualifications and with standard tools. To do this, disconnect the luminaire from the power supply and open it. Replace the LED module and close it again. Make sure that the seal is correctly positioned and close the luminaire carefully.

Please take the designation of the LED module from the type indicated on the luminaire.