

Safety Notice

The manufacturer is discharged from liability when damage is caused by improper use or installation.

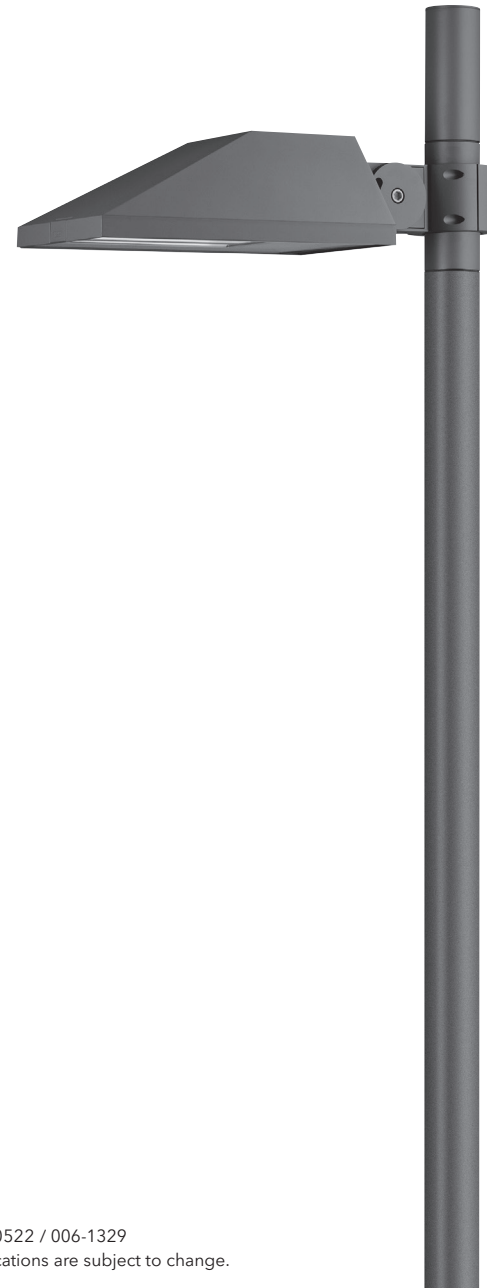
If any luminaire and/or accessory is subsequently modified, the persons responsible for the modification shall be considered as manufacturer.

we-ef

WE-EF LIGHTING

Installation and
Maintenance Instructions for
Post Mounted Luminaire

PFL240 LED



we-ef

A Fagerhult Group Company

WE-EF LIGHTING USA

Tel +1 724 742 0030

info.usa@we-ef.com

we-ef.com

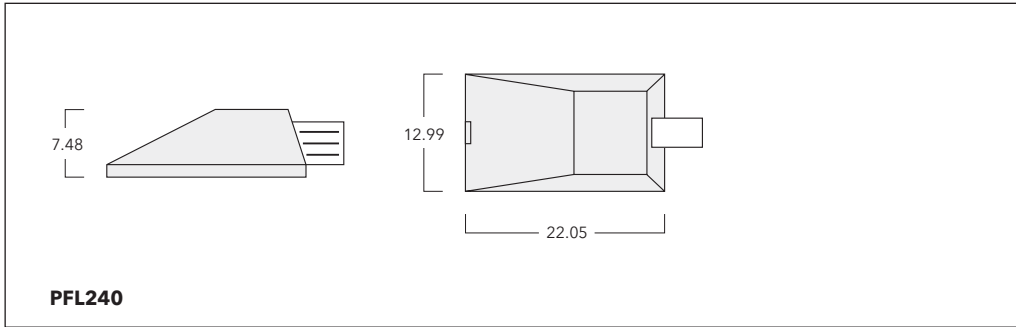
PFL240_LED_190522 / 006-1329

Technical specifications are subject to change.

© WE-EF 2022

Post Mounted Luminaire

IP66, IK08



Light source

18 LED 36W / 24 LED 48W /
18 LED 54W / 24 LED 72W*

* Nominal power, for latest data refer to
www.we-ef.com

Class I, II, ta = 25°



Mounting height: 15 - 20 ft

Weight

PFL240 max. 25.4 lb

Windage area

PFL240 max. 0.97 ft²

Installation: horizontal, light output downwards

Notice: In case the luminaire is equipped with an optional available surge protector, the function can get tested if the signal LED is lit green when the supply voltage is turned on.

In case the surge protector is defective, the LED device gets automatically disconnected from the mains supply.

If the signal LED is not lit, the luminaire is not functioning.

Installation

The product must be installed and maintained by a suitably qualified professional in compliance with latest building/construction and/or electrical regulations and relevant legislation.

Attention! Do not open luminaire while mains supply is switched on.

Maintenance

Apart from cleaning the product's exterior surfaces, no special maintenance work is required. Do not use high-pressure cleaners.

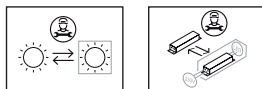
Protect our environment: Discard used LEDs in compliance with the most recent environmental legislation.

Notice: If the luminaire is modified by anybody other than the original manufacturer, then the

warranty will no longer be valid and shall become the full responsibility of the modifying person/organisation. Claims based on defects attributable to improper installation and/or application, and the consequences thereof, are excluded.

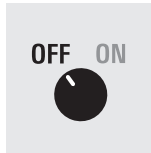
In case of component failure due to abnormal circumstances or at end of life, replacement must be carried out by a suitably qualified and trained professional.

In case of questions please contact our technical hotline at +1 724 742 0030 (Monday - Friday from 08:00 until 16:00 hours).

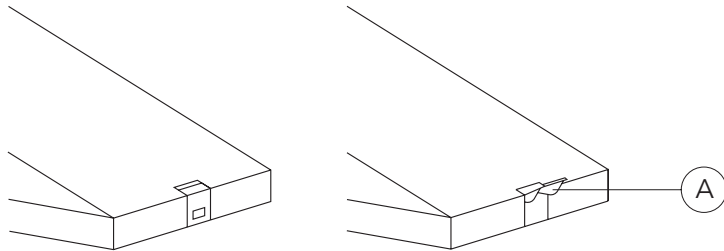


Installation Procedure

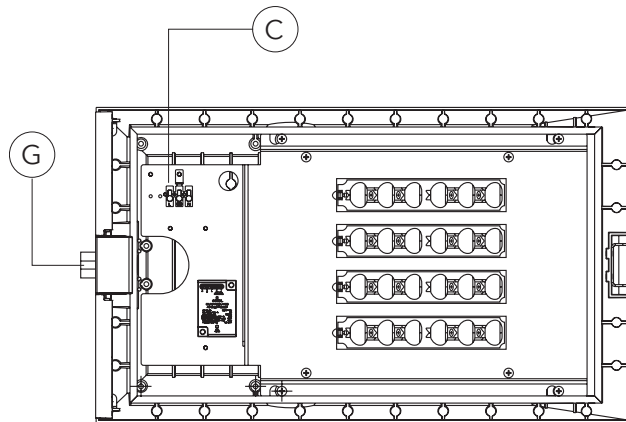
- 1) Switch off the mains electrical supply. ⚡



- 2) To open luminaire, release locking device **A**.
Then detach lens frame **B**.



- 3) Connect to the respective terminals in the terminal connector **C** (N = neutral, L1 = phase, ⊕ = earthing).
- 4) Check that rating shown on the luminaire label conforms with the mains electrical supply.



- 5) Pull the connection cable **X** (cut according to the pole height) through the pole bracket and the protective corrugated tube and insert it through the cable gland **G** into the luminaire. Tighten cable gland **G**, attach the bracket **F** to the luminaire and attach the protective corrugated tube to the cable gland **G**.
- 6) Attach cover **B**, close and lock it.
- 7) Feed cable through top of column, while setting luminaire in position. Secure luminaire by evenly tightening the six hexagon socket screws **H** with 10 Nm (88.5 in-lb).

