

Safety Notice

The manufacturer is discharged from liability when damage is caused by improper use or installation.

If any luminaire and/or accessory is subsequently modified, the persons responsible for the modification shall be considered as manufacturer.

Notice: In case the luminaire is equipped with an optional available surge protector, the function can get tested if the signal LED is lit green when the supply voltage is turned on.

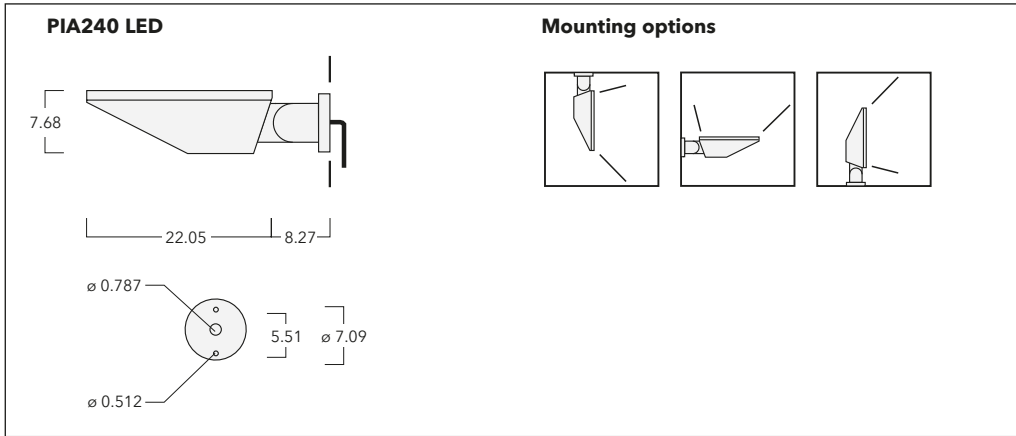
In case the surge protector is defective, the LED device gets automatically disconnected from the mains supply. If the signal LED is not lit, the luminaire is not functioning.

**WE-EF LIGHTING**

Installation and
Maintenance Instructions for
Facade & Ceiling Washlight
surface mounted
PIA240 LED

Facade and Ceiling Washlight

IP66, IK08

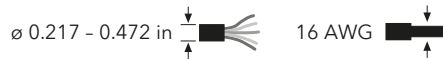


Light source

18 LED 54W / 24 LED 72W

* Nominal power, for latest data refer to
www.we-ef.com

Class I, II, ta = 25 °C



Mounting height 15 - 20 ft

Weight

PIA240 47.4 lb

Windage area

PIA240 max. 1.61 ft²

Installation

The product must be installed and maintained by a suitably qualified professional in compliance with latest building/construction and/or electrical regulations and relevant legislation.

⚡ Attention: Do not open luminaire while mains supply is switched on.

Notice: If the luminaire is modified by anybody other than the original manufacturer, then the warranty will no longer be valid and shall become the full responsibility of the modifying person/organisation. Claims based on defects attributable to improper installation and/or application, and the consequences thereof, are excluded.

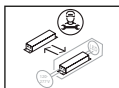
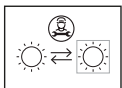
In case of component failure, LED replacement due to abnormal circumstances or at end of life, replacement must be carried out by a suitably qualified and trained professional.

In case of questions please contact our technical hotline: +1 724 742 0030 (from Monday - Friday from 08.00 until 16.00 hours).

Maintenance

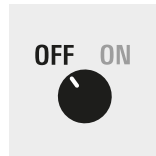
Apart from cleaning the product's exterior surfaces, no special maintenance work is required. Do not use high-pressure cleaners.

Protect our environment: Discard used LEDs in compliance with the most recent environmental legislation.



Installation Procedure

- 1) Switch off the mains electrical supply. ⚡



- 2) Loosen screws **B** and remove luminaire **A**. Lead the connecting cable through the wall fixing and fasten to the wall with suitable fixing material **I** (not supplied by WE-EF).
- 3) Loosen screws **D** and open cover **E**.
- 4) Lead the connecting cable through the cable gland inside the luminaire. Attach luminaire on to wall fixing **A** and firmly tighten with screws **B**. Firmly tighten cable gland **C**.
- 5) Cut the connecting line and connect to the respective terminals in the terminal connector **H** (N = neutral, L1 = phase, ⊕ = earthing).
Check that rating shown on the luminaire label conforms with the mains electrical supply.
- 6) Close cover **E** and firmly tighten screws **D**.

