



WE-EF LIGHTING

Installation and Maintenance Instructions

Bollard

PSY414 LED

PSY424 LED

PTY414 LED

PTY424 LED



Do not open during installation

This product is factory-sealed. Refer to the instructions contained in this document for details.



Surge Protection

This product features built-in surge protection circuitry in compliance with applicable standards.

For comprehensive protection of a luminaire installation against lightning and electrical surges, it is essential to cover mains supply and data input lines at the distribution board level, by using respective primary (Type 1) and secondary (Type 2) surge arrestors in compliance with EN61643-11/ IEC61643-1.



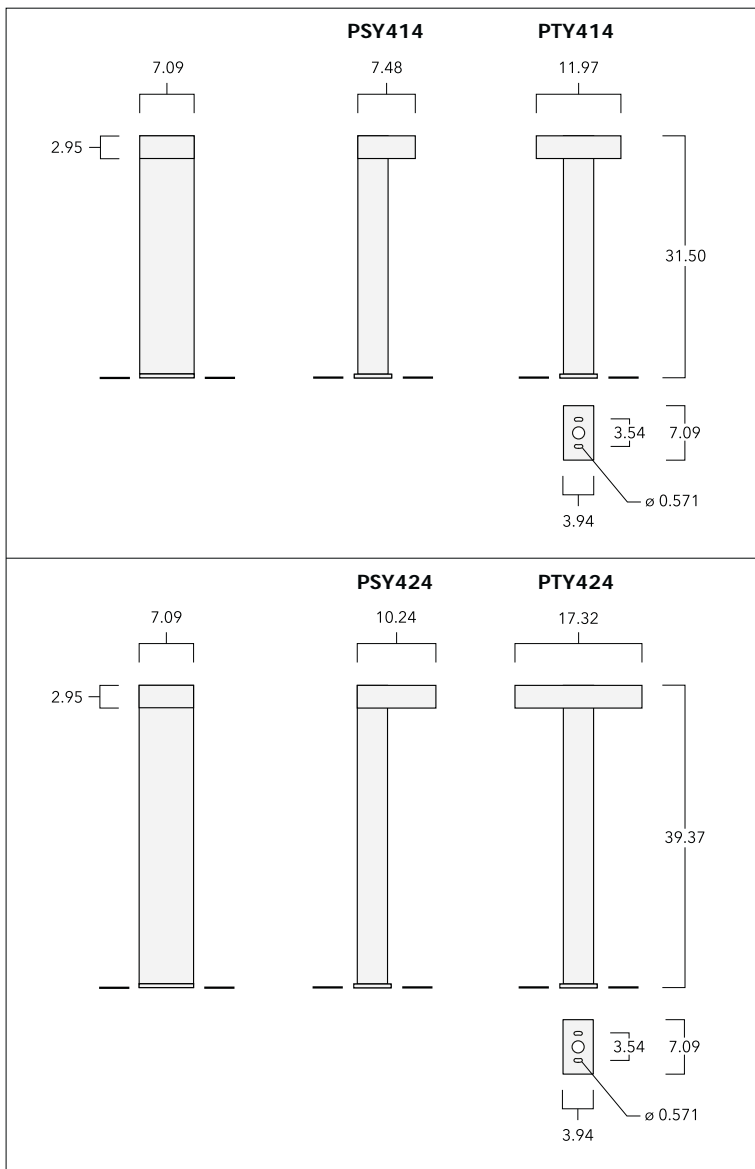
Installation tools

Mounting hardware used on this product includes fasteners with hexalobular socket heads (ISO 10664). Installation requires the use of matching tools.

Warning

Ensure that all required surge protection measures are in place and activated prior to luminaire installation. Also, disconnect luminaires before operating high-power devices such as, for example, electrical arc welders.

Bollard



IP66/IP67, IK10, Class I, $t_a = 40^\circ\text{C}$

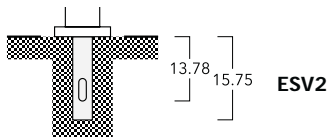
Weight

	lb
for PSY414	29.3
for PSY424	35.5
for PTY414	30.9
for PTY424	41.9

Accessories:

Planted root - Galvanised steel. lb

ESV2 for PSY414/424 **300-9115** 8.4



Light Source

LED

Maintenance

Apart from cleaning the product's exterior surfaces, no special maintenance work is required.

Do not use high-pressure cleaners.

In case of component failure due to abnormal circumstances or at end of life, replacement must be carried out by a suitably qualified and trained professional.

Warning: Do not open luminaire while mains supply is switched on.

Installation

The product must be installed and maintained by a suitably qualified professional in compliance with latest building/construction and/or electrical regulations and relevant legislation.

Warning: Switch off mains electrical supply prior to installing and connecting the luminaire.

Notice: If the luminaire is modified by anybody other than the original manufacturer, then the warranty will no longer be valid and shall become the full responsibility of the modifying person/organisation. Claims based on defects attributable to improper installation and/or application, and the consequences thereof, are excluded.

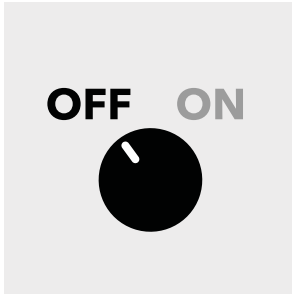
Attention: The luminaire is factory-sealed and does not need to be opened during installation.

The installation on site must comply with local and/or national health and safety regulations.

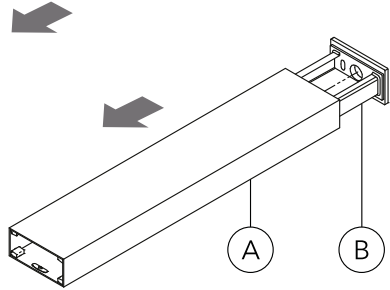
Installation Procedure

It is recommended to incorporate the optional planted root to ensure maximum stability.

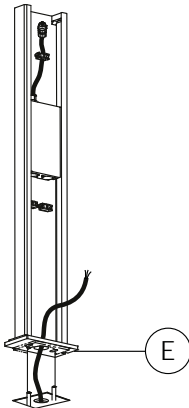
- 1) Switch off mains electrical supply.



- 2) Remove sleeve **A** from post **B**.

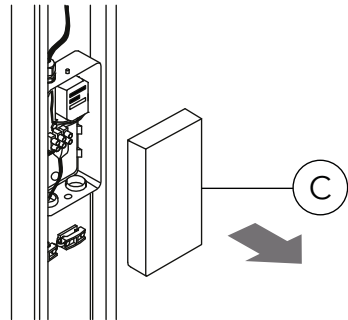


- 3) Pull cable through centre-hole and fasten flange plate **E** with provided fasteners to ground. Ensure proper orientation of terminal box. An optional planted root is available.

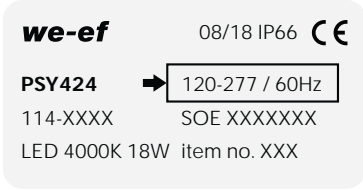


Note: Planted root installation instruction is available in additional document.

- 4) Remove terminal box cover **C** as shown.

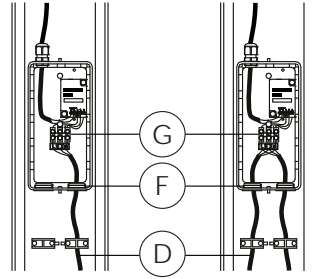


- 5) Check that rating shown on luminaire label conforms with mains electrical supply.

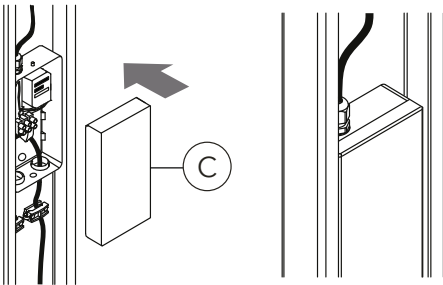


(example)

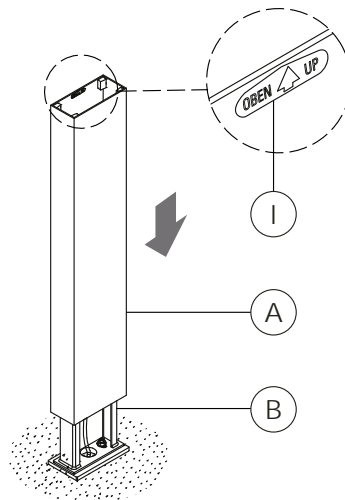
- 6) Pull cable **D** (and second cable for through wiring, if required) through strain relief(s) **F** and terminate in terminal block **G**. Lock cable(s) with strain relief(s).



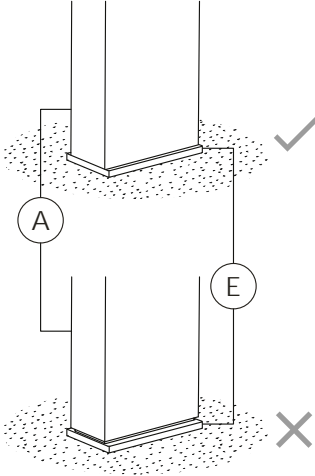
- 7) Return terminal box cover **C**.



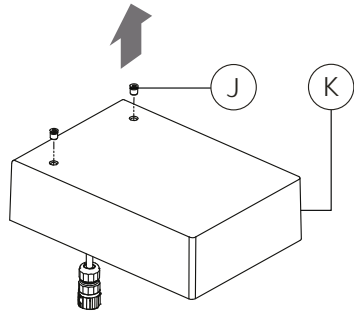
- 8) Place sleeve **A** over post **B** with sticker **I** pointing up as shown.



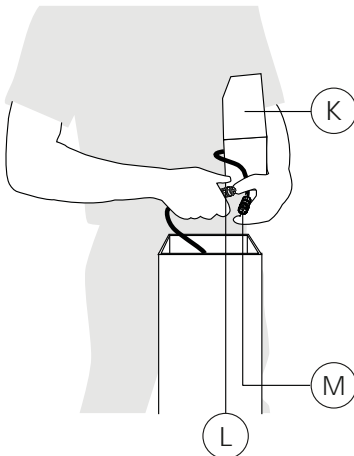
9) Align sleeve **A** into flange plate **E**
(good and bad engagement).



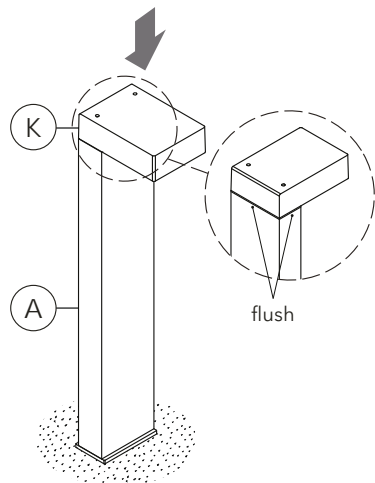
10) Remove countersunk screws **J** from head **K**
with Torx 25 tool (supplied by WE-EF).



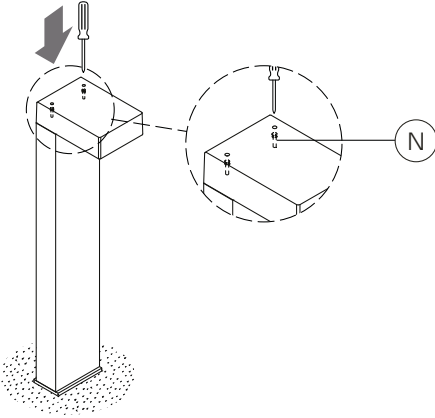
11) Hold head **K** under arm. Grab socket **L**,
connect and tighten with plug **M**.



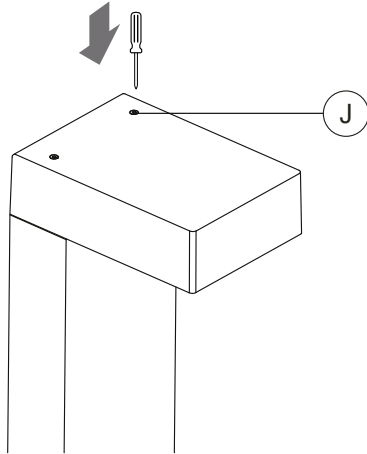
12) Place head **K** over sleeve **A** and check for
alignment.



13) Tighten recessed screws **N** gradually in alternating sequence 6 Nm (53.1 in-lb) with Torx 30 tool (supplied by WE-EF).



14) Return countersunk screws **J** into head and tighten.



we-ef

www.we-ef.com

WE-EF LIGHTING

United States of America

Tel +1 724 742 0030

Fax +1 724 742 0035

info.usa@we-ef.com

TO9245W0422 © WE-EF 2022

Technical specifications are
subject to change.

WE-EF LIGHTING

Installation and Maintenance
Instructions

Planted Root

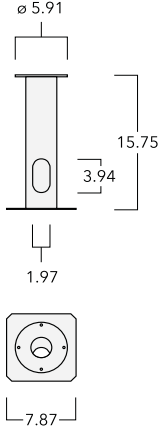
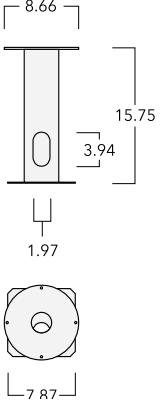
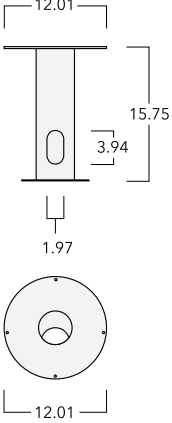
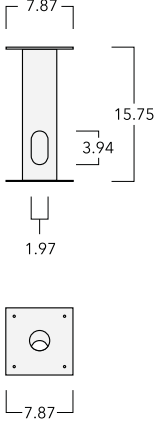
ESV4

ESV2

ESV6



Planted Root

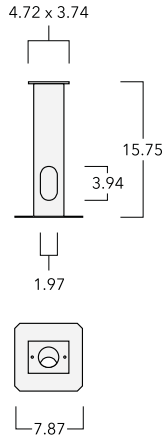
<p>ESV4 300-0461</p> <p>Suitability</p> <ol style="list-style-type: none"> 1. KTX234 2. KTY234 3. ZFY230 4. GRY224 5. Short post 	<p>ESV4 300-0464</p> <p>Suitability</p> <ol style="list-style-type: none"> 1. CFY259 2. GRY234 3. RRY324 4. RRZ324 5. XRY324 6. XRZ324 
<p>ESV4 300-0586</p> <p>Suitability</p> <ol style="list-style-type: none"> 1. XRY334 2. XRZ334 3. RRY334 4. RRZ334 	<p>ESV4 300-0459</p> <p>Suitability</p> <ol style="list-style-type: none"> 1. OSI254 

Planted Root

ESV2 300-9115

Suitability

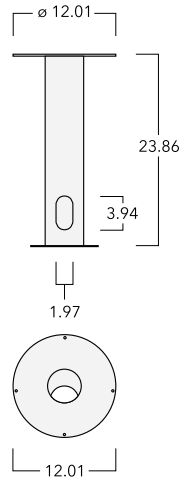
- 1. PSY414/424



ESV6 300-0457

Suitability

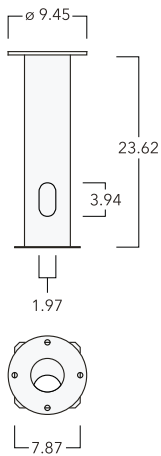
- 1. LTM440
- 2. LTM444
- 3. AMW-C
- 4. AMF-C
- 5. AMF-S
- 6. AML-C



ESV6 300-0824

Suitability

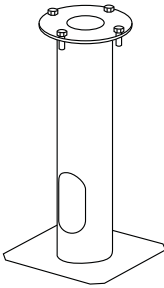
- 1. AML-C
- 2. FLA461



Installation Instruction

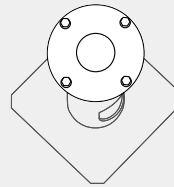
- 1) Note: It is the responsibility to installer to ensure the suitability of the ESV planted root for any local or national structural requirements for installation, and that planted root is suitable for site specific conditions.

Instructions are a guideline for installation to these requirements and provide detail for installation orientation and mounting details.

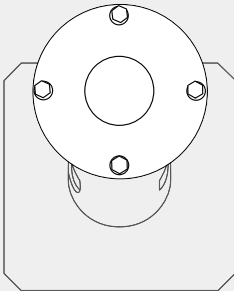


- 2) Please note, ESV4 and ESV6 must be orientated correctly for different products. In both instances conduit entry can be rotated to match cable routing.

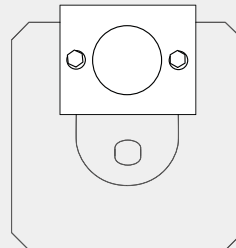
When the ESV is being installed for following products: KTY234/KTX234/ZFY230/CFY259/FLA461, please orientate the planted root as shown (base plate is at an angle of 45° to the pathway). For this installation, use the M8 bolts supplied.



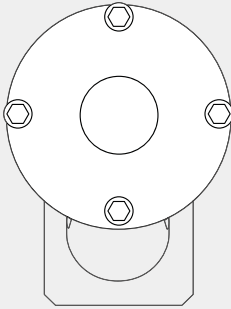
- 3) For all other product that use ESV4 please orientate planted root as shown (base plate is parallel to the pathway). For this installation, use M8 bolts supplied.



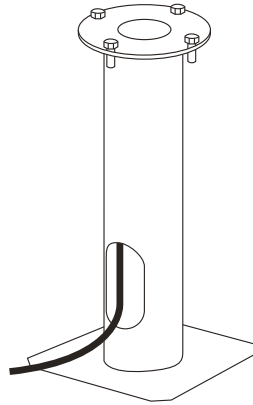
- 4) For ESV2 please orientate planted root as shown (base plate is parallel to the pathway). For this installation, use M12 bolts supplied.



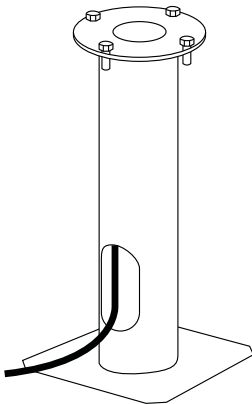
5) For all other product that use ESV6 please orientate planted root as shown (base plate is parallel to the pathway). For this installation, use M16 bolts supplied.



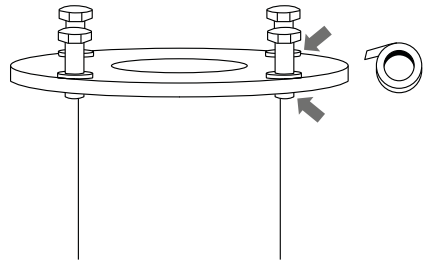
6) Orientate ESV as required and fit electrical connections/conduit.



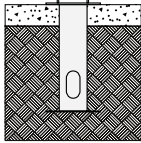
7) Place the ESV in the form work for concrete pad, ensuring orientation, position and levels are correct. Ensure all openings on ESV are blanked off, including mounting plate hole.



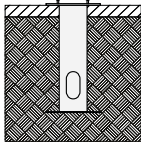
8) Fit the nominated bolts through mounting flange. Ensure several threads feed through the plate and tape off top and bottom. Bolts are inserted to protect threads off plate and need to be removed for fitting installation after setting the ESV.



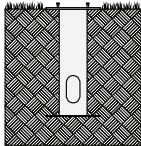
9) Pour concrete to desired level depending on requirement of concrete, paver or soil. Ensure that for any installation mounting flange must be flush or higher than surrounding surface level.



Concrete

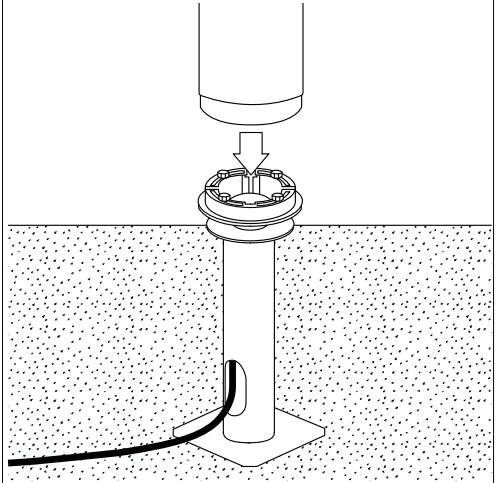


Paver



Soil

10) After concrete has cured for specified time, remove blanking and bolts. Install fitting (as per luminaire instructions) onto mounting flange.



we-ef

www.we-ef.com

WE-EF LIGHTING

United States of America

Tel +1 724 742 0030

Fax +1 724 742 0035

info.usa@we-ef.com

TO9257W0422 © WE-EF 2022

Technical specifications are
subject to change.