

Safety Notice

The manufacturer is discharged from liability when damage is caused by improper use or installation.

If any luminaire and/or accessory is subsequently modified, the persons responsible for the modification shall be considered as manufacturer.

Product Information / Surge Protection

As an option, this luminaire can also be fitted with a surge protector of Type 2-3 (at the time of order). The technical data can be found directly on the installed device. If the surge protector has been triggered by an adverse event, the luminaire is automatically disconnected from the mains. In that case, the LED on the surge protector no longer lights up.

For comprehensive protection of the luminaire against lightning and electrical surges, primary (Type 1) and secondary (Type 2) surge arrestors must be installed into the power supply. We recommend a combination arrestor (Type 1+2+3), which is installed in the control cabinet.

The technical planner/installer is responsible for the proper selection, sizing and installation of the surge protection modules that must be provided on site. Please note the various protection levels for Class I and II, as well as the applicable statutory provisions regarding surge protection. Installation and maintenance may only be performed by a qualified electrician.



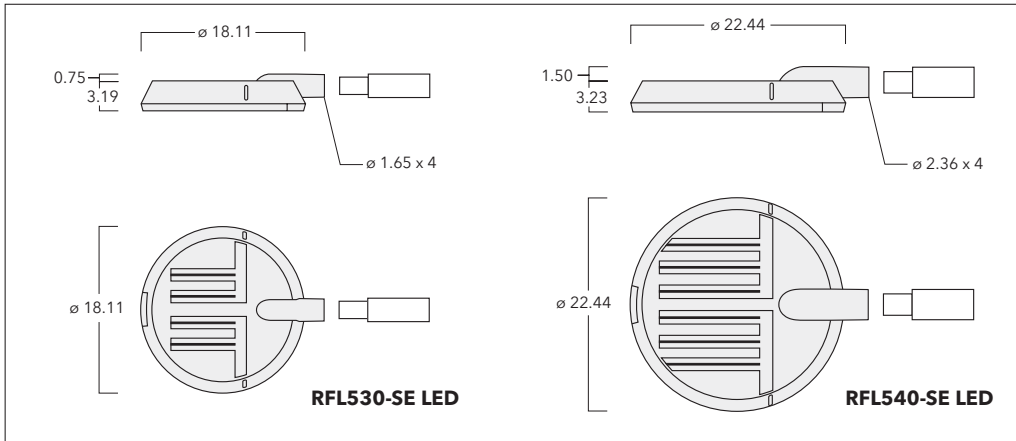
WE-EF LIGHTING

Installation and
Maintenance Instructions for
Post Mounted Luminaires

RFL540-SE LED Series

Post Mounted Luminaires

IP66, IK07

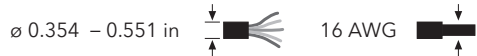


Light source

RFL530-SE LED 12 LED 12W / 24 LED 24W*
 12 LED 24W / 24 LED 48W*
 RFL540-SE LED 36 LED 36W / 48 LED 48W*
 36 LED 72W / 48 LED 96W*

* Nominal power, for latest data refer to
www.we-ef.com

Class I, II ta = 25 °C



Mounting Height 10 - 26 ft
 Installation: horizontal, light output downwards
 Weight
 RFL530-SE LED max. 20.5 lb
 RFL540-SE LED max. 33.1 lb
 Windage area
 RFL530-SE LED max. 1.79 ft²
 RFL540-SE LED max. 2.74 ft²

Tools required

- 4 mm Allen key
- diagonal cutting pliers

Installation

The product must be installed and maintained by a suitably qualified professional in compliance with latest building/construction and/or electrical regulations and relevant legislation.

Notice: If the luminaire is modified by anybody other than the original manufacturer, then the warranty will no longer be valid and shall become the full responsibility of the modifying person/organisation. Claims based on defects attributable to improper installation and/or application, and the consequences thereof, are excluded.

In case of component failure, LED replacement due to abnormal circumstances or at end of life,

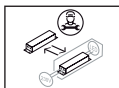
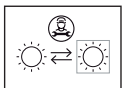
replacement must be carried out by a suitably qualified and trained professional.

In case of questions please contact our technical hotline: +1 724 742 0030 (from Monday - Friday from 08.00 until 16.00 hours).

Maintenance

Apart from cleaning the product's exterior surfaces, no special maintenance work is required. Do not use high-pressure cleaners.

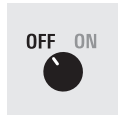
Protect our environment: Discard used LEDs in compliance with the most recent environmental legislation.



Installation Procedure

Luminaire prewired, do not open!

- 1) Switch off the mains electrical supply. ⚡



- 2) Cut cable to the corresponding height of the pole and connect cable to the connector **A** (fig. 1-6).

not dimmable luminaires

Phase (L1) to 1, Neutral (N) to N and Earthing ⊕

WE-EF Supply Cable Connector Accessory Instructions



fig. 1



fig. 2



fig. 3



fig. 4



fig. 5

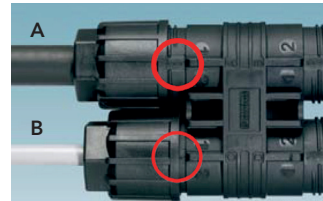


fig. 6



fig. 7

0-10V

Phase (L1) to 1, Neutral (N) to N, Control Phase (+) to 2, Control Phase (-) to 3 and Earthing ⊕

Compare the local voltage and frequency with date mentioned on the label of the luminaire.

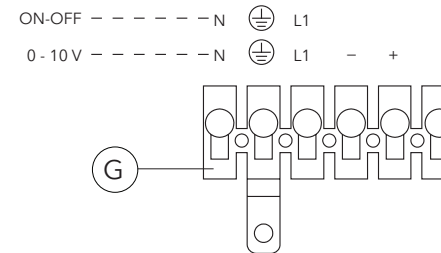
Screw the gland nut together, tightening to a torque of 5 Nm (44.3 in-lb) (fig. 5).

Pull the connecting cable through the pole.

- 3) Place the luminaire on the pole and tighten the fixing screws **B**, tightening to a torque of 10 Nm (88.6 in-lb).

- 4) Should the cable connector not fit through the outreach bracket **C** (fig. 9), then this must first be disassembled from the connecting lead, then the connecting lead **E** can be passed through the outreach bracket **C**. Attach luminaire to outreach bracket **C** and tighten the fixing screws **B** with an approximate torque of 5 Nm (44.3 in-lb).

fig. 10 Wiring diagram luminaire



- 5) All brackets, that do not allow the cable connector to be passed through e.g., RX0, RI_ or other adapters, the luminaire must be connected in accordance with the wiring diagram (fig. 10-11).

fig. 11

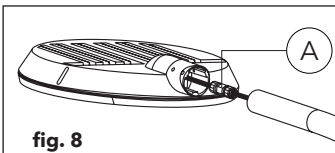
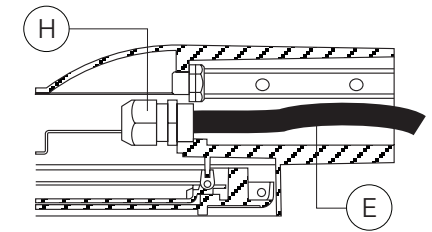


fig. 8

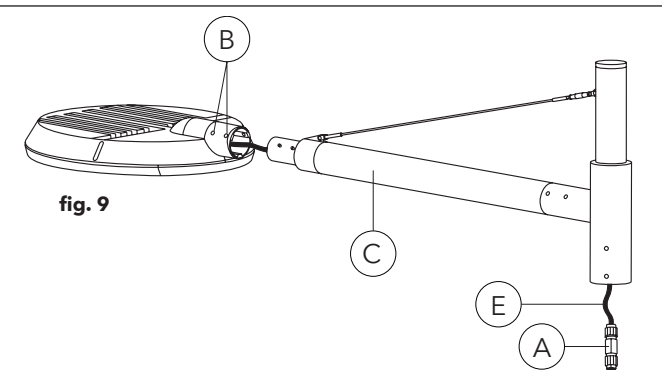


fig. 9