

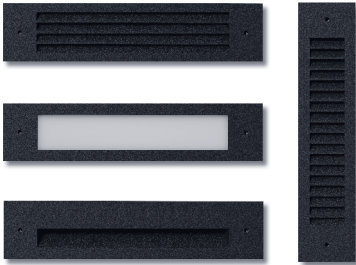
Safety Notice

The manufacturer is discharged from liability when damage is caused by improper use or installation.

If any luminaire and/or accessory is subsequently modified, the persons responsible for the modification shall be considered as manufacturer.

Surge Protection

This product features built-in surge protection circuitry in compliance with applicable standards. For comprehensive protection of a luminaire installation against lightning and electrical surges, it is essential to cover mains supply and data input lines at the distribution board level, by using respective primary (Type 1) and secondary (Type 2) surge arrestors in compliance with EN61643-11/IEC61643-1.

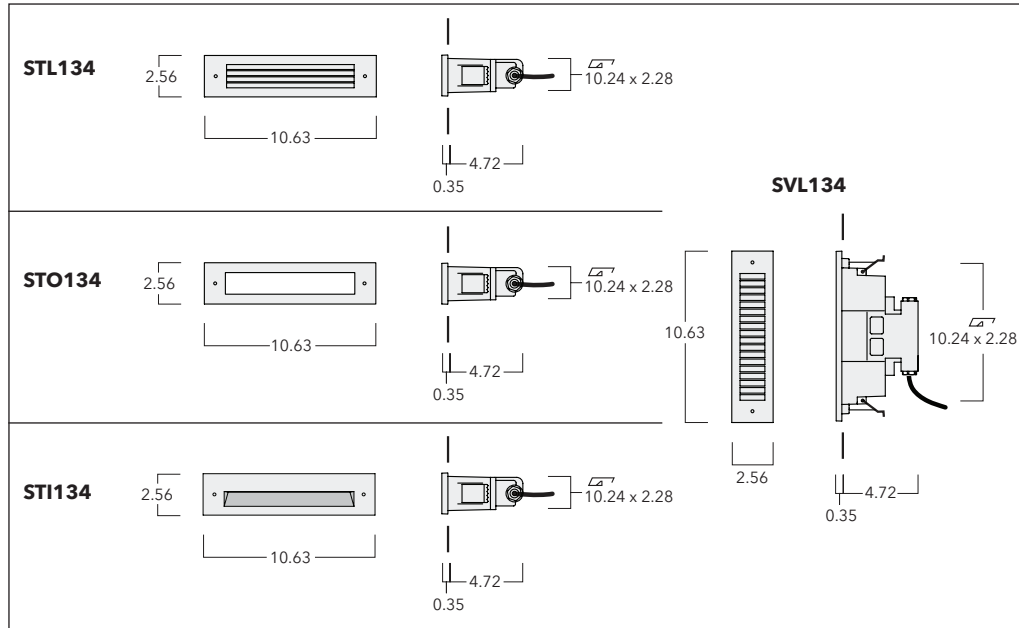


WE-EF LIGHTING

Installation and
Maintenance Instructions for
Steplights
STL134 LED
SVL134 LED
STO134 LED
STI134 LED

Steplights

IP66, IK07

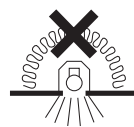


Light Source

STO134..... LED 5W*
 STL134 / STI134 / STL134..... LED 6W*

Schutzklasse / Class I, ta 40 °C

* Nominal power, for latest data refer to
www.we-ef.com



max. ø 0.276 - 0.374 in

Installation Accessories: BST Installation Blockouts

Type I: Luminaire frame proud of surface.

Type II: Luminaire frame flush with surface.

Installation blackout - Typ I

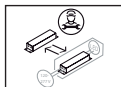
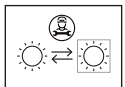
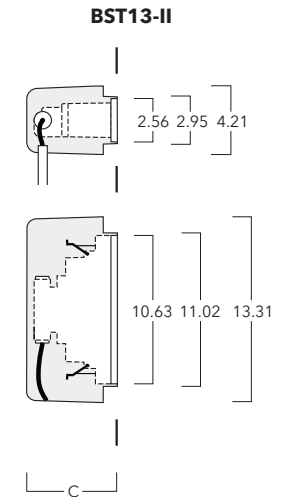
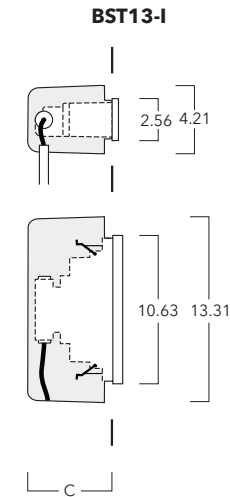
C

BST13-I for STL/SVL/STO/STI134 **190-9030** 5.12

Installation blackout - Typ II

C

BST13-II for STL/SVL/STO/STI134 **190-9031** 5.71



Installation

The product must be installed and maintained by a suitably qualified professional in compliance with latest building/construction and/or electrical regulations and relevant legislation.

⚡ Attention: Do not open luminaire while mains supply is switched on.

Notice: If the luminaire is modified by anybody other than the original manufacturer, then the warranty will no longer be valid and shall become the full responsibility of the modifying person/organisation. Claims based on defects attributable to improper installation and/or application, and the consequences thereof, are excluded.

In case of component failure, LED replacement due to abnormal circumstances or at end of life, replacement must be carried out by a suitably qualified and trained professional.

In case of questions please contact our technical hotline: +1 724 742 0030 (from Monday - Friday from 08.00 until 16.00 hours).

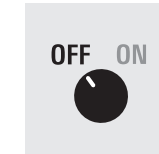
Maintenance

Apart from cleaning the product's exterior surfaces, no special maintenance work is required. Do not use high-pressure cleaners.

Protect our environment: Discard used LEDs in compliance with the most recent environmental legislation.

Installation Procedure

1) Switch off the mains electrical supply. ⚡



2) Check that rating shown on luminaire label conforms with mains electrical supply.

(example)

we-ef	12/17 IP66 CE
STO134-LED	120-277V / 60 Hz
190-XXXX ➔	SOE XXXXXXX
LED 4000K 5W	item no. XXX

Installation Methods

For concrete or brick walls with recess provided by civil contractor:

- a) BST installation blockout (**Fig. 1**).
- b) Cavity (**Fig. 2**).

For stud walls with provision made by civil or electrical contractor: Simple rectangular opening (**Fig. 3**).

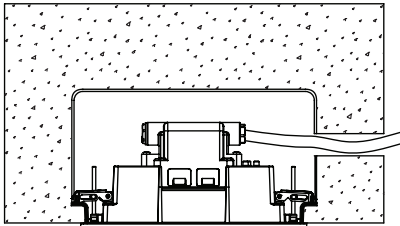


Fig. 1

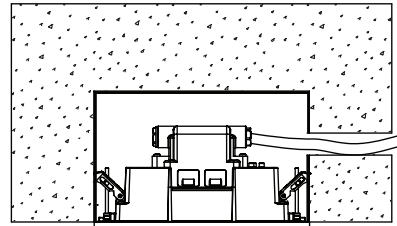


Fig. 2

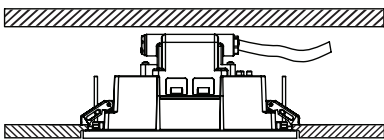
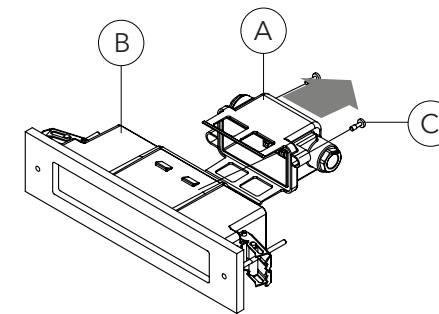
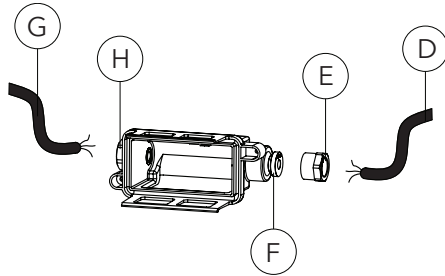


Fig. 3

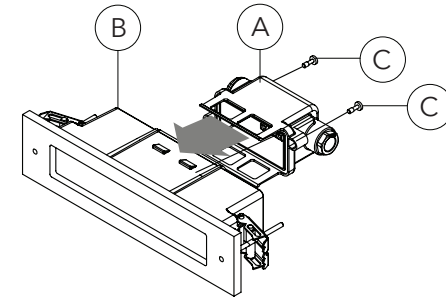
3) Unclip the terminal box **A** from the luminaire housing **B** after loosening screws **C**.



4) Feed mains supply cable **D** through pressure screw **E** and packing ring **F**. The packing ring suits cables between dia. 0.276 - 0.374 in.



6) Clip terminal box **A** onto luminaire housing **B** and secure with screws **C**.



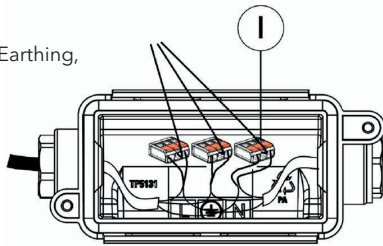
5) Connect the mains supply lead(s) to their respective terminals in wire nuts **I**:

a) **ON / OFF**

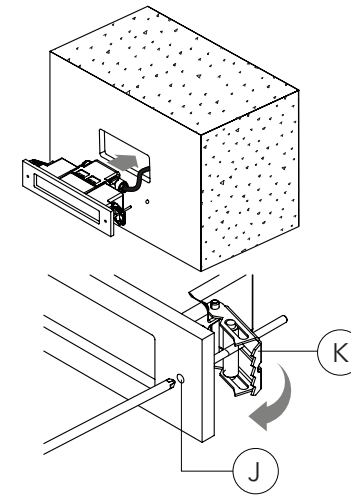
(L = Phase, N = Neutral, ⊕ = Earthing)

b) **0-10V**

(L = Phase, N = Neutral, ⊕ = Earthing, D-/D+ = 0-10V control line).



7) Set luminaire in position. Secure luminaire by firmly tightening screws **J** using a Torx T-20 tool, which will drive claws **K**.



Safety Notice

The manufacturer is discharged from liability when damage is caused by improper use or installation.

If any luminaire and/or accessory is subsequently modified, the persons responsible for the modification shall be considered as manufacturer.

we-ef

WE-EF LIGHTING

Installation and
Maintenance Instructions for
Blockout
BST13-I
BST13-II



we-ef

A Fagerhult Group Company

WE-EF LIGHTING USA

Tel +1 724 742 0030

info.usa@we-ef.com

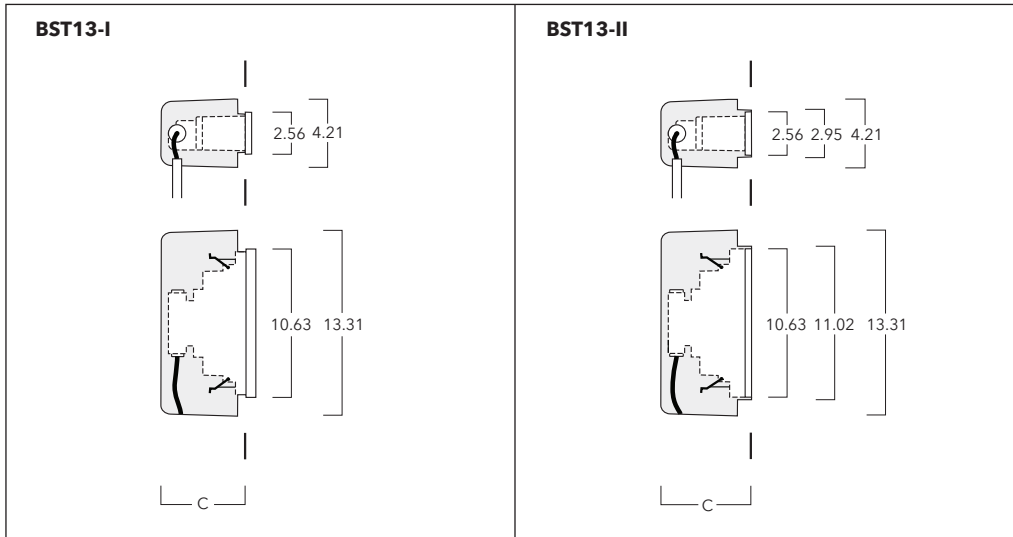
we-ef.com

BST13_180722 / 006-1516

Technical specifications are subject to change.

© WE-EF 2022

Blockouts



Installation Blockouts

For exposed concrete walls. To accommodate recessed wall luminaires.

Type I Blockouts

Luminaire faceplate remains proud of wall surface. Actual recessed depth $\langle C \rangle$ is kept to a minimum.

Type II Blockouts

For totally flush luminaire installation. Note increased depth 'C'.

Installation blackout - Typ I

BST13-I for STL/SVL/STO/STI134 190-9030 5.12

Installation blackout - Typ II

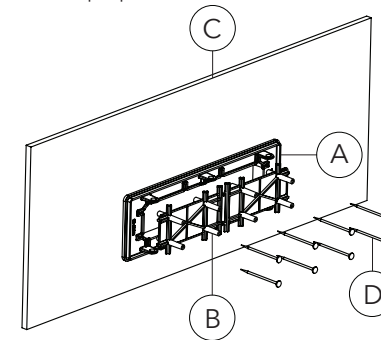
BST13-II for STL/SVL/STO/STI134 190-9031 5.71

Installation

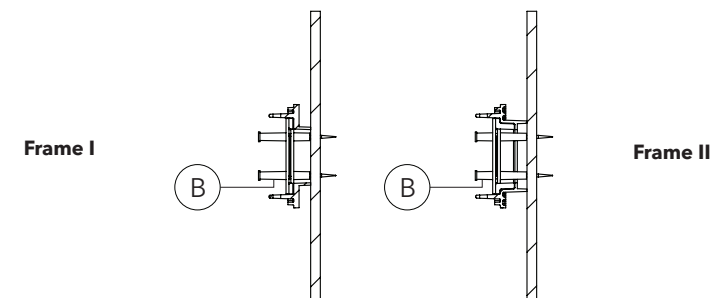
The product must be installed and maintained by a suitably qualified professional in compliance with latest building/construction and/or electrical regulations and relevant legislation.

Installation Procedure

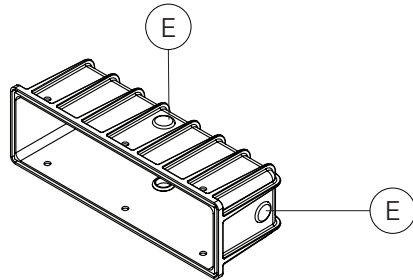
- 1) Determine exact location of mounting frame **A**. Secure mounting frame **A** and mounting grid **B** to formwork **C** with nails **D** (not included). Where several luminaires are to be installed in one row, pay particular attention to proper alignment.



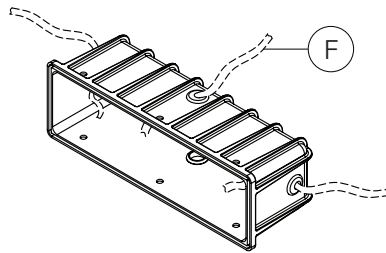
- 1.1) Pay attention to correct orientation of mounting grid **B**, depending on using frame type I or II:



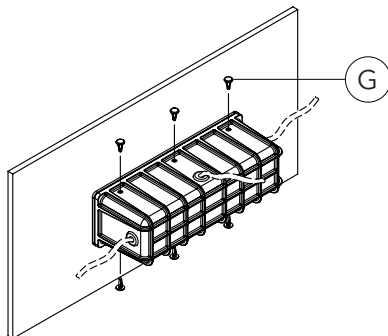
2) Pierce or remove grommet(s) **E** as required for cables or conduits. Four entry holes allow horizontal or vertical through wiring.



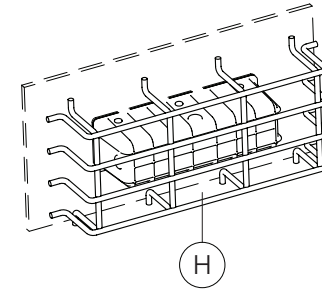
3) Pull at least 8 in of cable(s) **F** into the bucket and prevent them from slipping out when concrete is poured.



4) Slip mounting bucket over mounting grid and secure by pushing the six drive fasteners **G** through the holes provided.



5) Provide adequate reinforcement cage **H** in order to prevent damage to unit while pouring concrete.



6) While pouring concrete, ensure that mounting frame **A** is not damaged, and that bucket maintains its original shape and remains in its original location.

Follow specifications of DIN1045 regarding pouring of concrete (or those of equivalent international standards). Do not pour concrete from excessive height directly onto block-out.

7) After dismantling formwork **C**, push mounting grid **I** into the bucket at the center. It'll break and then can be easily removed.

