

WE-EF LIGHTING USA LLC

410-D Keystone Drive
Warrendale, PA 15086
USA
Tel +1 724 742 0030
Fax +1 724 742 0035
info.usa@we-ef.com
www.we-ef.com

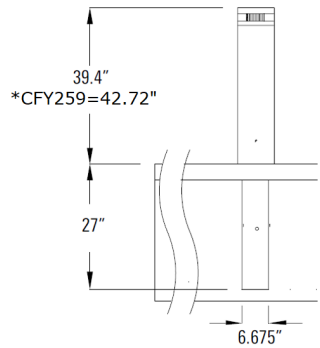
WE-EF LIGHTING USA LLC

Installation and Maintenance
Instructions for Security Bollards
KTY234 / ZFY230 / ZFY250 / CFY259
SC40 / PU40 / *M30 / *M30 SHALLOW RATINGS

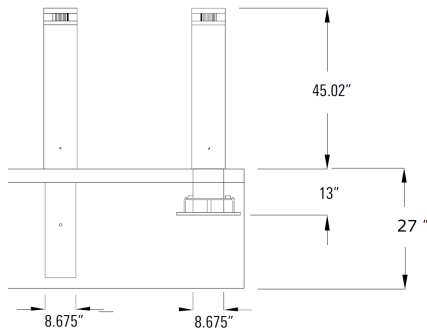


**Installation and Maintenance
Instructions for
Security Bollards**

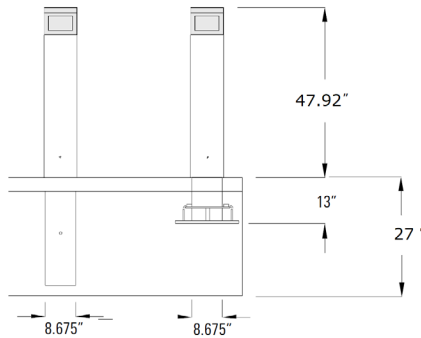
**ZFY230/ZFY250/KTY234/*CFY259
(SC40/PU40)**



ZFY250 (M30/M30 SHALLOW)



CFY259 (M30/M30 SHALLOW)

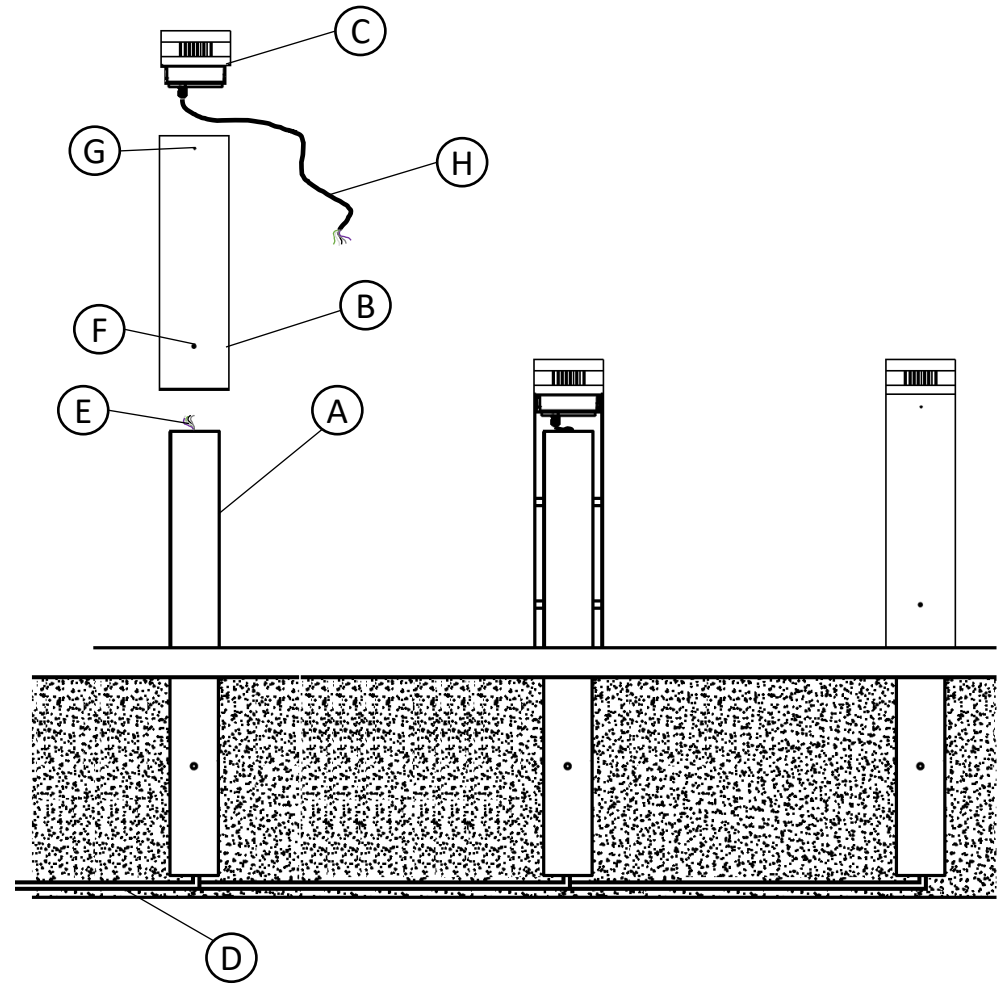


Light Source:

- KTY234 : 3LED 9/13W ; 6LED 18/26W**
- ZFY230 : 1LED 17W**
- ZFY250 : 1LED 17/24W**
- CFY259 : 6LED 12/18W ; 12LED 24/36W**

This product should be installed in accordance with the applicable installation code by a person familiar with the construction and operation of the product and the hazards involved. Be sure the electrical supply is off prior to installation.

1. Ensure that power is disconnected before beginning installation.
2. Install impact rated steel core **A** into foundation following the footing and concrete installation specification (provided separately). Power conduit **D** should be routed through the bottom of the steel core **A**, input connections **E** should reach through the top of the steel core for termination to fixture.
3. Loosen set screw **G** and twist fixture head **C** to remove. Slide bollard post **B** over steel core **A** and tighten mounting set screws **F** around base to affix bollard.
4. Terminate power cable **H** to input connections **E**.
5. Place fixture head **C** onto bollard post **B** making sure that power cable **H** is placed safely in the center of the steel core **A**, twist until secure. Refasten set screw **G**.



**Lamp Replacement and
Maintenance:**

Do not open luminaire while in operation or while mains supply is switched on!

Apart from cleaning the outside of the luminaire, no special maintenance work is necessary.

LED circuit boards can be replaced **(Installer must be properly grounded and familiar with ESD damage prevention methods).**