



WE-EF LEUCHTEN
Installation and Maintenance
Instructions

Wall luminaire/Recessed
TRO259 LED



Surge Protection

This product features built-in surge protection circuitry in compliance with applicable standards.

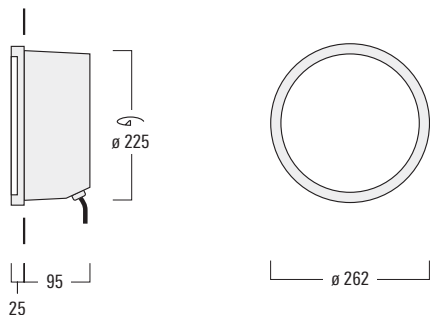
For comprehensive protection of a luminaire installation against lightning and electrical surges, it is essential to cover mains supply and data input lines at the distribution board level, by using respective primary (Type 1) and secondary (Type 2) surge arrestors in compliance with EN61643-11/IEC61643-1.

Warning

Ensure that all required surge protection measures are in place and activated prior to luminaire installation. Also, disconnect luminaires before operating high-power devices such as, for example, electrical arc welders.

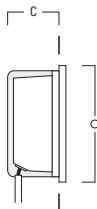
Wall Luminaires/Recessed

TR0259



IP65, Class I, ∇ , $t_a \leq 40^\circ\text{C}$

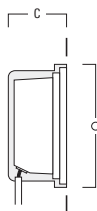
$\varnothing 7 - 12 \text{ mm}$
(TPS) $1.5 - 2.5 \text{ mm}$



Installation Accessories

Type I: Luminaire frame proud of surface

for TR0259	195-0191	BTR25-I	c
			125



Type II: Luminaire frame flush with surface

for TR0259	195-0193	BRT25-II	c
			150

Light Source

LED

Maintenance

Apart from cleaning the product's exterior surfaces, no special maintenance work is required.

Do not use high-pressure cleaners.

In case of component failure due to abnormal circumstances or at end of life, replacement must be carried out by a suitably qualified and trained professional.

Warning: Do not open luminaire while mains supply is switched on.

Installation

The product must be installed and maintained by a suitably qualified professional in compliance with latest building/construction and/or electrical regulations and relevant legislation.

Warning: Switch off mains electrical supply prior to installing and connecting the luminaire.

Notice: If the luminaire is modified by anybody other than the original manufacturer, then the warranty will no longer be valid and shall become the full responsibility of the modifying person/organisation. Claims based on defects attributable to improper installation and/or application, and the consequences thereof, are excluded.

Installation Methods

For concrete or brick walls with recess provided by civil contractor:

- 1) BTR installation blackout, or
- 2) Cavity

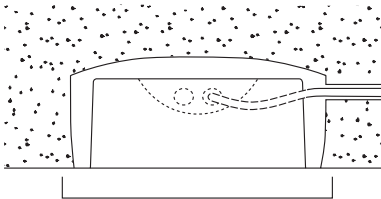


Fig. I

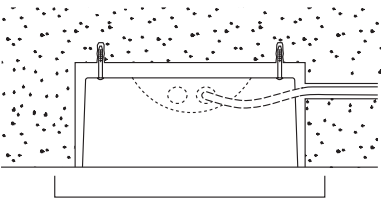


Fig. II

Installation Procedure

- 1) Switch off and isolate the mains electrical supply.
- 2) Remove cover **A** by releasing screws **B**.
- 3) Check that rating shown on luminaire label conforms with mains electrical supply.
- 4) Check that the recess provided can accommodate luminaire housing.
 - a) If option involving installation blackout BTR has been chosen, in corporate instructions accompanying blackout BTR in procedure.
 - b) If option involving cavity in wall has been chosen, determine positions for two fixing screws **D** (DIN 96-5 x 30). Drill relevant holes **E** and insert wall plugs **F**.

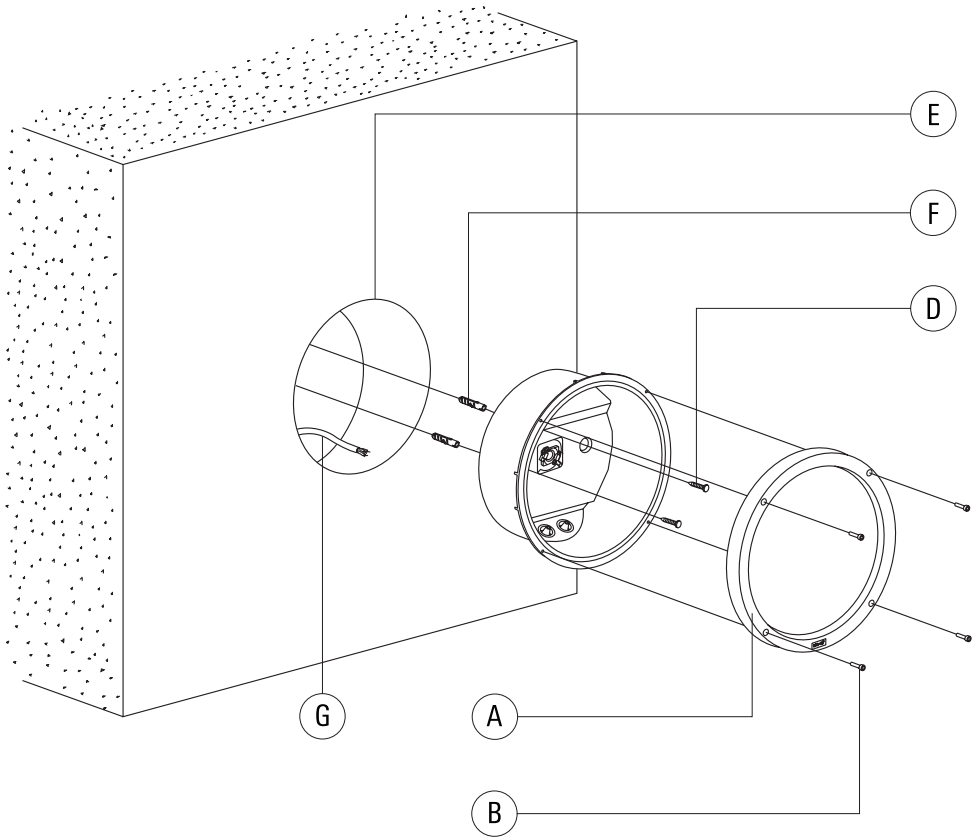
Important: The nylon plugs **C** must remain in position to provide sealing.

b) If option involving cavity in wall has been chosen, determine positions for two fixing screws **D** (DIN 96-5 x 30). Drill relevant holes **E** and insert wall plugs **F**.

Caution: Make sure not to damage any electric cable, water pipe or other devices while drilling holes.

- 5) Feed mains supply cable **G** (and the second cable **H** for through wiring, if required) through the grommets **I** at the bottom of the housing, while setting and fixing luminaire in position. Additional grommets are provided to suit circular cable 7-12 mm or TPS cable 1.5 to 2.5 mm. (Fig. I).
- 6) Connect mains supply leads to respective terminals in terminal block **I** (N = Neutral, L1 = Phase, \oplus = Earthing).

For the version with 1-10 V electronic converter, connect mains supply leads to respective terminals in terminal block **I** (N = Neutral, L1 = Phase, \oplus = Earthing) and (D+, D- = external 1-10 V dc dimmable device). (Fig. II).
- 7) Reposition cover **A** and tighten screws **B** evenly and firmly.



Individual connection

Through wiring (max 3x2.5mm²)

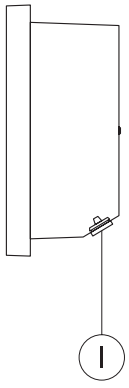
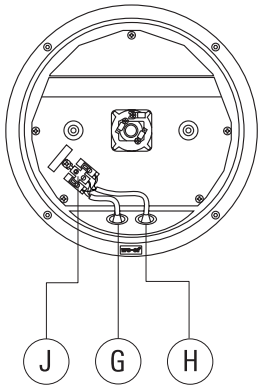
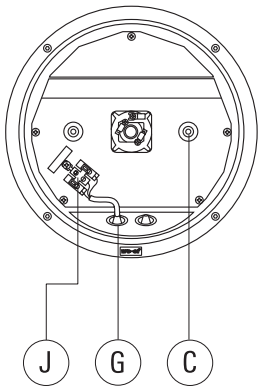


Fig. I



INSTALLATION INSTRUCTIONS

PRODUCT ID : WE-EF AUSTRALIA CABLE GLAND KIT

we-ef

DESCRIPTION : CIRCULAR & TPS CABLE GLAND KIT

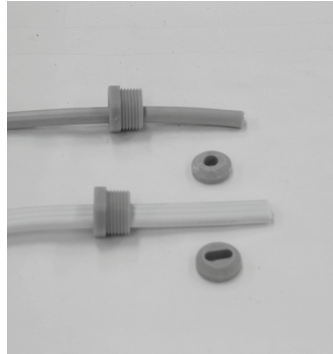
THE ELECTRICAL WIRING SHOULD BE INSTALLED AND MAINTAINED BY A SUITABLY QUALIFIED PERSON IN COMPLIANCE WITH THE LATEST CONSTRUCTION AND ELECTRICAL REGULATIONS AND RELEVANT LEGISLATION.

NOTE: Product images are for illustrative purposes only and may differ from the actual product

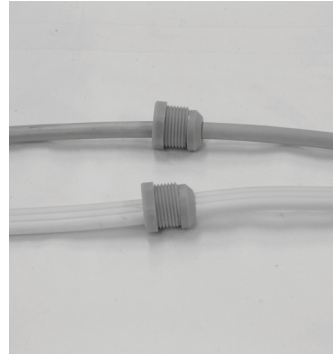
Pic 1



Pic 2



Pic 3



Pic 4



Pic 5



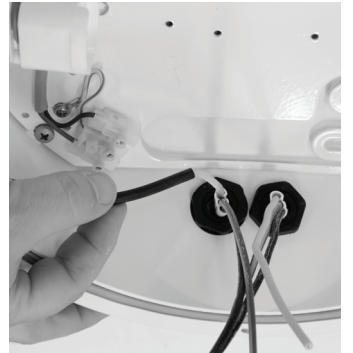
Pic 6



Pic 7



Pic 8



Pic 9



INSTRUCTIONS

- 1) Circular & TPS Grommet Kit comes complete with (PIC 1)
 - a) 1 x Compression Nut
 - b) 1 x TPS Grommet to suit 1mm to 2.5mm core cables
 - c) 3 x Silicon Sleeves
 - d) 2 X Grommets
- 2) Slide compression nut over cable with thread facing the end of the cable (PIC 2)
- 3) Slide correct grommet over cable with flat side facing compression nut with enough length to connect to supply terminals (PIC 3)
- 4) Feed cable through cable gland adaptor (PIC 4)
- 5) Tighten compression nut (PIC 5)
- 6) Looping can be done by removing lug stop on second cable entry of fitted (PIC 6)
- 7) Fit looping cable as per steps 2 to 5 (PIC 7)
- 8) Strip back cables, cut to length and fit silicon sleeving over cables (PIC 8)
- 9) Connect wires to supply terminals (PIC 9)



we-ef

www.we-ef.com

WE-EF LEUCHTEN

Germany

Tel +49 5194 909 0

Fax +49 5194 909 299

info.germany@we-ef.com

WE-EF LIGHTING

Thailand

Tel +66 2 738 9610

Fax +66 2 175 2174

info.asiapacific@we-ef.com

WE-EF LUMIERE

France

Tel +33 4 74 99 14 44

Fax +33 4 74 99 14 40

info.france@we-ef.com

WE-EF LIGHTING

Australia

Tel +61 3 8587 0444

Fax +61 3 8587 0499

info.australia@we-ef.com

WE-EF HELVETICA

Switzerland

Tel +41 22 752 49 94

Fax +41 22 752 49 74

info.switzerland@we-ef.com

WE-EF LIGHTING

United States of America

Tel +1 724 742 0030

Fax +1 724 742 0035

info.usa@we-ef.com



TRO259 261120_REVO © WE-EF 2020

Technical specifications are
subject to change.