

Safety Notice

The manufacturer is discharged from liability when damage is caused by improper use or installation.

If any luminaire and/or accessory is subsequently modified, the persons responsible for the modification shall be considered as manufacturer.

Product Information / Surge Protection

As an option, this luminaire can also be fitted with a surge protector of Type 2-3 (at the time of order). The technical data can be found directly on the installed device. If the surge protector has been triggered by an adverse event, the luminaire is automatically disconnected from the mains. In that case, the LED on the surge protector no longer lights up.

For comprehensive protection of the luminaire against lightning and electrical surges, primary (Type 1) and secondary (Type 2) surge arrestors must be installed into the power supply. We recommend a combination arrestor (Type 1+2+3), which is installed in the control cabinet.

The technical planner/installer is responsible for the proper selection, sizing and installation of the surge protection modules that must be provided on site. Please note the various protection levels for Class I and II, as well as the applicable statutory provisions regarding surge protection. Installation and maintenance may only be performed by a qualified electrician.



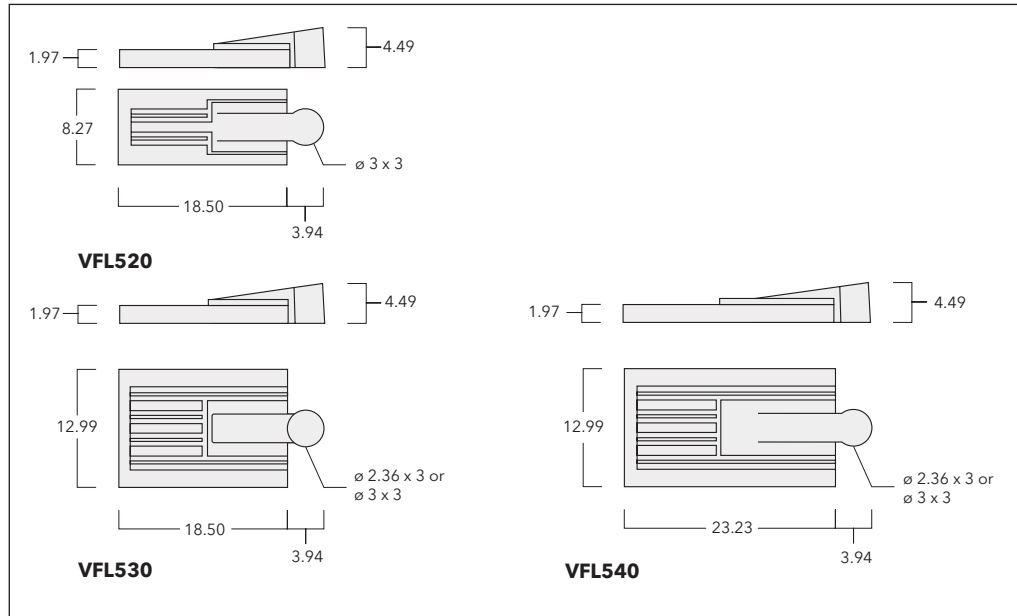
WE-EF LIGHTING

Installation and
Maintenance Instructions for
Post Mounted Luminaire

Serie VFL500 LED

Post Top Luminaires

IP66, IK08



Light source

12 LED 12W / 24 LED 24W / 36 LED 36W /
42 LED 42W*

12 LED 24W / 24 LED 48W / 36 LED 72W /
42 LED 84W*

* Nominal power, for latest data refer to
www.we-ef.com

Class I, II, $t_a = 25^\circ\text{C}$

Mounting height 10 - 20 ft

Weight

VFL520 max. 9.7 lb

VFL530 max. 14.6 lb

VFL540 max. 18.5 lb

Windage area

VFL520 max. 1.16 ft²

VFL530 max. 1.75 ft²

VFL540 max. 2.10 ft²

Installation: horizontal, light output downwards,
suitable for spigot diameter **D** = 2.36 x 3 in or
D = 3 x 3 in Upper pole offset **D1** max. 4.02 in



Tools required

- 4 mm Allen key
- Torx wrench TX 30
- Screwdriver with blade 4x1 mm
- diagonal cutting pliers
- wire stripper

Installation

The product must be installed and maintained by a suitably qualified professional in compliance with latest building/construction and/or electrical regulations and relevant legislation.

Notice: If the luminaire is modified by anybody other than the original manufacturer, then the warranty will no longer be valid and shall become the full responsibility of the modifying person/organisation. Claims based on defects attributable to improper installation and/or application, and the consequences thereof, are excluded.

In case of component failure, LED replacement due to abnormal circumstances or at end of life,

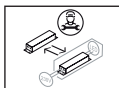
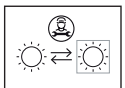
replacement must be carried out by a suitably qualified and trained professional.

In case of questions please contact our technical hotline: +1 724 742 0030 (from Monday - Friday from 08.00 until 16.00 hours).

Maintenance

Apart from cleaning the product's exterior surfaces, no special maintenance work is required. Do not use high-pressure cleaners.

Protect our environment: Discard used LEDs in compliance with the most recent environmental legislation.



Installation Procedure

Luminaire prewired, do not open!

- 1) Switch off the mains electrical supply. ⚡



- 2) Cut cable to the corresponding height of the pole and connect cable to the connector **A** (**fig. 1-6**).

0-10V

Phase (L1) to 1, Neutral (N) to N, Control Phase (+) to 2, Control Phase (-) to 3 and Earthing ⊕

Compare the local voltage and frequency with date mentioned on the label of the luminaire.

Screw the gland nut together, tightening to a torque of 5 Nm (44.3 in-lb) (**fig. 5**).

- 3) Pull the connecting cable through the pole.
Put the luminaire on top of the pole and tighten the fixing screws **B**, tightening to a torque of 10 Nm (88.6 in-lb).

WE-EF Supply Cable Connector Accessory Instructions

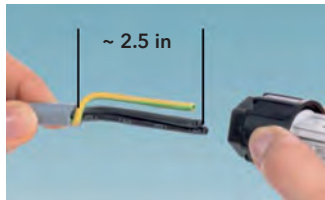


fig. 1



fig. 2



fig. 3



fig. 4



fig. 5

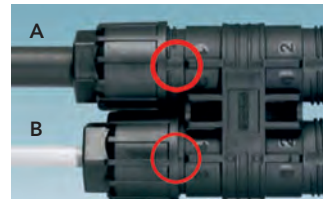


fig. 6



fig. 7