



## WE-EF LEUCHTEN

Installation and Maintenance  
Instructions

Wall Luminaire Surface Mounted

**DLO229 LED**

**DLG229 LED**

**DLS229 LED**

**DLB229 LED**



### **Surge Protection**

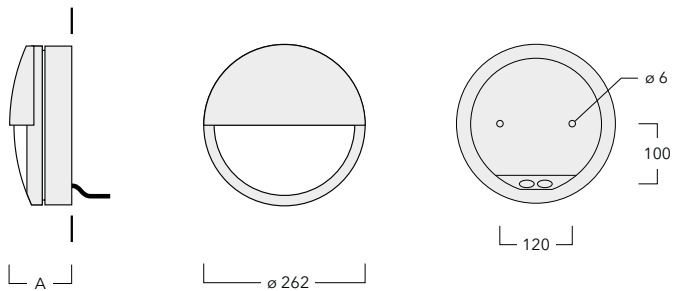
This product features built-in surge protection circuitry in compliance with applicable standards.

For comprehensive protection of a luminaire installation against lightning and electrical surges, it is essential to cover mains supply and data input lines at the distribution board level, by using respective primary (Type 1) and secondary (Type 2) surge arrestors in compliance with EN61643-11/ IEC61643-1.

### **Warning**

Ensure that all required surge protection measures are in place and activated prior to luminaire installation. Also, disconnect luminaires before operating high-power devices such as, for example, electrical arc welders.

## Wall Luminaire Surface Mounted



### Product Dimensions:

**DLO/DLG/DLS/DLB series** - Luminaire frame proud of surface. A

|        |     |
|--------|-----|
| DLO229 | 85  |
| DLG229 | 100 |
| DLS229 | 100 |
| DLB229 | 100 |

IP55, IK10, Class I,  $t_a \leq 40^\circ\text{C}$

**Light Source**

LED

**Maintenance**

Apart from cleaning the product's exterior surfaces, no special maintenance work is required. Do not use high-pressure cleaners.

In case of component failure due to abnormal circumstances or at end of life, replacement must be carried out by a suitably qualified and trained professional.

**Warning:** Do not open luminaire while mains supply is switched on.

## Installation

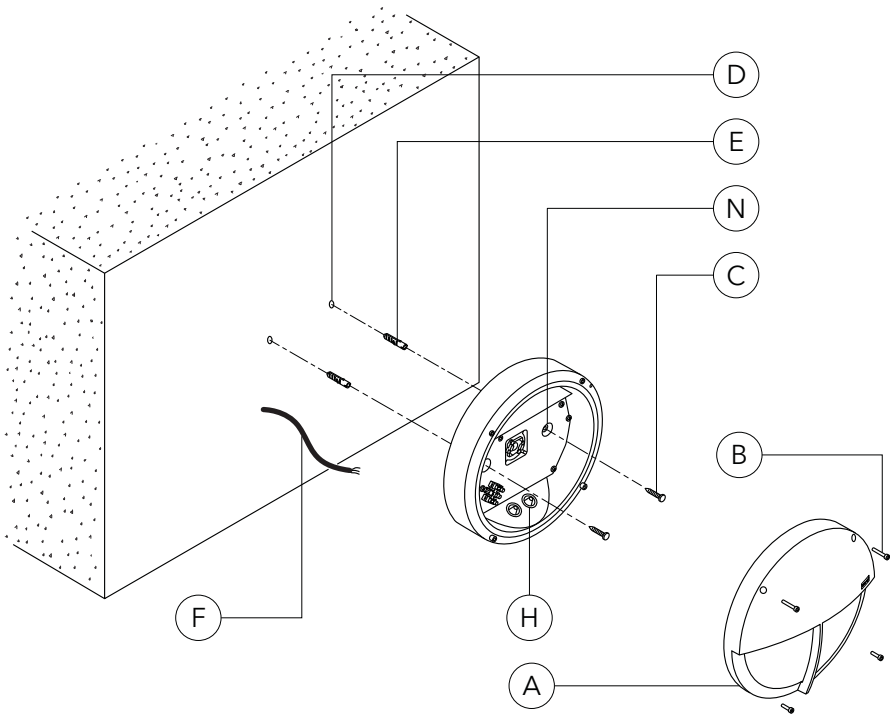
The product must be installed and maintained by a suitably qualified professional in compliance with latest building/construction and/or electrical regulations and relevant legislation.

**Warning:** Switch off mains electrical supply prior to installing and connecting the luminaire.

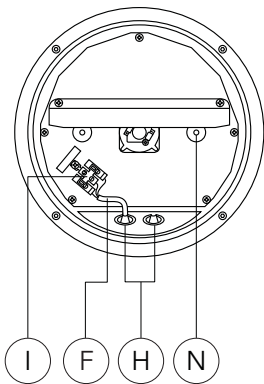
**Notice:** If the luminaire is modified by anybody other than the original manufacturer, then the warranty will no longer be valid and shall become the full responsibility of the modifying person/organisation. Claims based on defects attributable to improper installation and/or application, and the consequences thereof, are excluded.

## Installation Procedure

- 1) Switch off the mains electrical supply.
- 2) Remove cover **A** by releasing screws **B**.
- 3) Check that rating shown on luminaire label conforms with mains electrical supply.
- 4) Determine positions for fixing screws **C**.  
Drill relevant holes **D** and insert wall plugs **E**.  
**Warning:** Ensure not to damage any electric cable, water pipe or other devices while drilling holes.
- 5) Feed the mains supply cable **F** (and the second cable **G** for through wiring, if required) through the grommets **H** at the bottom of the housing, while setting and fixing luminaire position. To fix the luminaire, pierce through the nylon plug **N** with screws **C**, and tighten (Fig. I).  
**Attention:** The nylon plugs **N** must remain in position to provide sealing.
- 6) Connect mains supply leads to respective terminals in terminal block **I**:
  - a) ON/OFF (L = Phase, N = Neutral,  $\oplus$  = Earthing)
  - b) 1-10 V/DALI (L = Phase, N = Neutral,  $\oplus$  = Earthing, DA/DA = DALI control line, D-/D+ = 1-10 V control line).
- 7) Reposition the cover **A** and secure in position by evenly tightening the screws **B**.



**Individual connection**



**Through wiring**

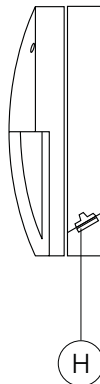
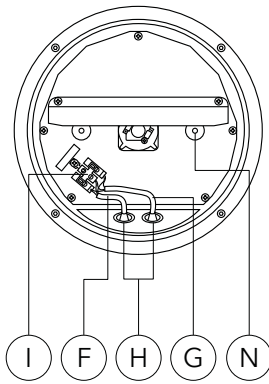


Fig. I

# **we-ef**

[www.we-ef.com](http://www.we-ef.com)

## **WE-EF LEUCHTEN**

Germany

Tel +49 5194 909 0

Fax +49 5194 909 299

[info.germany@we-ef.com](mailto:info.germany@we-ef.com)

## **WE-EF LUMIERE**

France

Tel +33 4 74 99 14 44

Fax +33 4 74 99 14 40

[info.france@we-ef.com](mailto:info.france@we-ef.com)

## **WE-EF SWITZERLAND**

Switzerland

Tel +41 22 752 49 94

Fax +41 22 752 49 74

[info.switzerland@we-ef.com](mailto:info.switzerland@we-ef.com)

## **WE-EF LIGHTING**

Thailand

Tel +66 2 738 9610

Fax +66 2 175 2174

[info.asiapacific@we-ef.com](mailto:info.asiapacific@we-ef.com)

## **WE-EF LIGHTING**

Australia

Tel +61 3 8587 0444

Fax +61 3 8587 0499

[info.australia@we-ef.com](mailto:info.australia@we-ef.com)

## **WE-EF LIGHTING**

United States of America

Tel +1 724 742 0030

Fax +1 724 742 0035

[info.usa@we-ef.com](mailto:info.usa@we-ef.com)

TO9101W0823 © WE-EF 2023

Technical specifications are  
subject to change.