



WE-EF LEUCHTEN

Installation and Maintenance
Instructions

Wall Luminaires surface Mounted

QLS410 LED

QLS420 LED



Do not open during installation

This product is factory-sealed.
Refer to the instructions contained in this document for details.



Surge Protection

This product features built-in surge protection circuitry in compliance with applicable standards.

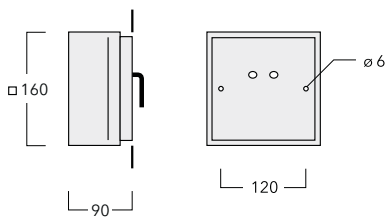
For comprehensive protection of a luminaire installation against lightning and electrical surges, it is essential to cover mains supply and data input lines at the distribution board level, by using respective primary (Type 1) and secondary (Type 2) surge arrestors in compliance with EN61643-11/ IEC61643-1.

Warning

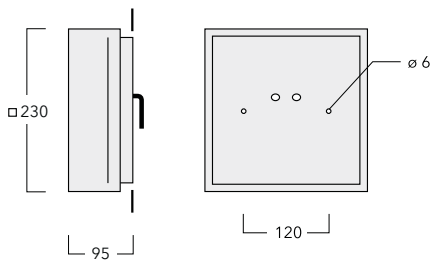
Ensure that all required surge protection measures are in place and activated prior to luminaire installation. Also, disconnect luminaires before operating high-power devices such as, for example, electrical arc welders.

Wall Luminaires surface Mounted

QLS410



QLS420



IP66, Class I, $t_a \leq 40^\circ\text{C}$

Light Source

LED

Maintenance

Apart from cleaning the product's exterior surfaces, no special maintenance work is required.

Do not use high-pressure cleaners.

In case of component failure due to abnormal circumstances or at end of life, replacement must be carried out by a suitably qualified and trained professional.

Warning: Do not open luminaire while mains supply is switched on.

Installation

The product must be installed and maintained by a suitably qualified professional in compliance with latest building/construction and/or electrical regulations and relevant legislation.

Warning: Switch off mains electrical supply prior to installing and connecting the luminaire.

Notice: If the luminaire is modified by anybody other than the original manufacturer, then the warranty will no longer be valid and shall become the full responsibility of the modifying person/organisation. Claims based on defects attributable to improper installation and/or application, and the consequences thereof, are excluded.

Attention: The luminaire is factory-sealed and does not need to be opened during installation.

The installation on site must comply with local and/or national health and safety regulations.

Installation Procedure – QLS410/QLS420 LED

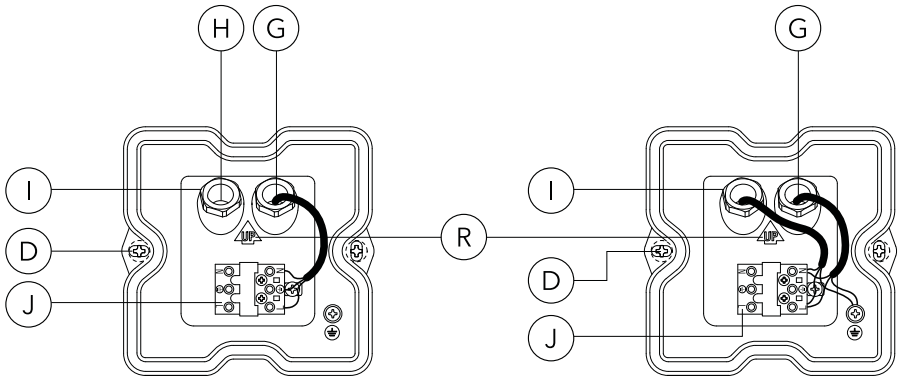
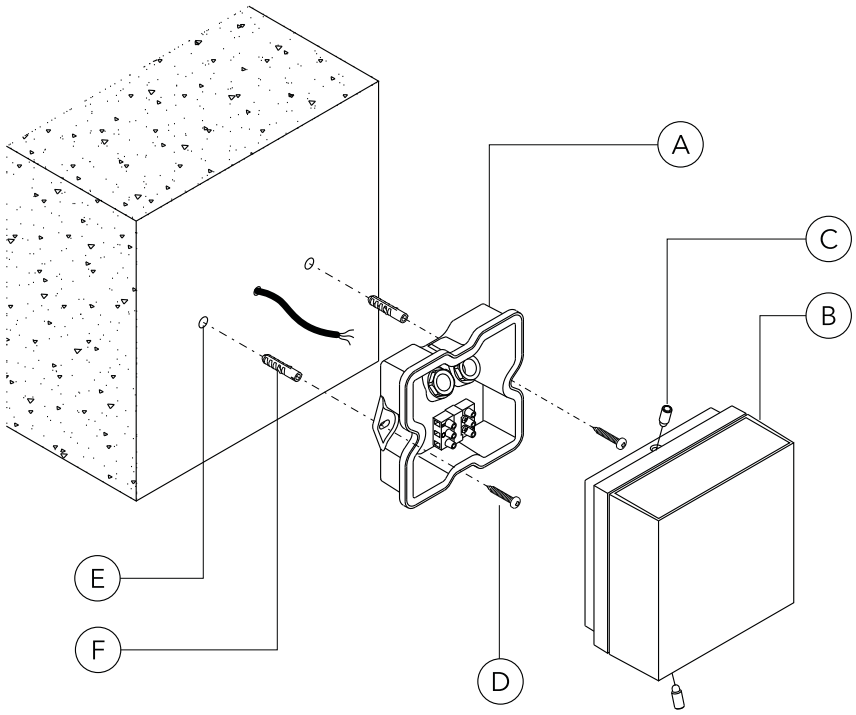
1. Switch off the mains electrical supply.
2. Remove wall flange **A** from cover **B** by loosening screws **C**.
3. Check that rating shown on luminaire label conforms with mains electrical supply.
4. Determine positions for two fixing screws **D**. Drill relevant holes **E** and insert wall plugs **F**.

Warning: Ensure not to damage any electric cable, water pipe or other devices while drilling holes.

5. Feed the mains supply cable **G** (and the second cable for through wiring, if required) through the pressure screw **I** at the side of wall flange, while setting and fixing wall flange in position.

The pre-installed packing ring **H** is suitable for cable diameters 7 to 9.5 mm. If the cable is bigger, replace the pre-installed packing ring with the supplied auxiliary packing ring, which is suitable for cable diameters 9.5 to 12 mm.

6. Ensure the point arrow mark **R** on the wall flange aims upwards and that the luminaire is properly oriented. Fix the wall flange by inserting and tightening screws **D**.
7. Connect mains supply leads to respective terminals in terminal block **J**:
 - a) ON/OFF (L = Phase, N = Neutral, ⊕ = Earthing)
 - b) 1-10 V/DALI (L = Phase, N = Neutral, ⊕ = Earthing, DA/DA = DALI control line, D-/D+ = 1-10 V control line).
8. Tighten pressure screw(s) **I**.
9. Reposition cover **B** on wall flange **A** and secure in position by evenly tightening the screws **C**.



Individual connection

Through wiring

we-ef

www.we-ef.com

WE-EF LEUCHTEN

Germany

Tel +49 5194 909 0

Fax +49 5194 909 299

info.germany@we-ef.com

WE-EF LUMIERE

France

Tel +33 4 74 99 14 44

Fax +33 4 74 99 14 40

info.france@we-ef.com

WE-EF SWITZERLAND

Switzerland

Tel +41 22 752 49 94

Fax +41 22 752 49 74

info.switzerland@we-ef.com

WE-EF LIGHTING

Thailand

Tel +66 2 738 9610

Fax +66 2 175 2174

info.asiapacific@we-ef.com

WE-EF LIGHTING

Australia

Tel +61 3 8587 0444

Fax +61 3 8587 0499

info.australia@we-ef.com

WE-EF LIGHTING

United States of America

Tel +1 724 742 0030

Fax +1 724 742 0035

info.usa@we-ef.com

TO9116W0823© WE-EF 2023

Technical specifications are
subject to change.