



WE-EF LEUCHTEN

Installation and Maintenance
Instructions

Wall Luminaire Recessed
QR1354 LED



Surge Protection

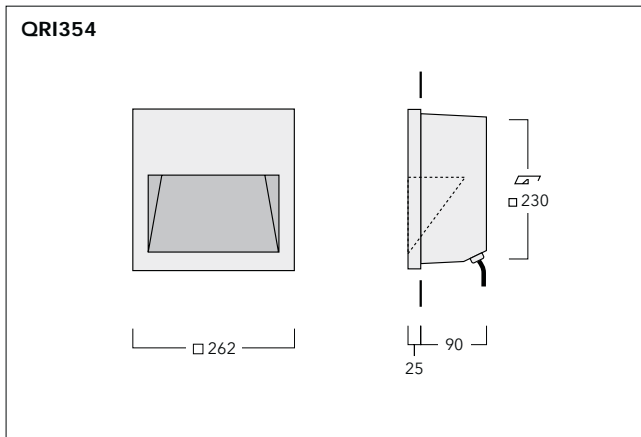
This product features built-in surge protection circuitry in compliance with applicable standards.

For comprehensive protection of a luminaire installation against lightning and electrical surges, it is essential to cover mains supply and data input lines at the distribution board level, by using respective primary (Type 1) and secondary (Type 2) surge arrestors in compliance with EN61643-11/ IEC61643-1.

Warning

Ensure that all required surge protection measures are in place and activated prior to luminaire installation. Also, disconnect luminaires before operating high-power devices such as, for example, electrical arc welders.

Wall Luminaire Recessed



IP55, IK07, Class I, $t_a \leq 40^\circ\text{C}$

Installation Accessories

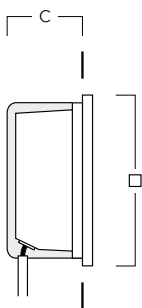
Pre-installation blockout is recommended for mounting in concrete.

Installation blockout - Luminaire frame proud of surface. C

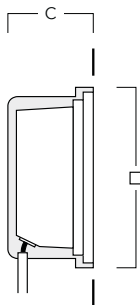
for QRI354	197-0129	BQR25 -I	125
------------	-----------------	----------	-----

Installation blockout - Luminaire frame flush with surface. C

for QRI354	197-0132	BQR25 -II	150
------------	-----------------	-----------	-----



BQR-I



BQR-II

Light Source

LED

Maintenance

Apart from cleaning the product's exterior surfaces, no special maintenance work is required.

Do not use high-pressure cleaners.

In case of component failure due to abnormal circumstances or at end of life, replacement must be carried out by a suitably qualified and trained professional.

Warning: Do not open luminaire while mains supply is switched on.

Installation

The product must be installed and maintained by a suitably qualified professional in compliance with latest building/construction and/or electrical regulations and relevant legislation.

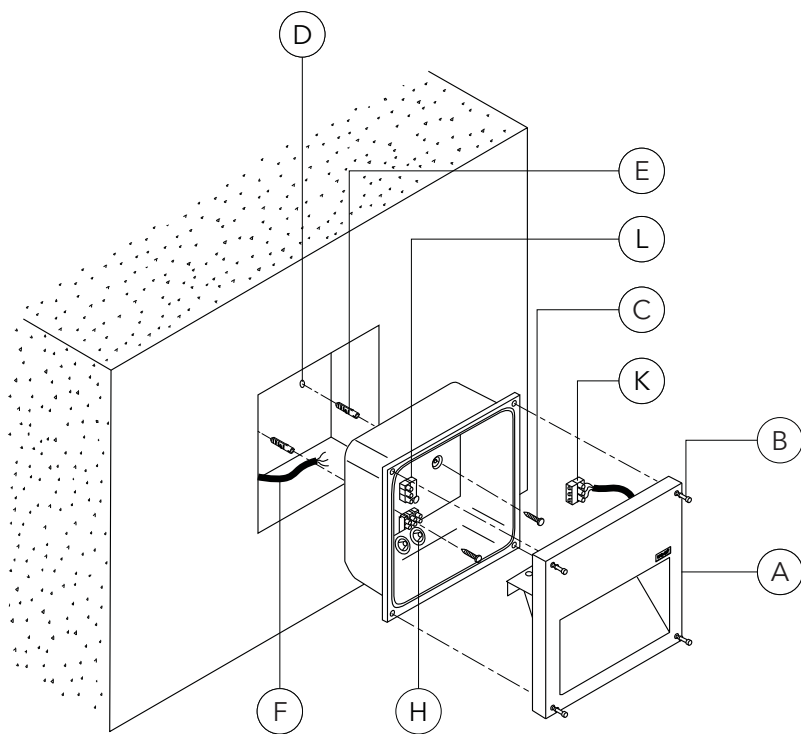
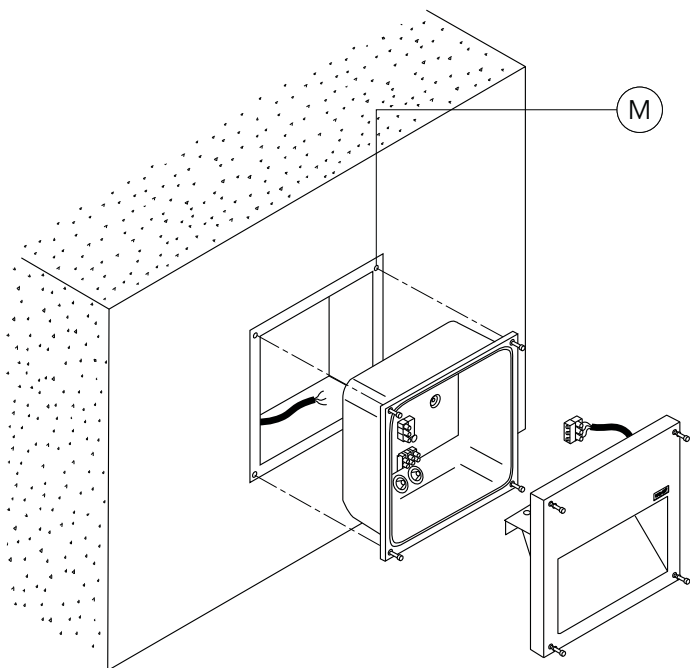
Warning: Switch off mains electrical supply prior to installing and connecting the luminaire.

Notice: If the luminaire is modified by anybody other than the original manufacturer, then the warranty will no longer be valid and shall become the full responsibility of the modifying person/organisation. Claims based on defects attributable to improper installation and/or application, and the consequences thereof, are excluded.

Installation Procedure

- 1) Switch off the mains electrical supply.
- 2) Remove cover **A** by releasing screws **B** and pull off plug **K** from socket **L**.
- 3) Check that rating shown on luminaire label conforms with mains electrical supply. Check that the recess provided can accommodate luminaire housing.
 - a) If option involving installation blockout BQR has been chosen, the luminaire is fitted by using the screws through the thread **M** of the aluminium frame of the blockout. If necessary use the instructions accompanying blockout BQR. Ensure the two nylon plugs **N** remain in position for protection against insects, dust and water.
 - b) If option involving cavity in wall has been chosen, determine position for fixing screws **C**. Drill relevant holes **D** and insert wall plugs **E**.

Warning: Ensure not to damage any electric cable, water pipe or other devices while drilling holes.
- 4) Feed the mains supply cable **F** (and the second cable **G** for through wiring, if required) through the grommets **H** at the bottom of the housing, while setting and fixing luminaire position (blockout (a) or cavity (b)).
- 5) Connect mains supply leads to respective terminals in terminal block **I**:
 - a) ON/OFF (L = Phase, N = Neutral, ⊕ = Earthing)
 - b) 1-10 V/DALI (L = Phase, N = Neutral, ⊕ = Earthing, DA/DA = DALI control line, D-/D+ = 1-10 V control line).
- 6) Reconnect plug **K** with socket **L**, reposition cover **A** and tighten screws **B** evenly.



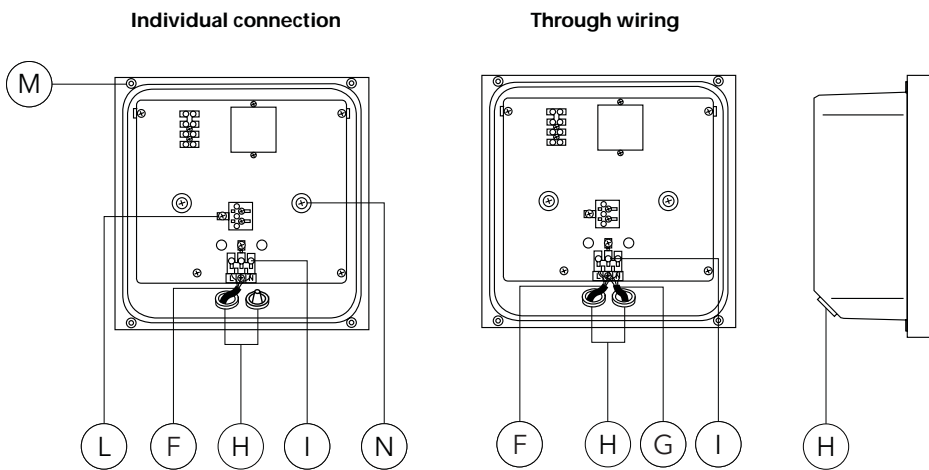
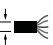


Fig. 1

Maximum \varnothing 10 mm, $2 \times 1.5 \text{ mm}^2$ for through wiring 

we-ef

www.we-ef.com

WE-EF LEUCHTEN

Germany

Tel +49 5194 909 0

Fax +49 5194 909 299

info.germany@we-ef.com

WE-EF LUMIERE

France

Tel +33 4 74 99 14 44

Fax +33 4 74 99 14 40

info.france@we-ef.com

WE-EF SWITZERLAND

Switzerland

Tel +41 22 752 49 94

Fax +41 22 752 49 74

info.switzerland@we-ef.com

WE-EF LIGHTING

Thailand

Tel +66 2 738 9610

Fax +66 2 175 2174

info.asiapacific@we-ef.com

WE-EF LIGHTING

Australia

Tel +61 3 8587 0444

Fax +61 3 8587 0499

info.australia@we-ef.com

WE-EF LIGHTING

United States of America

Tel +1 724 742 0030

Fax +1 724 742 0035

info.usa@we-ef.com

TO9117W0823 © WE-EF 2023

Technical specifications are
subject to change.