

WE-EF LEUCHTEN

Installation and Maintenance
Instructions

Street and Area Lighting Luminaire
RMC320 LED



Do not open during installation

This product is factory-sealed.
Refer to the instructions contained in this document for details.



Surge Protection

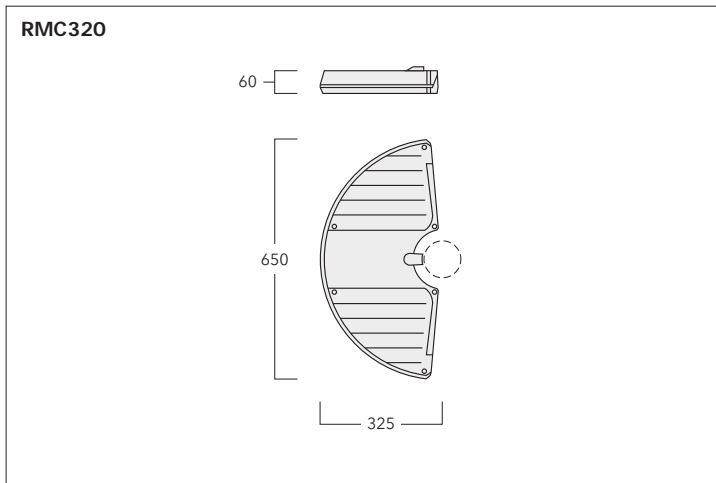
This product features built-in surge protection circuitry in compliance with applicable standards.

For comprehensive protection of a luminaire installation against lightning and electrical surges, it is essential to cover mains supply and data input lines at the distribution board level, by using respective primary (Type 1) and secondary (Type 2) surge arrestors in compliance with EN61643-11/ IEC61643-1.

Warning

Ensure that all required surge protection measures are in place and activated prior to luminaire installation. Also, disconnect luminaires before operating high-power devices such as, for example, electrical arc welders.

Street and Area Lighting Luminaire



IP66, IK08, Class I, $t_a = 40^\circ\text{C}$

Light Source

LED

Maintenance

Apart from cleaning the product's exterior surfaces, no special maintenance work is required.

Do not use high-pressure cleaners.

In case of component failure due to abnormal circumstances or at end of life, replacement must be carried out by a suitably qualified and trained professional.

Warning: Do not open luminaire while mains supply is switched on.

For Wild Light applications, refer to additional installation steps in document TO9281W.

Mounting Accessories

Wall bracket

RM1-W for RMC320 **105-9846**

Short bracket - Galvanised steel. For lateral mounting on a pole.

RM1-S for RMC320 **105-9845**

Single bracket

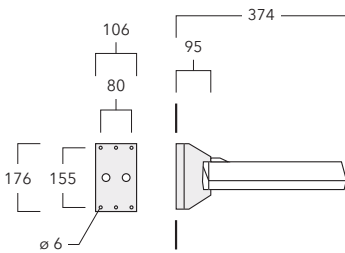
RM1-76* for RMC320 **105-9847** AMW-C Wooden pole

RM1-76** for RMC320 **105-9849** AMF-C Steel pole

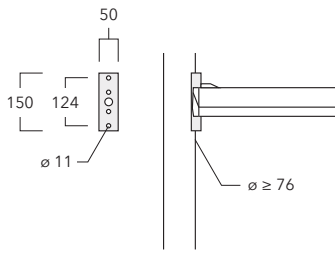
Double bracket

RM2-76* for RMC320 **105-9848** AMW-C Wooden pole

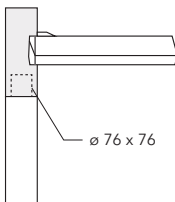
RM2-76** for RMC320 **105-9850** AMF-C Steel pole



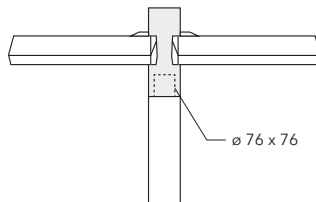
Wall bracket



Short bracket



Single bracket



Double bracket

Installation

The product must be installed and maintained by a suitably qualified professional in compliance with latest building/construction and/or electrical regulations and relevant legislation.

Warning: Switch off mains electrical supply prior to installing and connecting the luminaire.

Notice: If the luminaire is modified by anybody other than the original manufacturer, then the warranty will no longer be valid and shall become the full responsibility of the modifying person/organisation. Claims based on defects attributable to improper installation and/or application, and the consequences thereof, are excluded.

The installation on site must comply with local and/or national health and safety regulations.

Installation Procedure

Installation - Pole

- 1) Switch off mains electrical supply.
- 2) Check that rating shown on luminaire label conforms with mains electrical supply.
- 3) Connect mains supply cable leads to the provided separate connector as shown in fig. 1 to fig. 4
1 = Phase (L), N = Neutral (N), 2 = DA+,
3 = DA-, ⊕ = Earthing (PE)
- 4) Feed mains cable **C** into column **D**, while setting luminaire assembly in position. Tighten screws **E**.
- 5) Trim mains cable **C** to the desired length and connect the leads to their respective terminals at the base of the pole.

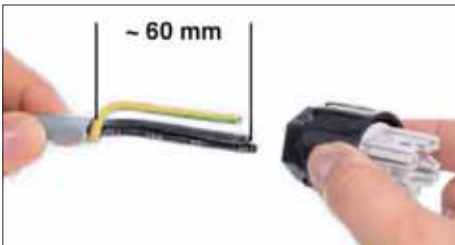


fig. 1



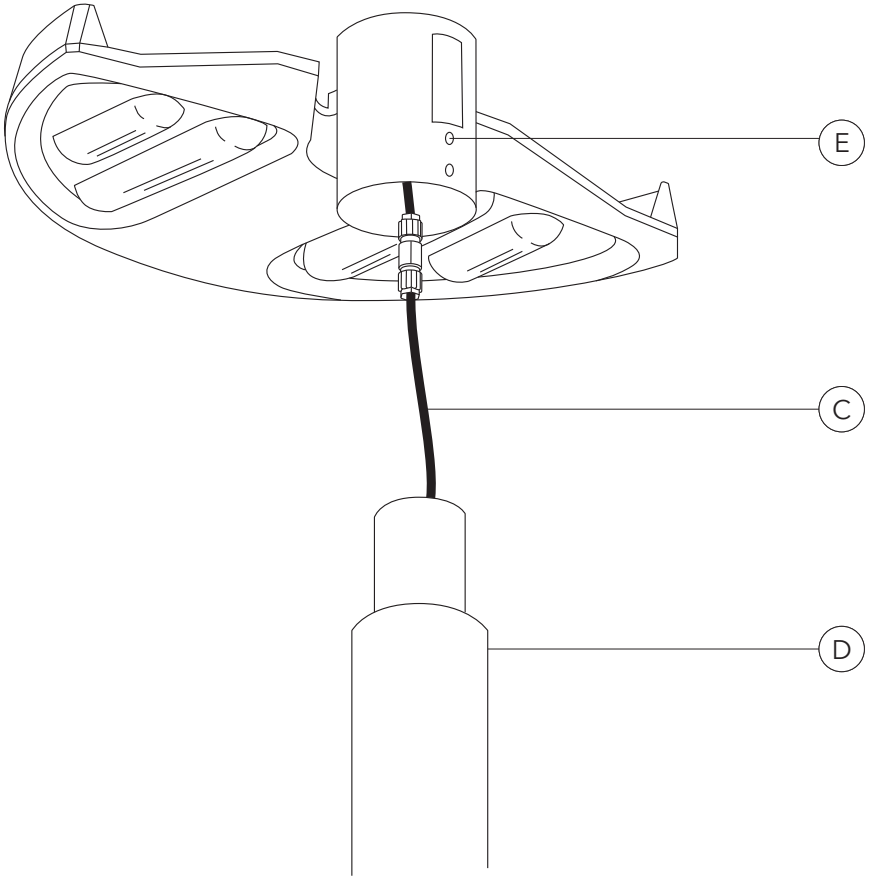
fig. 2



fig. 3



fig. 4



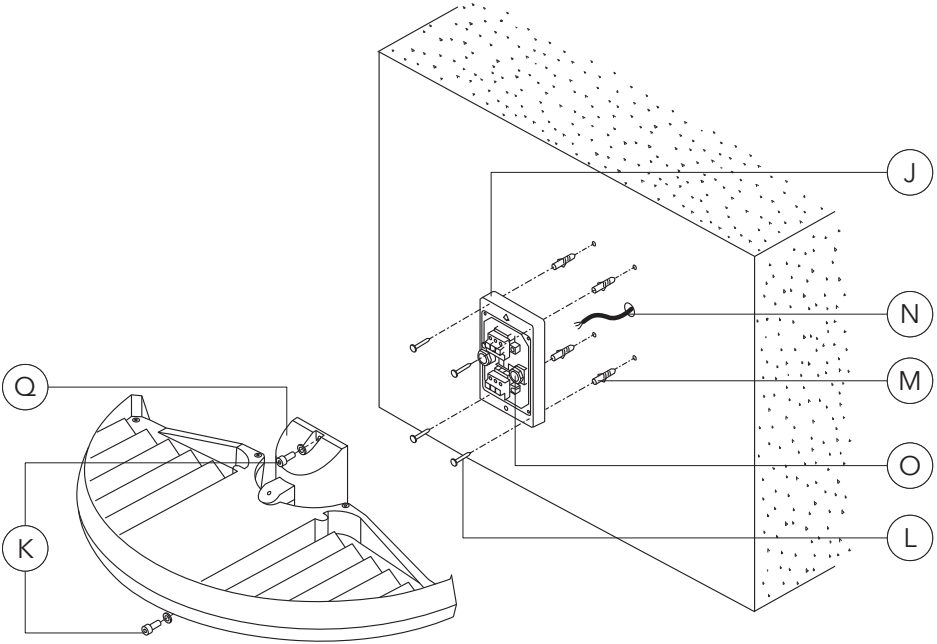
Installation to a Pole

Installation - Wall bracket

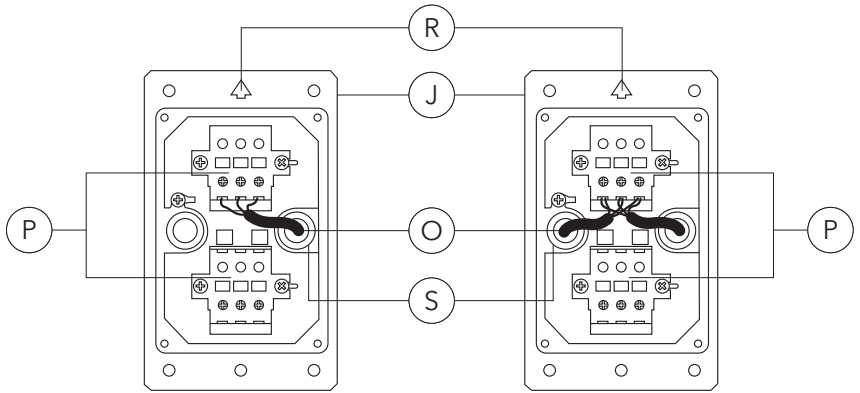
- 1) Switch off mains electrical supply.
- 2) Check that rating shown on luminaire label conforms with mains electrical supply.
- 3) Access mounting flange **J** by loosening screws **K**.
- 4) Determine positions for fixing screws **L**. Ensure arrow mark **R** on flange **J** aims upwards. Drill relevant holes and insert wall plugs **M**.

Warning: Ensure not to damage any electric cable, water pipe or other devices while drilling holes.

- 5) Feed mains supply cable **N** (and second cable for through wiring, if required) through packing ring(s) **O**, while setting and securing mounting flange **J** in position. The pre-installed packing ring(s) **O** are suitable for cable diameters 7 to 9.5 mm. For larger cable diameters (9.5 to 12 mm) use the auxiliary packing ring(s). Tighten pressure screws **S**. To secure mounting flange **J**, insert screws **L**, and tighten.
- 6) Connect mains supply cable **N** to the respective terminals in terminal connectors **P** (L = Phase, N = Neutral, ⊕ = Earthing)
- 7) Position luminaire/wall bracket **Q** by attaching to mounting flange **J** and secure in position by tightening screws **K**.



Installation - Wall bracket



Individual wiring

Through wiring

ON/OFF or WE-EF Control Advanced

we-ef

www.we-ef.com

WE-EF LEUCHTEN

Germany

Tel +49 5194 909 0

Fax +49 5194 909 299

info.germany@we-ef.com

WE-EF LUMIERE

France

Tel +33 4 74 99 14 44

Fax +33 4 74 99 14 40

info.france@we-ef.com

WE-EF SWITZERLAND

Switzerland

Tel +41 22 752 49 94

Fax +41 22 752 49 74

info.switzerland@we-ef.com

WE-EF LIGHTING

Thailand

Tel +66 2 738 9610

Fax +66 2 175 2174

info.asiapacific@we-ef.com

WE-EF LIGHTING

Australia

Tel +61 3 8587 0444

Fax +61 3 8587 0499

info.australia@we-ef.com

WE-EF LIGHTING

United States of America

Tel +1 724 742 0030

Fax +1 724 742 0035

info.usa@we-ef.com

TO9184W0724 © WE-EF 2024

Technical specifications are
subject to change.

WE-EF LEUCHTEN

Installation and Maintenance
Instructions

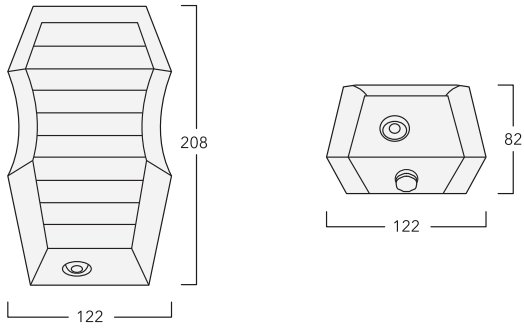
Post Mounted Luminaires

Wild-Light motion box



Box motion for Wild-Light

SLC box motion



Light Source

LED

Maintenance

Apart from cleaning the product's exterior surfaces, no special maintenance work is required.

Do not use high-pressure cleaners.

In case of component failure due to abnormal circumstances or at end of life, replacement must be carried out by a suitably qualified and trained professional.

Warning: Do not open product while mains supply is switched on.

Installation

The product must be installed and maintained by a suitably qualified professional in compliance with latest building/construction and/or electrical regulations and relevant legislation.

Warning: Switch off mains electrical supply prior to installing and connecting the product.

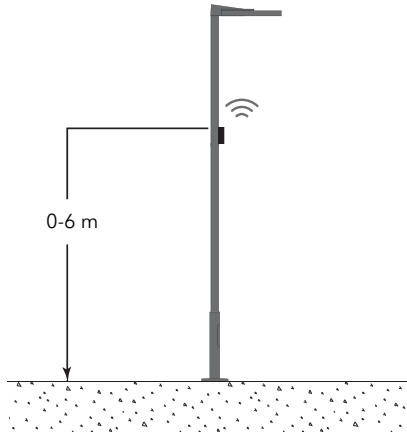
Notice: If the product is modified by anybody other than the original manufacturer, then the warranty will no longer be valid and shall become the full responsibility of the modifying person/organisation. Claims based on defects attributable to improper installation and/or application, and the consequences thereof, are excluded.

Attention: The product is factory-sealed and does not need to be opened during installation.

The installation on site must comply with local and/or national health and safety regulations.

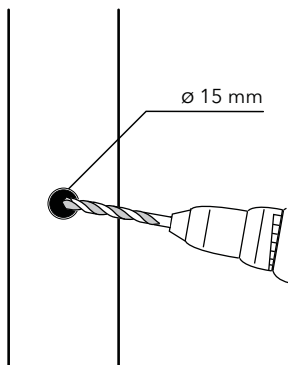
Installation Procedure for Wild-Light

- 1) Identify the right location for the motion box on the pole. Note that the sensor has to be directed downwards and be installed in a height between 0 and 6 m*.

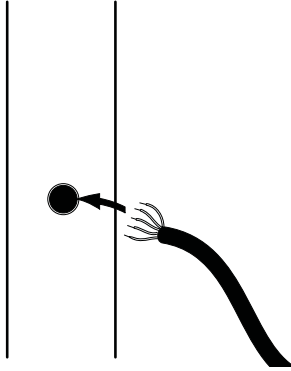


* Separate box for 6-12 m available on request

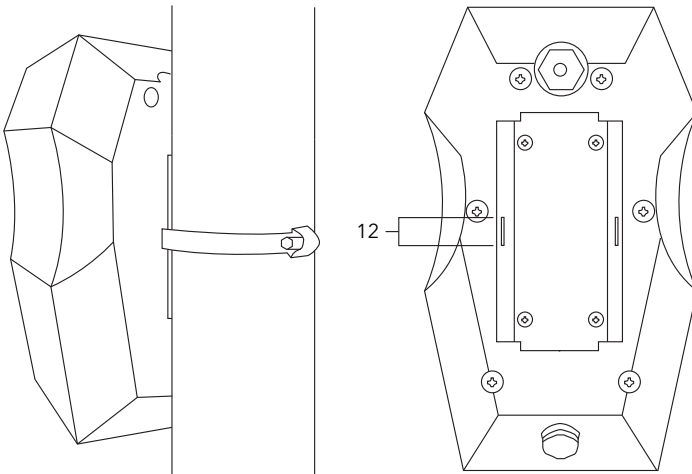
- 2) Prepare a cable entry hole in the pole. Avoid sharp edges that could damage the cable.



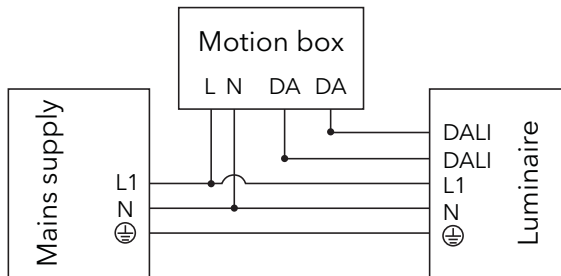
3) Insert the cable of the motion box in the pole through the cable entry hole.



4) Install the motion box to the pole, e.g. by means of stainless steel bands (not provided by WE-EF).



- 5) Trim the motion box cable to the desired length and connect leads to their respective terminals at the base of pole by means of the provided sealable junction box.



- 6) The configuration of the motion box is done via eSave SL configurator software and requires an eSave SL-Control USB stick. For further information, please contact WE-EF.

we-ef

www.we-ef.com

WE-EF LEUCHTEN

Germany

Tel +49 5194 909 0

Fax +49 5194 909 299

info.germany@we-ef.com

WE-EF LUMIERE

France

Tel +33 4 74 99 14 44

Fax +33 4 74 99 14 40

info.france@we-ef.com

WE-EF SWITZERLAND

Switzerland

Tel +41 22 752 49 94

Fax +41 22 752 49 74

info.switzerland@we-ef.com

WE-EF LIGHTING

Thailand

Tel +66 2 738 9610

Fax +66 2 175 2174

info.asiapacific@we-ef.com

WE-EF LIGHTING

Australia

Tel +61 3 8587 0444

Fax +61 3 8587 0499

info.australia@we-ef.com

WE-EF LIGHTING

United States of America

Tel +1 724 742 0030

Fax +1 724 742 0035

info.usa@we-ef.com

TO9281W0523 © WE-EF 2023

Technical specifications are
subject to change.