



**WE-EF LEUCHTEN**  
Installation and Maintenance  
Instructions

Projector  
**FLD111 #7 LED**



**Do not open during installation**

This product is factory-sealed.  
Refer to the instructions contained in this document for details.



**Surge Protection**

This product features built-in surge protection circuitry in compliance with applicable standards.

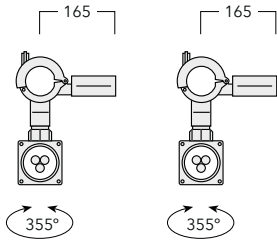
For comprehensive protection of a luminaire installation against lightning and electrical surges, it is essential to cover mains supply and data input lines at the distribution board level, by using respective primary (Type 1) and secondary (Type 2) surge arrestors in compliance with EN61643-11/ IEC61643-1.

**Warning**

Ensure that all required surge protection measures are in place and activated prior to luminaire installation. Also, disconnect luminaires before operating high-power devices such as, for example, electrical arc welders.

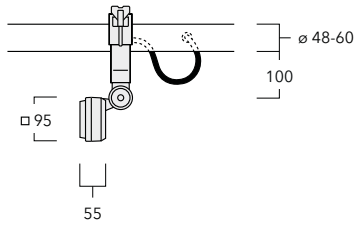
# Projector

## FLD111 #7



**RAIL66  
version**

**Space frame  
version**



IP66, Class I,  $t_a = 40^\circ\text{C}$

**Light Source**

LED

**Maintenance**

Apart from cleaning the product's exterior surfaces, no special maintenance work is required.

Do not use high-pressure cleaners.

In case of component failure due to abnormal circumstances or at end of life, replacement must be carried out by a suitably qualified and trained professional.

**Warning:** Do not open luminaire while mains supply is switched on.

## **Installation**

The product must be installed and maintained by a suitably qualified professional in compliance with latest building/construction and/or electrical regulations and relevant legislation.

**Warning:** Switch off mains electrical supply prior to installing and connecting the luminaire.

**Notice:** If the luminaire is modified by anybody other than the original manufacturer, then the warranty will no longer be valid and shall become the full responsibility of the modifying person/organisation. Claims based on defects attributable to improper installation and/or application, and the consequences thereof, are excluded.

**Attention:** The luminaire is factory-sealed and does not need to be opened during installation.

The installation on site must comply with local and/or national health and safety regulations.

## Installation Procedure

### Installation - RAIL66 version

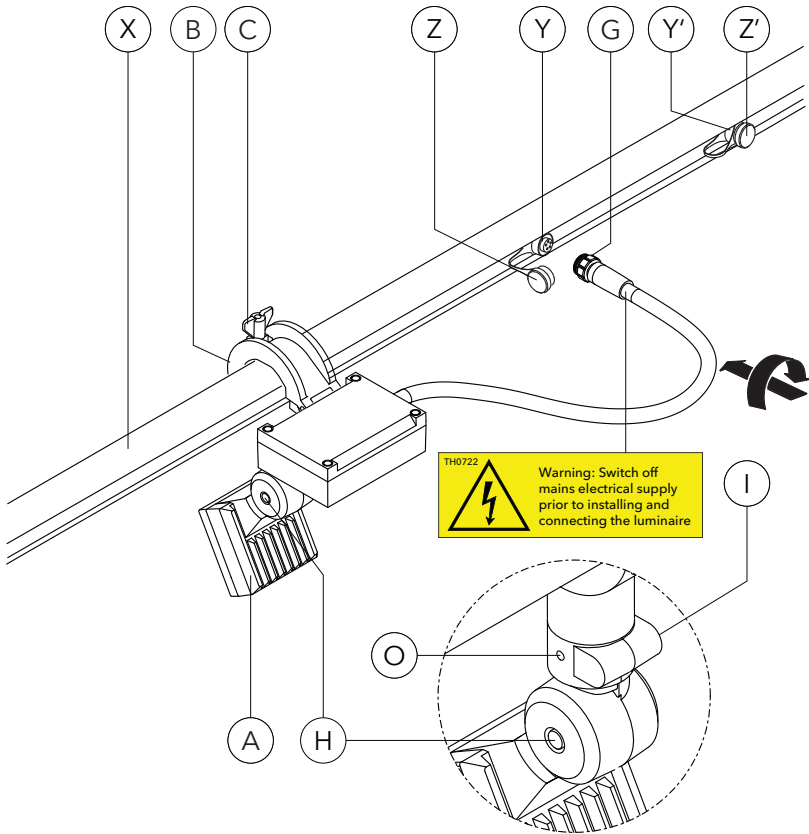
Prior to installing the luminaire, mount and connect the selected RAIL66 mounting system in accordance with relevant installation instructions

- 1) Switch off mains electrical supply.
- 2) Check that rating shown on luminaire label conforms with mains electrical supply.
- 3) Determine desired position of luminaire **A** on rail **X**, dependent on aiming requirements and proximity to a suitable mains outlet **Y**.
- 4) Attach clamp **B** to rail **X**. Tighten wingnut **C**.
- 5) Remove protective cover **Z** from mains outlet **Y**. Insert in-line connector **G** and tighten.  
**Attention:** On any mains outlet **Y'** that is not used, protective cover **Z'** must remain firmly secured. Check and ensure proper fit and tightness.
- 6) Loosen screws **H** and **I** slightly. Aim luminaire in desired direction, tighten screws **H** and **I**. Tighten set screw **O**.

### Installation - Space frame version

Suitable for space frame diameter 48 to 60 mm.

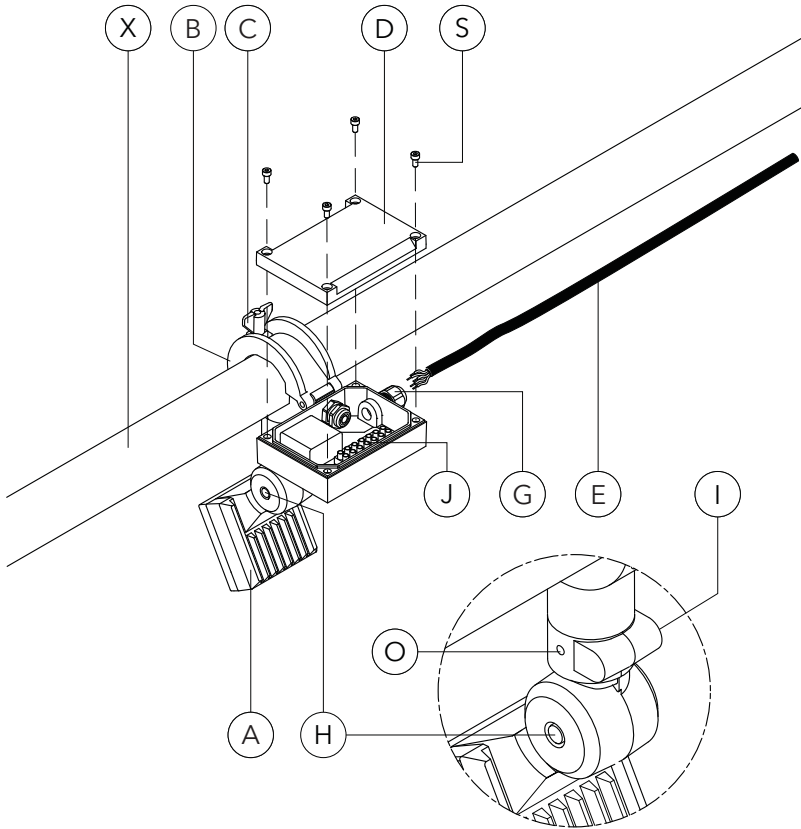
- 1) Switch off mains electrical supply.
- 2) Determine desired position of luminaire **A** on space frame **X**, dependent on aiming requirements.
- 3) Attach clamp **B** to space frame **X**. Tighten wingnut **C**.
- 4) Detach gear box cover **D** by loosening screws **S**.
- 5) Check that rating shown on luminaire label conforms with mains electrical supply.
- 6) Feed mains supply cable **E** through cable gland **G** (Fig. I).
- 7) Connect mains supply leads to respective terminals in terminal connector **J** (N = Neutral, L1 = Phase,  $\ominus$  = Earthing). Tighten cable gland **G**.  
For 1-10 V analogue dimming interface, connect main supply leads to respective terminals in terminal connector **J** (N = Neutral, L = Phase,  $\ominus$  = Earthing) and (D+, D- = external 1-10 V dimming device). See Fig. II. Tighten cable gland **G**.
- 8) Reposition gear box cover **D** and secure in position by tightening screws **S**.
- 9) Loosen screws **H** and **I** slightly. Aim luminaire in desired direction, tighten screws **H** and **I**. Tighten set screw **O**.



TH0722

**Warning:** Switch off mains electrical supply prior to installing and connecting the luminaire

**RAIL66 version**



**Space frame version**

**Fig. I. Feed mains supply cable through cable gland**



# **we-ef**

**www.we-ef.com**

## **WE-EF LEUCHTEN**

Germany

Tel +49 5194 909 0

Fax +49 5194 909 299

info.germany@we-ef.com

## **WE-EF LUMIERE**

France

Tel +33 4 74 99 14 44

Fax +33 4 74 99 14 40

info.france@we-ef.com

## **WE-EF SWITZERLAND**

Switzerland

Tel +41 22 752 49 94

Fax +41 22 752 49 74

info.switzerland@we-ef.com

## **WE-EF LIGHTING**

Thailand

Tel +66 2 738 9610

Fax +66 2 175 2174

info.asiapacific@we-ef.com

## **WE-EF LIGHTING**

Australia

Tel +61 3 8587 0444

Fax +61 3 8587 0499

info.australia@we-ef.com

## **WE-EF LIGHTING**

United States of America

Tel +1 724 742 0030

Fax +1 724 742 0035

info.usa@we-ef.com

TO9220W0823 © WE-EF 2023

Technical specifications are  
subject to change.





**WE-EF LEUCHTEN**

Installation and Maintenance  
Instructions

Projector and Floodlight  
Mounting System

**RAIL66**

## Projector and Floodlight Mounting System

### RAIL66



Versatile mounting system, developed in conjunction with and engineered for a dedicated range of WE-EF luminaires. IP66, Class I,  $t_a \leq 40^\circ\text{C}$ . Suitable for both interior and exterior applications.

## RAIL66/UNIVERSAL

RAIL66/UNIVERSAL		L1	L2
<b>310-9300</b>	2 Mains outlets	1150	1045
<b>310-9301</b>	3 Mains outlets	1150	1045
<b>310-9302</b>	3 Mains outlets	1650	1545
<b>310-9303</b>	4 Mains outlets	1650	1545
<b>310-9304</b>	4 Mains outlets	2150	2045
<b>310-9305</b>	6 Mains outlets	2150	2045

## RAIL66/CANTILEVER

RAIL66/CANTILEVER		L1	L2
<b>310-9233</b>	2 Mains outlets	1150	1070
<b>310-9234</b>	3 Mains outlets	1150	1070
<b>310-9243</b>	3 Mains outlets	1650	1570
<b>310-9244</b>	4 Mains outlets	1650	1570
<b>310-9255</b>	4 Mains outlets	2150	2070
<b>310-9256</b>	6 Mains outlets	2150	2070

## Installation

The product must be installed and maintained by a suitably qualified person in compliance with the latest applicable regulations and relevant legislation.

Claims based on defects attributable to improper installation, application, operation and/or any modification carried out by the purchaser or third parties, and the consequences thereof, are excluded.

RAIL66 versions may be mounted to a variety of surfaces. Care must be taken to ensure that mounting is appropriate to prevailing site conditions, including structural and wind loads etc.

## Luminaire Installation

Refer to separate, dedicated installation instructions.

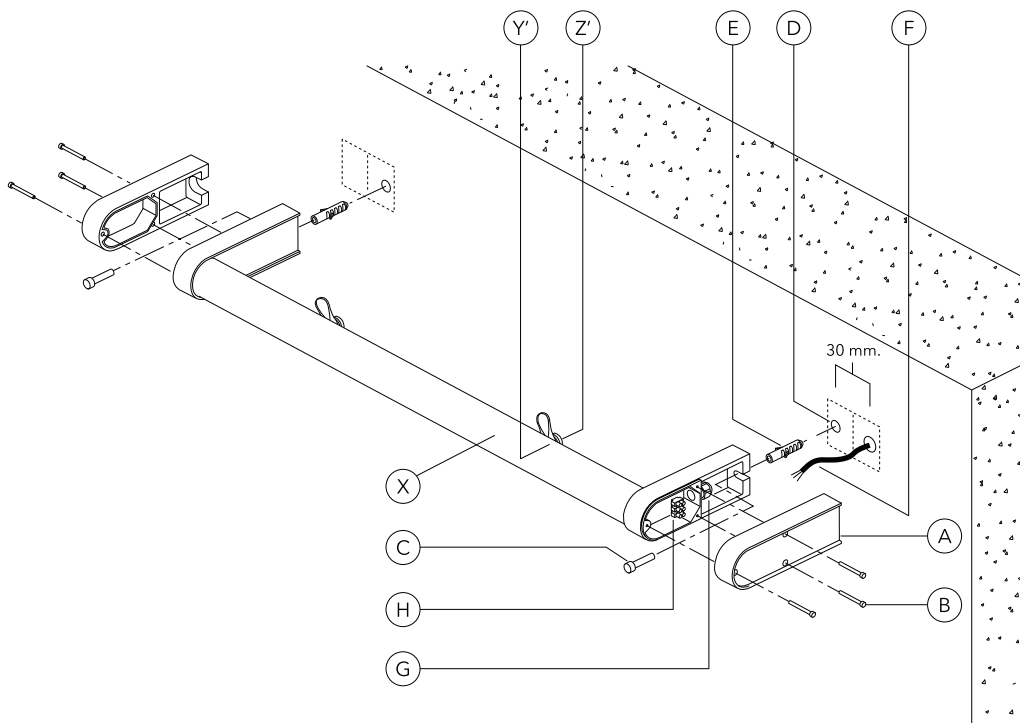
### Installation Procedure - RAIL66/UNIVERSAL

- 1) Switch off the mains electrical supply.
- 2) Remove covers **A** by releasing screws **B**.
- 3) Check that rating shown on product label conforms with mains electrical supply.
- 4) Determine positions for fixing bolts **C**.  
Drill relevant holes **D** and insert nylon plugs **E**.  
**Warning:** Make sure not to damage any electric cable, water pipe or other devices while drilling holes.
- 5) Set and fix rail assembly **X** in position. Tighten bolts **C**.
- 6) Feed mains supply cable **F** through cable gland **G**. Tighten cable gland **G**.
- 7) Connect mains supply leads to respective terminals in terminal connector **H** (N = Neutral, L = Phase,  $\oplus$  = Earthing).  
Connect the dimming control leads to either 'DIM+' and 'DIM-' (1-10 V analogue dimming) or 'DALI' and 'DALI'.
- 8) Ensure that all surfaces are clean and dry, then reposition covers **A**. Tighten screws **B** in a criss-cross pattern for proper gasket compression. Pay particular attention to equal tightness.
- 9) For luminaire installation, see overleaf, dedicated installation instructions.

**Attention:** Check and ensure proper fit and tightness of protective covers **Z'** on mains outlets **Y'**: Remove cover(s) only when installing luminaire(s).

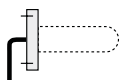
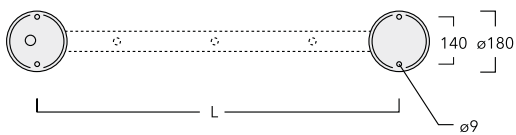
**Note:** When installing optional mounting accessories, refer to Fig. I and II for guidance.

# Installation - RAIL66/UNIVERSAL



Optional Mounting Accessories for RAIL66/UNIVERSAL

Fig. I



30

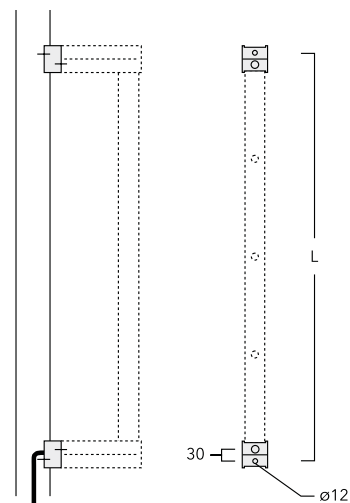
Flat Surface Fitters (pair)

L

**310-9290**

1070/1570/2070

Fig. II



$D \geq 100$

Column Fitters (pair)

L

**310-9294**

1115/1615/2115

### Installation Procedure - RAIL66/CANTILEVER

- 1) Switch off the mains electrical supply.
- 2) Remove covers **A** by releasing screws **B**.
- 3) Check that rating shown on product label conforms with mains electrical supply.
- 4) Remove wall flanges **C** by releasing screws **D**.
- 5) Determine positions for fixing bolts **E**.  
Drill relevant holes **F** and insert nylon plugs **G**.  
**Warning:** Make sure not to damage any electric cable, water pipe or other devices while drilling holes.
- 6) Feed mains supply cable **H** through cable gland **I**, while setting and fixing wall flanges **C** in position.  
**Attention:** Bolts **E** should only be fully tightened after alignment has been confirmed.
- 7) Connect mains supply leads to respective terminals in terminal connector **J** (N = Neutral, L= Phase, ⊕ = Earthing).  
Connect the dimming control leads to either 'DIM+' and 'DIM-' (1-10 V analogue dimming) or 'DALI' and 'DALI'.
- 8) Slide rail assembly **X** carefully over wall flanges **C**.

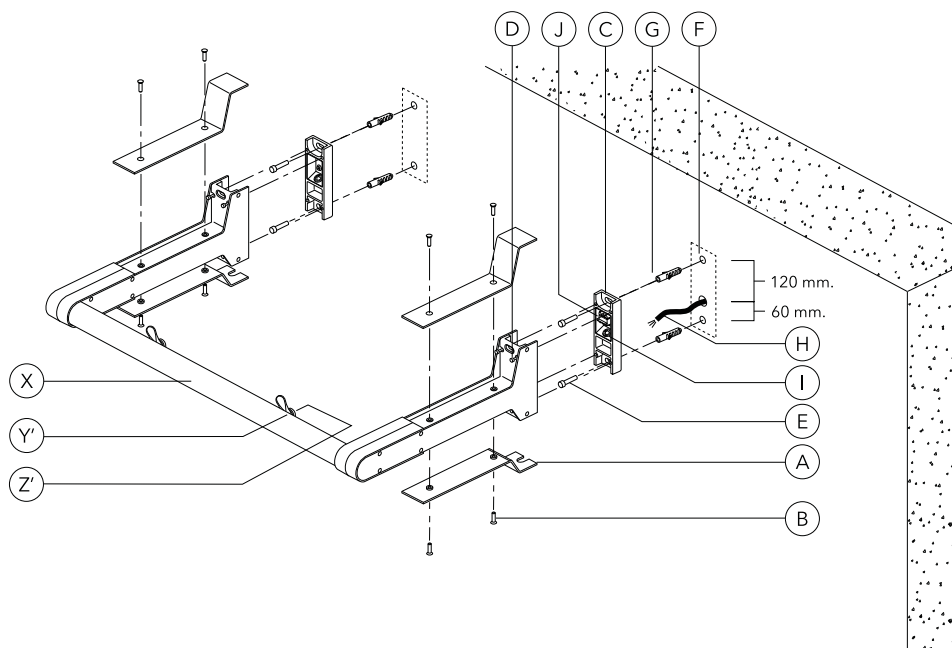
Pay particular attention to tension-free alignment of terminal connector **J**. Tighten screws **D** in a criss-cross pattern for proper gasket compression, evenly.

**Warning:** In the process, do not apply any load to rail assembly **X**.

- 9) Tighten bolts **E**.
- 10) Reposition covers **A** and secure in position by tightening screws **B**.
- 11) For luminaire installation, see overleaf, dedicated installation instructions.

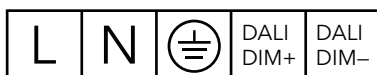
**Attention:** Check and ensure proper fit and tightness of protective covers **Z'** on mains outlets **Y'**. Remove cover(s) only when installing luminaire(s).

## Installation - RAIL66/CANTILEVER



## Terminal Block

Mains supply and dimming control connection





# **we-ef**

[www.we-ef.com](http://www.we-ef.com)

## **WE-EF LEUCHTEN**

Germany

Tel +49 5194 909 0

Fax +49 5194 909 299

[info.germany@we-ef.com](mailto:info.germany@we-ef.com)

## **WE-EF LUMIERE**

France

Tel +33 4 74 99 14 44

Fax +33 4 74 99 14 40

[info.france@we-ef.com](mailto:info.france@we-ef.com)

## **WE-EF SWITZERLAND**

Switzerland

Tel +41 22 752 49 94

Fax +41 22 752 49 74

[info.switzerland@we-ef.com](mailto:info.switzerland@we-ef.com)

## **WE-EF LIGHTING**

Thailand

Tel +66 2 738 9610

Fax +66 2 175 2174

[info.asiapacific@we-ef.com](mailto:info.asiapacific@we-ef.com)

## **WE-EF LIGHTING**

Australia

Tel +61 3 8587 0444

Fax +61 3 8587 0499

[info.australia@we-ef.com](mailto:info.australia@we-ef.com)

## **WE-EF LIGHTING**

United States of America

Tel +1 724 742 0030

Fax +1 724 742 0035

[info.usa@we-ef.com](mailto:info.usa@we-ef.com)

TO9143W0823 © WE-EF 2023

Technical specifications are  
subject to change.