



WE-EF LEUCHTEN

Installation and Maintenance
Instructions

Pendant luminaire

ALP534 LED

AOP534 LED



Surge Protection

This product features built-in surge protection circuitry in compliance with applicable standards.

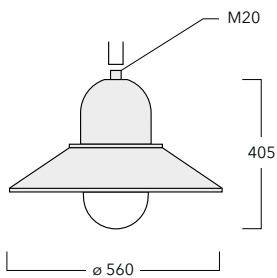
For comprehensive protection of a luminaire installation against lightning and electrical surges, it is essential to cover mains supply and data input lines at the distribution board level, by using respective primary (Type 1) and secondary (Type 2) surge arrestors in compliance with EN61643-11/ IEC61643-1.

Warning

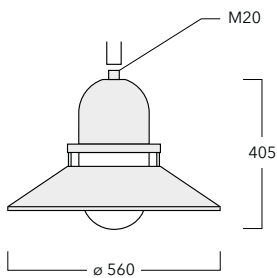
Ensure that all required surge protection measures are in place and activated prior to luminaire installation. Also, disconnect luminaires before operating high-power devices such as, for example, electrical arc welders.

Pendant luminaire

ALP534



AOP534



IP55, Class I, $t_a = 25^\circ\text{C}$

Light Source

LED

Maintenance

Apart from cleaning the product's exterior surfaces, no special maintenance work is required.

Do not use high-pressure cleaners.

In case of component failure due to abnormal circumstances or at end of life, replacement must be carried out by a suitably qualified and trained professional.

Warning: Do not open luminaire while mains supply is switched on.

Installation

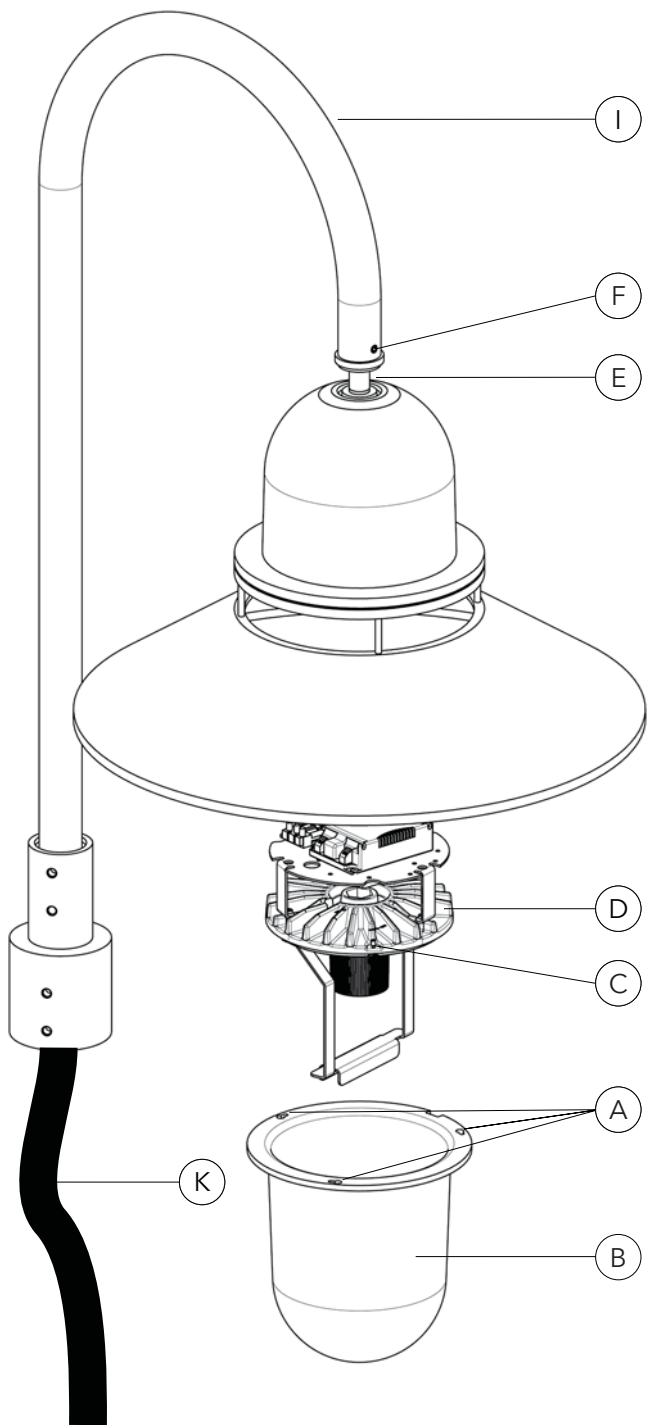
The product must be installed and maintained by a suitably qualified professional in compliance with latest building/construction and/or electrical regulations and relevant legislation.

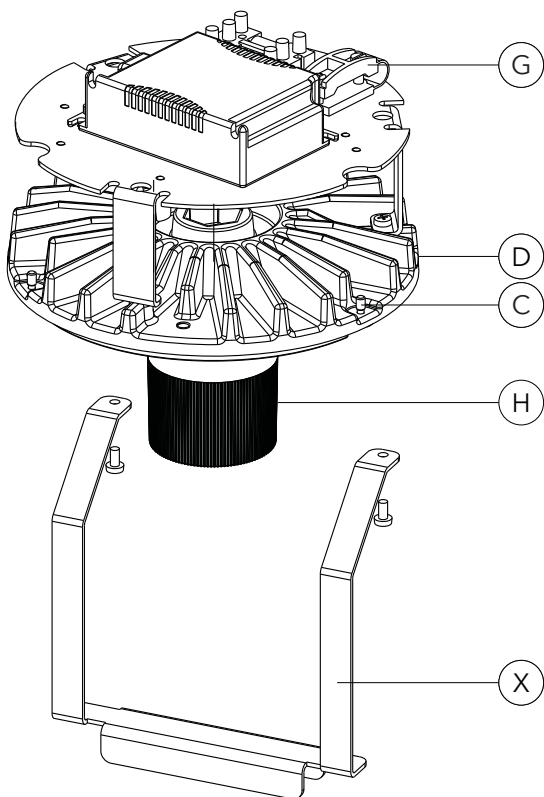
Warning: Switch off mains electrical supply prior to installing and connecting the luminaire.

Notice: If the luminaire is modified by anybody other than the original manufacturer, then the warranty will no longer be valid and shall become the full responsibility of the modifying person/organisation. Claims based on defects attributable to improper installation and/or application, and the consequences thereof, are excluded.

Installation Procedure

- 1) Switch off the mains electrical supply.
- 2) Check that the rating shown on luminaire label conforms with mains electrical supply.
- 3) Loosen screws **A** of the cover **B**. Twist the cover gently and unhook downwards.
- 4) Hold the mounting bracket **X** and loosen fixing screws **C** of the gear tray. Do not use the lens **H** as a handle.
- 5) Remove the gear tray assembly **D**.
- 6) Hand tighten the luminaire with the M20 adaptor **E** to the bracket and with secure set screw **F**.
- 7) Feed the mains cable through the luminaire, out through the bracket **I** and into the pole.
- 8) Insert mains cable through strain relief clamp **G** and connect the leads to their respective terminals: (L = Phase, N = Neutral, \oplus = Earthing).
- 9) Return gear tray assembly **D** to luminaire and tighten fixing screws **C**.
- 10) Remove mounting bracket **X** (please retain).
- 11) Return the cover **B** and tighten fixing screws **A**.





we-ef

www.we-ef.com

WE-EF LEUCHTEN

Germany

Tel +49 5194 909 0

Fax +49 5194 909 299

info.germany@we-ef.com

WE-EF LUMIERE

France

Tel +33 4 74 99 14 44

Fax +33 4 74 99 14 40

info.france@we-ef.com

WE-EF SWITZERLAND

Switzerland

Tel +41 22 752 49 94

Fax +41 22 752 49 74

info.switzerland@we-ef.com

WE-EF LIGHTING

Thailand

Tel +66 2 738 9610

Fax +66 2 175 2174

info.asiapacific@we-ef.com

WE-EF LIGHTING

Australia

Tel +61 3 8587 0444

Fax +61 3 8587 0499

info.australia@we-ef.com

WE-EF LIGHTING

United States of America

Tel +1 724 742 0030

Fax +1 724 742 0035

info.usa@we-ef.com

TO9236W0823 © WE-EF 2023

Technical specifications are
subject to change.