



WE-EF LEUCHTEN

Installation and Maintenance
Instructions

Projector
RAIL66 and Space frame
FLC301
FLC311
FLC321



Do not open during installation

This product is factory-sealed.
Refer to the instructions contained
in this document for details.



Installation tools

Mounting hardware used on this product
includes fasteners with hexalobular
socket heads (ISO 10664). Installation
requires the use of matching tools.



Surge Protection

This product features built-in surge protection circuitry in compliance
with applicable standards.

For comprehensive protection of a luminaire installation against lightning
and electrical surges, it is essential to cover mains supply and data input
lines at the distribution board level, by using respective primary (Type 1)
and secondary (Type 2) surge arrestors in compliance with EN61643-11/
IEC61643-1.

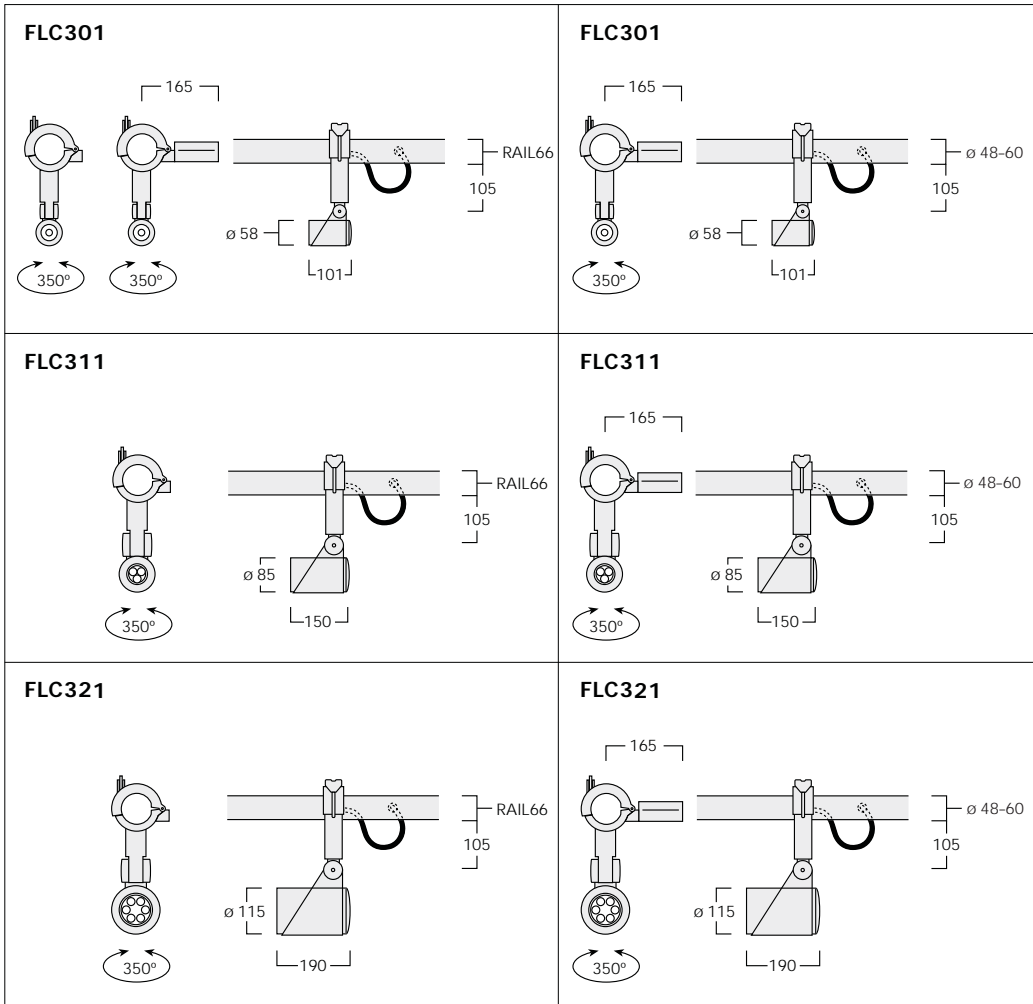
Warning

Ensure that all required surge protection measures are in place and
activated prior to luminaire installation. Also, disconnect luminaires
before operating high-power devices such as, for example, electrical
arc welders.

Projector

RAIL66

Space frame



IP66, IK08. Class I. $T_a = 40^\circ C$

Weight	kg
FLC301 RAIL66 with / without gearbox	1.9 / 1.2
FLC311 RAIL66 without gearbox	2.1
FLC321 RAIL66 without gearbox	2.5
FLC301 Space frame	1.7
FLC311 Space frame	3.4
FLC321 Space frame	3.7

Light Source

LED

Maintenance

Apart from cleaning the product's exterior surfaces, no special maintenance work is required.

Do not use high-pressure cleaners.

In case of component failure due to abnormal circumstances or at end of life, replacement must be carried out by a suitably qualified and trained professional.

Warning: Do not open luminaire while mains supply is switched on.

Installation

The product must be installed and maintained by a suitably qualified professional in compliance with latest building/construction and/or electrical regulations and relevant legislation.

Warning: Switch off mains electrical supply prior to installing and connecting the luminaire.

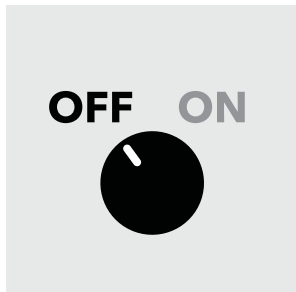
Notice: If the luminaire is modified by anybody other than the original manufacturer, then the warranty will no longer be valid and shall become the full responsibility of the modifying person/organisation. Claims based on defects attributable to improper installation and/or application, and the consequences thereof, are excluded.

The installation on site must comply with local and/or national health and safety regulations.

Installation Procedure

Installation - RAIL66 version: Prior to installing the luminaire, mount and connect the selected RAIL66 mounting system in accordance with relevant installation instructions

- 1) Switch off mains electrical supply.

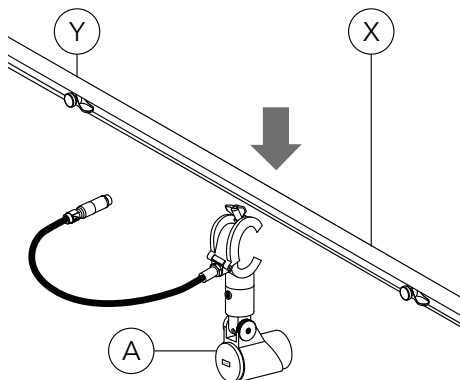


- 2) Check that rating shown on luminaire label conforms with mains electrical supply.

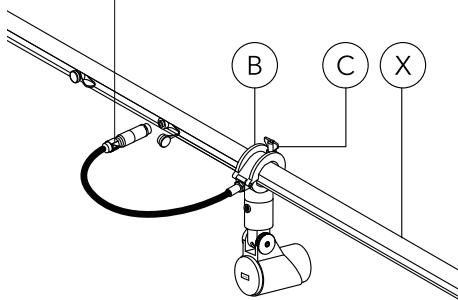
we-ef 07/20 IP66 **CE**
FLC301-LED → 220-240V/50-60 Hz
145-XXXX SOE XXXXXXXX
LED 3000K 12W item no. XXX

(example)

- 3) Determine desired position of luminaire **A** on rail **X**, dependent on aiming requirements and proximity to a suitable mains outlet **Y**.

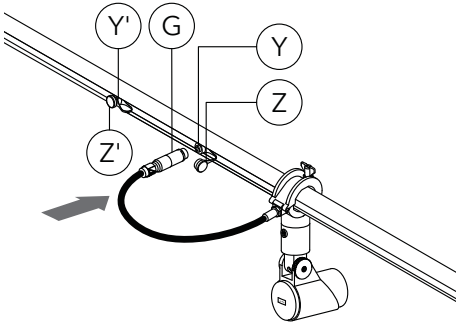


- 4) Attach clamp **B** to **X**. Tighten wingnut **C**.

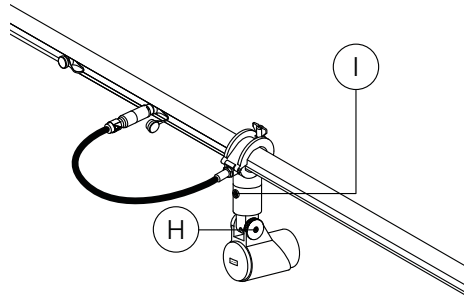


- 5) Remove protective cover **Z** from mains outlet **Y**. Insert in-line connector **G** and tighten.

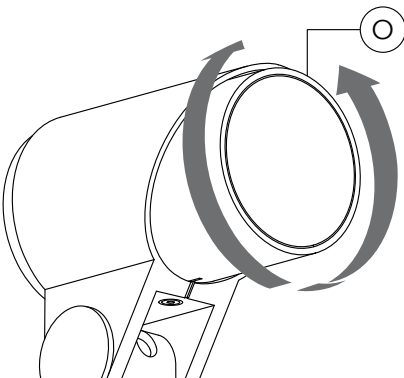
Attention: On any mains outlet **Y'** that is not used, protective cover **Z'** must remain firmly secured. Check and ensure proper fit and tightness.



- 6) Loosen screws **H** and **I** slightly. Aim luminaire in desired direction, retighten screws **H** and **I**.

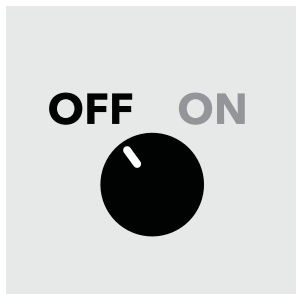


- 7) For accessory Linear Spread Lens IO-180:
Turn frame **O** to set desired orientation of light.




Installation - Space frame version: Suitable for space frame diameter 48-60 mm.

- 1) Switch off mains electrical supply.

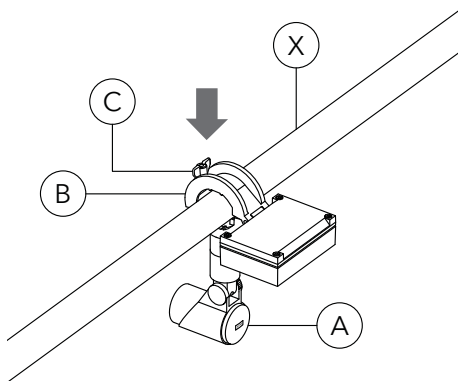


- 2) Check that rating shown on luminaire label conforms with mains electrical supply.

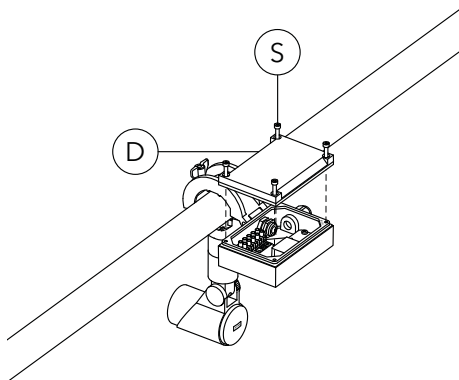
we-ef 07/20 IP66 
FLC301-LED → 220-240V/50-60 Hz
145-XXXX SOE XXXXXXX
LED 3000K 12W item no. XXX

(example)

- 3) Determine desired position of luminaire **A** on space frame **X**, dependent on aiming requirements. Attach clamp **B** to space frame **X**. Tighten wingnut **C**.



- 4) Detach gear box cover **D** by loosening screws **S**.



- 5) Feed mains supply cable **E** through cable gland **G** (Fig. I).

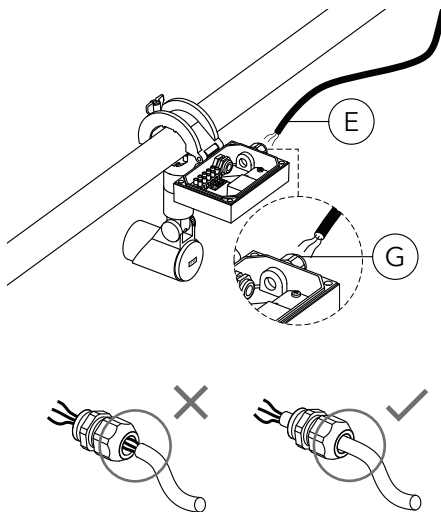


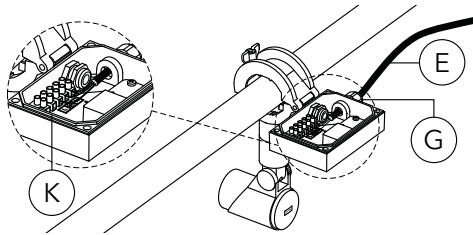
Fig. I

6) Connect mains supply cable **G** leads to respective terminals of socket **K**:

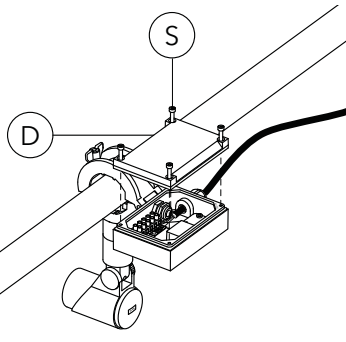
For **FLC301 / 311 / 321**:

- a) ON-OFF (L = Phase, N = Neutral, ⊕ = Earthing)
- b) 1-10V/DALI (L = Phase, N = Neutral, ⊕ = Earthing, DA/DA = DALI control line, D-/D+ = 1-10V control line)

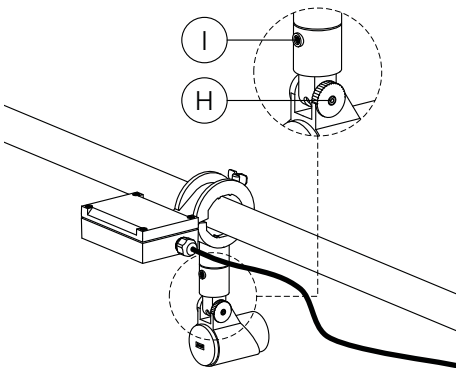
Tighten cable gland **G**.



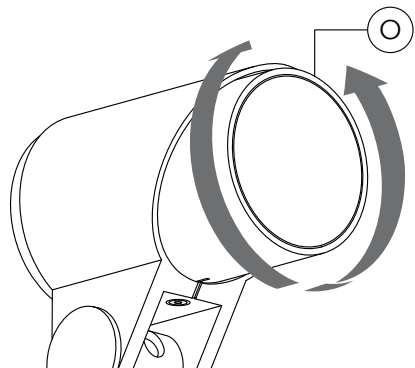
7) Reposition gear box cover **D** and secure in position by retighten screws **S**.



8) Loosen screws **H** and **I** slightly. Aim luminaire in desired direction, retighten screws **H** and **I**.



9) For accessory Linear Spread Lens IO-180:
Turn frame **O** to set desired orientation of light.



we-ef

www.we-ef.com

WE-EF LEUCHTEN

Germany

Tel +49 5194 909 0

Fax +49 5194 909 299

info.germany@we-ef.com

WE-EF LUMIERE

France

Tel +33 4 74 99 14 44

Fax +33 4 74 99 14 40

info.france@we-ef.com

WE-EF SWITZERLAND

Switzerland

Tel +41 22 752 49 94

Fax +41 22 752 49 74

info.switzerland@we-ef.com

WE-EF LIGHTING

Thailand

Tel +66 2 738 9610

Fax +66 2 175 2174

info.asiapacific@we-ef.com

WE-EF LIGHTING

Australia

Tel +61 3 8587 0444

Fax +61 3 8587 0499

info.australia@we-ef.com

WE-EF LIGHTING

United States of America

Tel +1 724 742 0030

Fax +1 724 742 0035

info.usa@we-ef.com

TO9273W0722 © WE-EF 2022

Technical specifications are
subject to change.



WE-EF LEUCHTEN

Installation and Maintenance
Instructions

Projector and Floodlight
Mounting System

RAIL66

Projector and Floodlight Mounting System

RAIL66



Versatile mounting system, developed in conjunction with and engineered for a dedicated range of WE-EF luminaires. IP66, Class I, $t_a \leq 40^\circ\text{C}$. Suitable for both interior and exterior applications.

RAIL66/UNIVERSAL

RAIL66/UNIVERSAL		L1	L2
310-9300	2 Mains outlets	1150	1045
310-9301	3 Mains outlets	1150	1045
310-9302	3 Mains outlets	1650	1545
310-9303	4 Mains outlets	1650	1545
310-9304	4 Mains outlets	2150	2045
310-9305	6 Mains outlets	2150	2045

RAIL66/CANTILEVER

RAIL66/CANTILEVER		L1	L2
310-9233	2 Mains outlets	1150	1070
310-9234	3 Mains outlets	1150	1070
310-9243	3 Mains outlets	1650	1570
310-9244	4 Mains outlets	1650	1570
310-9255	4 Mains outlets	2150	2070
310-9256	6 Mains outlets	2150	2070

Installation

The product must be installed and maintained by a suitably qualified person in compliance with the latest applicable regulations and relevant legislation.

Claims based on defects attributable to improper installation, application, operation and/or any modification carried out by the purchaser or third parties, and the consequences thereof, are excluded.

RAIL66 versions may be mounted to a variety of surfaces. Care must be taken to ensure that mounting is appropriate to prevailing site conditions, including structural and wind loads etc.

Luminaire Installation

Refer to separate, dedicated installation instructions.

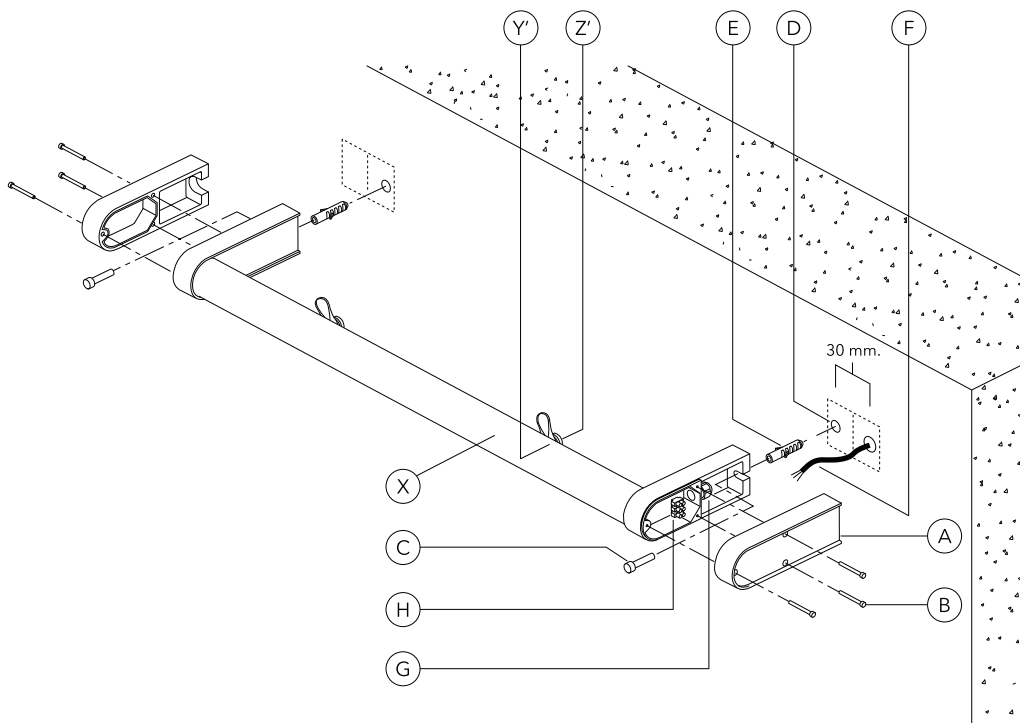
Installation Procedure - RAIL66/UNIVERSAL

- 1) Switch off the mains electrical supply.
- 2) Remove covers **A** by releasing screws **B**.
- 3) Check that rating shown on product label conforms with mains electrical supply.
- 4) Determine positions for fixing bolts **C**.
Drill relevant holes **D** and insert nylon plugs **E**.
Warning: Make sure not to damage any electric cable, water pipe or other devices while drilling holes.
- 5) Set and fix rail assembly **X** in position. Tighten bolts **C**.
- 6) Feed mains supply cable **F** through cable gland **G**. Tighten cable gland **G**.
- 7) Connect mains supply leads to respective terminals in terminal connector **H** (N = Neutral, L = Phase, \oplus = Earthing).
Connect the dimming control leads to either 'DIM+' and 'DIM-' (1-10 V analogue dimming) or 'DALI' and 'DALI'.
- 8) Ensure that all surfaces are clean and dry, then reposition covers **A**. Tighten screws **B** in a criss-cross pattern for proper gasket compression. Pay particular attention to equal tightness.
- 9) For luminaire installation, see overleaf, dedicated installation instructions.

Attention: Check and ensure proper fit and tightness of protective covers **Z'** on mains outlets **Y'**: Remove cover(s) only when installing luminaire(s).

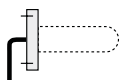
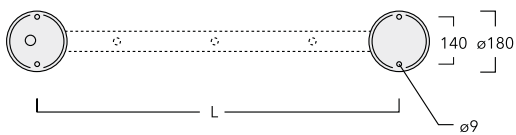
Note: When installing optional mounting accessories, refer to Fig. I and II for guidance.

Installation - RAIL66/UNIVERSAL



Optional Mounting Accessories for RAIL66/UNIVERSAL

Fig. I



30

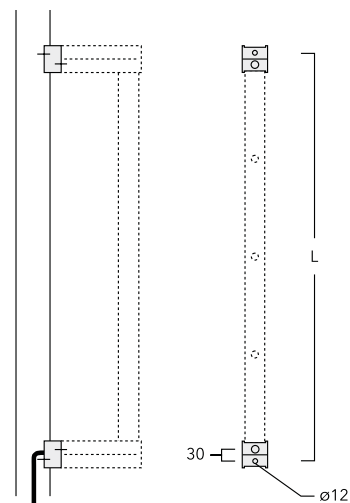
Flat Surface Fitters (pair)

L

310-9290

1070/1570/2070

Fig. II



$D \geq 100$

Column Fitters (pair)

L

310-9294

1115/1615/2115

Installation Procedure - RAIL66/CANTILEVER

- 1) Switch off the mains electrical supply.
- 2) Remove covers **A** by releasing screws **B**.
- 3) Check that rating shown on product label conforms with mains electrical supply.
- 4) Remove wall flanges **C** by releasing screws **D**.
- 5) Determine positions for fixing bolts **E**.
Drill relevant holes **F** and insert nylon plugs **G**.
Warning: Make sure not to damage any electric cable, water pipe or other devices while drilling holes.
- 6) Feed mains supply cable **H** through cable gland **I**, while setting and fixing wall flanges **C** in position.
Attention: Bolts **E** should only be fully tightened after alignment has been confirmed.
- 7) Connect mains supply leads to respective terminals in terminal connector **J** (N = Neutral, L= Phase, ⊕ = Earthing).
Connect the dimming control leads to either 'DIM+' and 'DIM-' (1-10 V analogue dimming) or 'DALI' and 'DALI'.
- 8) Slide rail assembly **X** carefully over wall flanges **C**.

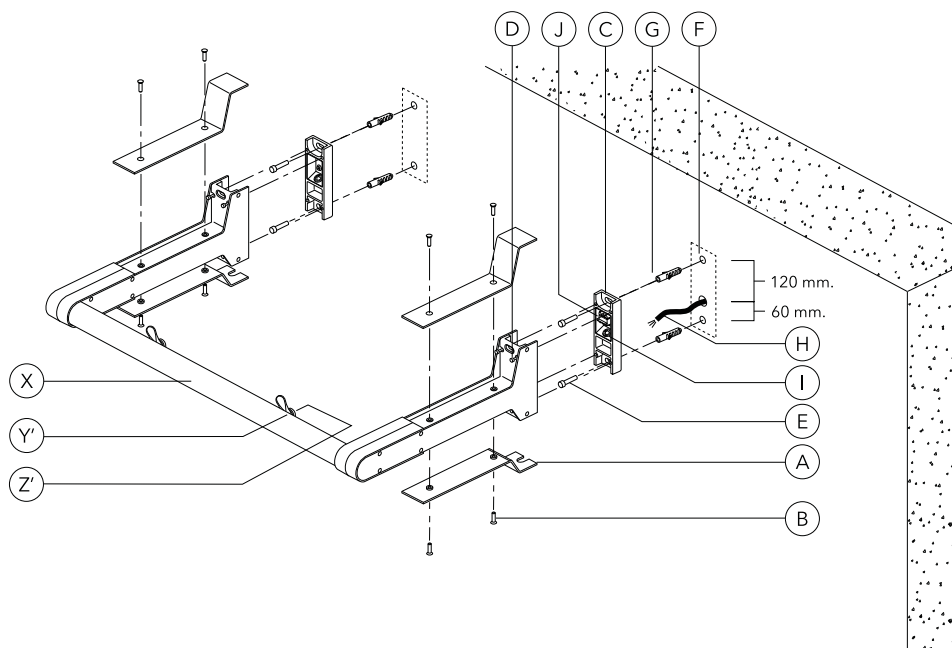
Pay particular attention to tension-free alignment of terminal connector **J**. Tighten screws **D** in a criss-cross pattern for proper gasket compression, evenly.

Warning: In the process, do not apply any load to rail assembly **X**.

- 9) Tighten bolts **E**.
- 10) Reposition covers **A** and secure in position by tightening screws **B**.
- 11) For luminaire installation, see overleaf, dedicated installation instructions.

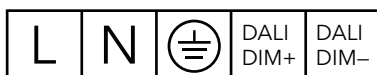
Attention: Check and ensure proper fit and tightness of protective covers **Z'** on mains outlets **Y'**. Remove cover(s) only when installing luminaire(s).

Installation - RAIL66/CANTILEVER



Terminal Block

Mains supply and dimming control connection



we-ef

www.we-ef.com

WE-EF LEUCHTEN

Germany

Tel +49 5194 909 0

Fax +49 5194 909 299

info.germany@we-ef.com

WE-EF LUMIERE

France

Tel +33 4 74 99 14 44

Fax +33 4 74 99 14 40

info.france@we-ef.com

WE-EF SWITZERLAND

Switzerland

Tel +41 22 752 49 94

Fax +41 22 752 49 74

info.switzerland@we-ef.com

WE-EF LIGHTING

Thailand

Tel +66 2 738 9610

Fax +66 2 175 2174

info.asiapacific@we-ef.com

WE-EF LIGHTING

Australia

Tel +61 3 8587 0444

Fax +61 3 8587 0499

info.australia@we-ef.com

WE-EF LIGHTING

United States of America

Tel +1 724 742 0030

Fax +1 724 742 0035

info.usa@we-ef.com

TO9143W0823 © WE-EF 2023

Technical specifications are
subject to change.