



WE-EF LEUCHTEN

Installation and Maintenance
Instructions

Post Mounted Luminaires

AFL100 series



Surge Protection

This product features built-in surge protection circuitry in compliance with applicable standards.

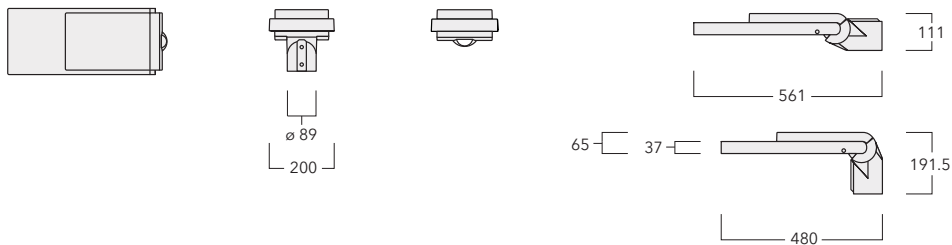
For comprehensive protection of a luminaire installation against lightning and electrical surges, it is essential to cover mains supply and data input lines at the distribution board level, by using respective primary (Type 1) and secondary (Type 2) surge arrestors in compliance with EN61643-11/ IEC61643-1.

Warning

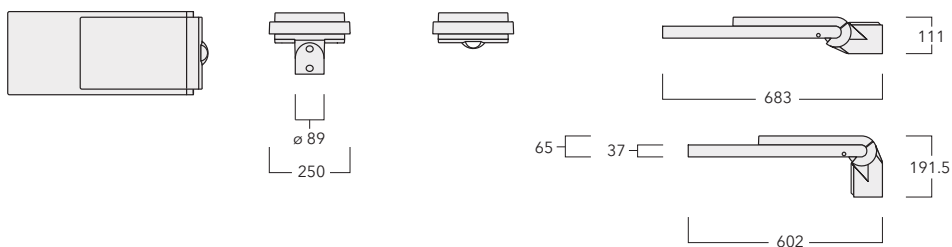
Ensure that all required surge protection measures are in place and activated prior to luminaire installation. Also, disconnect luminaires before operating high-power devices such as, for example, electrical arc welders.

Post Mounted Luminaires

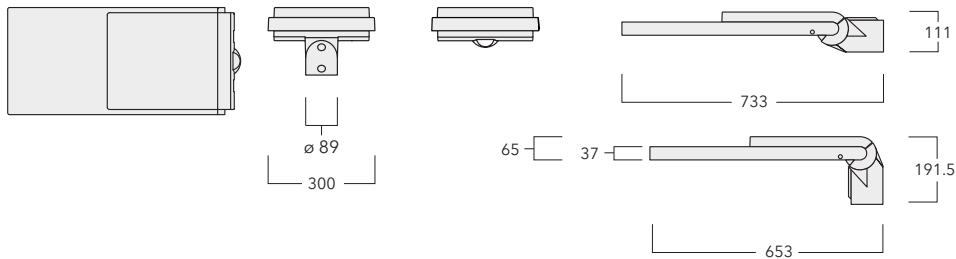
AFL110



AFL120



AFL130



IP66. IK08. Class I, II. T_a see table in step 8, on the last page



Tool required

- Torx 20, 25, 30 & 45
- Screwdriver with blade 4x1 mm
- Diagonal cutting pliers
- Wire stripper
- 5 mm Allen key

Mounting height

3 - 8 m

Installation: horizontal, light output downwards

The photometric data was measured at an incline of 2.5°.

Weight	kg
for AFL110	max. 4.70
for AFL120	max. 6.95
for AFL130	max. 8.60

Windage area	m ²
for AFL110	max. 0.092
for AFL120	max. 0.146
for AFL130	max. 0.191

Light Source

LED

Maintenance

Apart from cleaning the product's exterior surfaces, no special maintenance work is required.

Do not use high-pressure cleaners.

In case of component failure due to abnormal circumstances or at end of life, replacement must be carried out by a suitably qualified and trained professional.

Warning: Do not open luminaire while mains supply is switched on.

Important: To clean the glass panel, we recommend isopropanol 99% diluted 1:1 with distilled water.

Installation

The product must be installed and maintained by a suitably qualified professional in compliance with latest building/construction and/or electrical regulations and relevant legislation.

Warning: Switch off mains electrical supply prior to installing and connecting the luminaire.

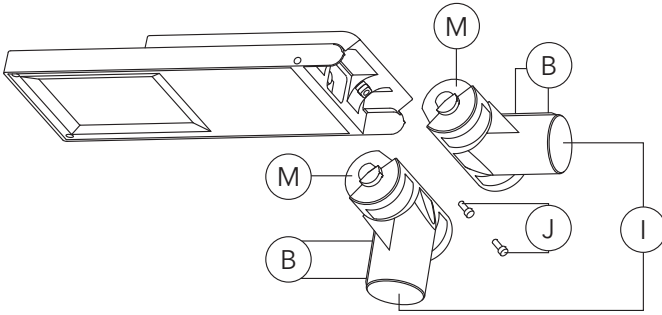
Notice: If the luminaire is modified by anybody other than the original manufacturer, then the warranty will no longer be valid and shall become the full responsibility of the modifying person/organisation. Claims based on defects attributable to improper installation and/or application, and the consequences thereof, are excluded.

The installation on site must comply with local and/or national health and safety regulations.

Post top and Side entry

Attachment **M** can be mounted vertically or horizontally. To change position loosen fasteners **J**, rotate by 180° and refasten.

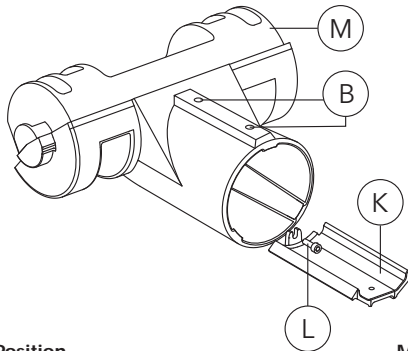
For vertical mounting, attachment can be set at 0° or 2.5° by loosening screws **J**. For horizontal mounting, attachment can be set at 0°, 2.5°, 5°, 7.5°, 10°, 12.5°, and 15°.



Adaptor (to be ordered separately)

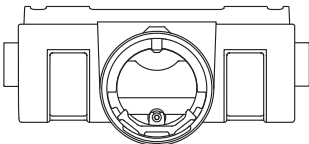
Using adaptor **K**, diameter can be reduced from 76 mm to 60 mm or 42 mm.

Attach adaptor **K** with the fasteners **L** to **M**. **See below for position**. When using adapter **K**, standard fasteners **B** M10x10 must be replaced with fasteners M10x20 supplied with the adapter.



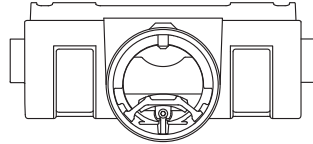
Mounting Position

D = 60 mm



Mounting Position

D = 42 mm



Installation Procedure

1) Switch off mains electrical supply.



2) Check that rating shown on luminaire label conforms with mains electrical supply.

we-ef

04/23 IP66 

AFL120 LED →

220-240V/50-60 Hz

102-XXXX

SOE XXXXXXXX

LED 3000K 24W item no. XXX

(example)


3) Connect mains supply cable leads to the provided separate connector as shown in fig. 1 to fig. 4
1 = Phase (L), N = Neutral (N), 2 = DA+, 3 = DA-,  = Earthing (PE)



fig. 1



fig. 2

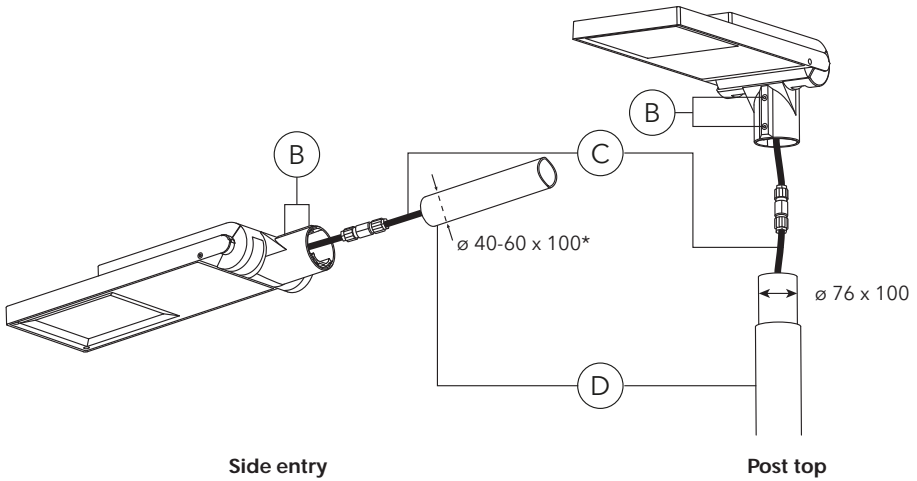


fig. 3



fig. 4

4) Feed mains cable **C** into pole **D**, while setting luminaire assembly in position. Tighten screws **B**.



* $\varnothing 60 \times 100$ adaptor **K** is required

5) Trim mains supply cable **C** to the desired length and connect leads to their respective terminals at the base of pole.

6) Table of maximum temperature AFL110, AFL120 and AFL130.

AFL110 - 8 LED	
Power	T_a
8 W	50 °C
12 W	50 °C
16 W	50 °C
24 W	50 °C

AFL110 - 16 LED	
Power	T_a
16 W	50 °C
24 W	50 °C
32 W	50 °C
48 W	50 °C

AFL120	
Power	T_a
24 W	50 °C
36 W	50 °C
48 W	50 °C
72 W	45 °C

AFL130	
Power	T_a
48 W	50 °C
72 W	50 °C
96 W	50 °C
114 W	45 °C

we-ef

www.we-ef.com

WE-EF LEUCHTEN

Germany

Tel +49 5194 909 0

Fax +49 5194 909 299

info.germany@we-ef.com

WE-EF LUMIERE

France

Tel +33 4 74 99 14 44

Fax +33 4 74 99 14 40

info.france@we-ef.com

WE-EF SWITZERLAND

Switzerland

Tel +41 22 752 49 94

Fax +41 22 752 49 74

info.switzerland@we-ef.com

WE-EF LIGHTING

Thailand

Tel +66 2 738 9610

Fax +66 2 175 2174

info.asiapacific@we-ef.com

WE-EF LIGHTING

Australia

Tel +61 3 8587 0444

Fax +61 3 8587 0499

info.australia@we-ef.com

WE-EF LIGHTING

United States of America

Tel +1 724 742 0030

Fax +1 724 742 0035

info.usa@we-ef.com

TO9280W0724 © WE-EF 2024

Technical specifications are
subject to change.