



WE-EF LEUCHTEN
Installation and Maintenance
Instructions

Post Mounted Luminaires
AFL100 series



Do not open during installation

This product is factory-sealed.
Refer to the instructions contained
in this document for details.



Surge Protection

This product features built-in surge protection circuitry in compliance with applicable standards.

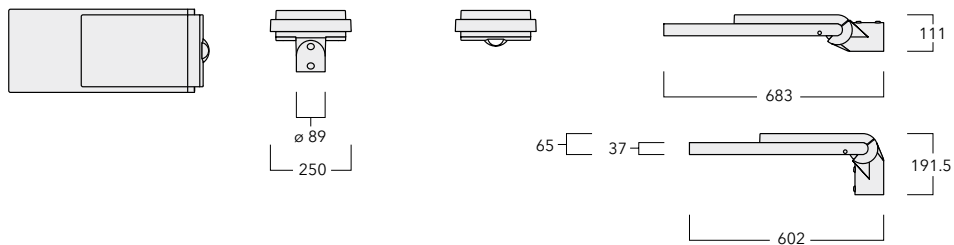
For comprehensive protection of a luminaire installation against lightning and electrical surges, it is essential to cover mains supply and data input lines at the distribution board level, by using respective primary (Type 1) and secondary (Type 2) surge arrestors in compliance with EN61643-11/IEC61643-1.

Warning

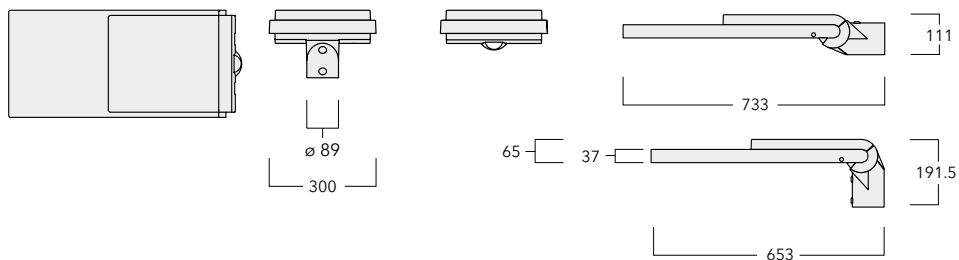
Ensure that all required surge protection measures are in place and activated prior to luminaire installation. Also, disconnect luminaires before operating high-power devices such as, for example, electrical arc welders.

Post Mounted Luminaires

AFL120



AFL130



IP66. IK08 [AFL120], IK09 [AFL130]. Class I, II. $T_a = 25^\circ\text{C}$

$\varnothing 9 - 14 \text{ mm}$ $1 - 2.5 \text{ mm}^2$

Tool required

Torx 20, 45

5 mm Allen key



| Weight | kg |
|------------|-----------|
| for AFL120 | max. 6.95 |
| for AFL130 | max. 8.60 |

| Windage area | m^2 |
|--------------|--------------|
| for AFL120 | max. 0.146 |
| for AFL130 | max. 0.191 |

| Windage area | m^2 |
|--------------|--------------|
| for AFL120 | max. 0.146 |
| for AFL130 | max. 0.191 |

Mounting height 3 - 8 m

Installation: horizontal, light output downwards

Light Source

LED

Maintenance

Apart from cleaning the product's exterior surfaces, no special maintenance work is required.

Do not use high-pressure cleaners.

In case of component failure due to abnormal circumstances or at end of life, replacement must be carried out by a suitably qualified and trained professional.

Warning: Do not open luminaire while mains supply is switched on.

Caution: Risk of electric shock!



Installation

The product must be installed and maintained by a suitably qualified professional in compliance with latest building/construction and/or electrical regulations and relevant legislation.

Warning: Switch off mains electrical supply prior to installing and connecting the luminaire.

Caution: Risk of electric shock!



Notice: If the luminaire is modified by anybody other than the original manufacturer, then the warranty will no longer be valid and shall become the full responsibility of the modifying person/organisation. Claims based on defects attributable to improper installation and/or application, and the consequences thereof, are excluded.

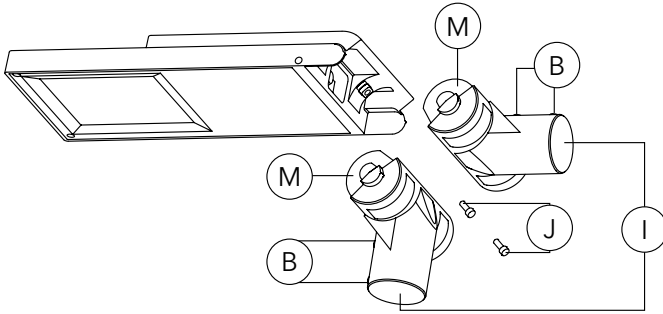
Attention: The luminaire is factory-sealed and does not need to be opened during installation.

The installation on site must comply with local and/or national health and safety regulations.

Post top and Side entry

Attachment **M** can be mounted vertically or horizontally. To change position loosen fasteners **J**, rotate by 180° and refasten.

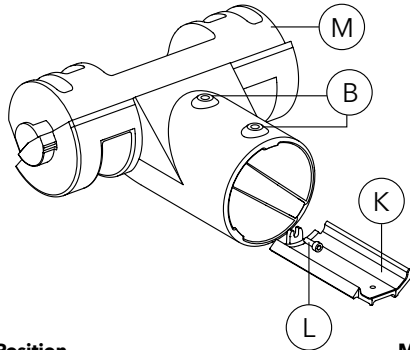
For vertical mounting, attachment can be set at 0° or 2.5° by loosening screws **J**. For horizontal mounting, attachment can be set at 0°, 2.5°, 5°, 7.5°, 10°, 12.5°, and 15°.



Adaptor (to be ordered separately)

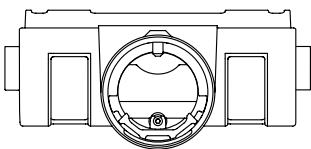
Using adaptor **K** (Part No.: 102-0392), diameter can be reduced from 76 mm to 60 mm or 42 mm.

Attach adaptor **K** with the fasteners **L** to **M**. **See below for position**. When using adaptor, the fasteners **B** M10x10 must be replaced with the fasteners **B** M10x20 supplied with the adaptor.



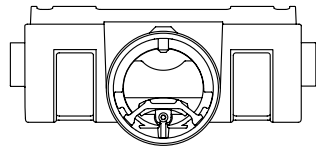
Mounting Position

D = 60 mm



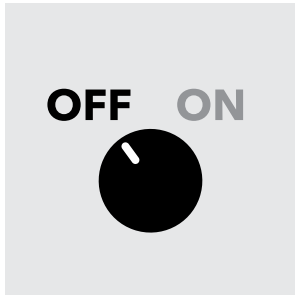
Mounting Position

D = 42 mm

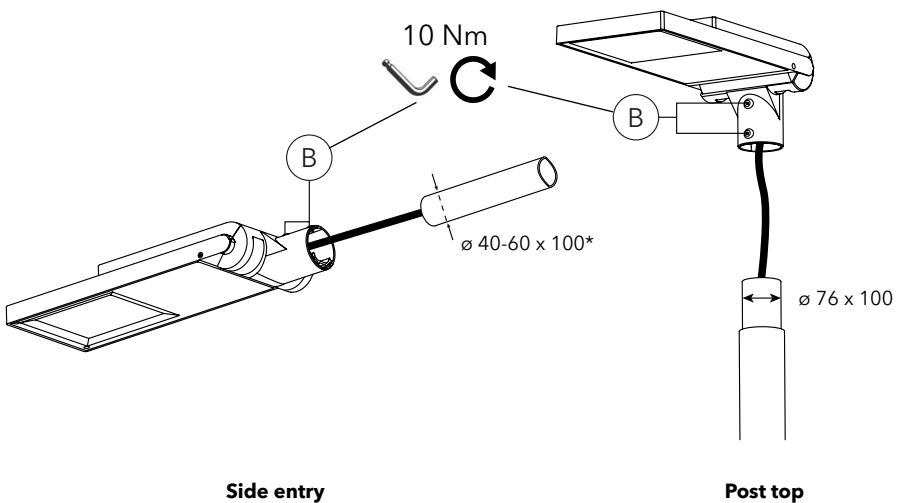


Installation Procedure

- 1) Switch off and isolate mains electrical supply.



- 2) Pull the connecting cable through the pole. Place the luminaire on top of the pole and tighten fasteners **B**, tightening to a torque of 10 Nm.

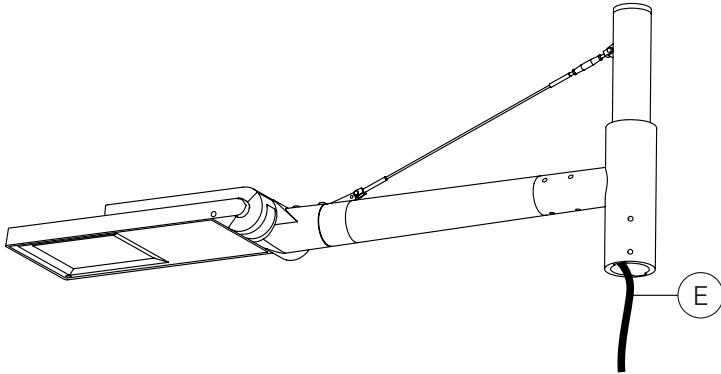


* $\varnothing 60 \times 100$ adaptor **K** is required.

3) Trim mains cable **E** to the desired length and connect the leads to their respective terminals at the base of the pole:

- a) ON/OFF (L = Phase, N = Neutral, ⊕ = Earthing)
- b) BASIC (L1 = Phase 1, L2 = Phase 2, N = Neutral, ⊕ = Earthing)
- c) DALI (L = Phase, N = Neutral, ⊕ = Earthing, DA/DA = DALI control line)

Unless ordered with an internal SPD, the flex must be connected to the terminals of the provided remote SPD behind the door at the base of the pole as per the provided SPD Installation Instructions.



we-ef

www.we-ef.com

WE-EF LEUCHTEN

Germany

Tel +49 5194 909 0

Fax +49 5194 909 299

info.germany@we-ef.com

WE-EF LUMIERE

France

Tel +33 4 74 99 14 44

Fax +33 4 74 99 14 40

info.france@we-ef.com

WE-EF SWITZERLAND

Switzerland

Tel +41 22 752 49 94

Fax +41 22 752 49 74

info.switzerland@we-ef.com

WE-EF LIGHTING

Thailand

Tel +66 2 738 9610

Fax +66 2 175 2174

info.asiapacific@we-ef.com

WE-EF LIGHTING

Australia

Tel +61 3 8587 0444

Fax +61 3 8587 0499

info.australia@we-ef.com

WE-EF LIGHTING

United States of America

Tel +1 724 742 0030

Fax +1 724 742 0035

info.usa@we-ef.com



TO9280W0223 © WE-EF 2023

Technical specifications are
subject to change.