

Safety Notice
 The manufacturer is then discharged from liability when damage is caused by improper use or installation.
 If any luminaire and/or accessory is subsequently modified, the persons responsible for the modification shall be considered as manufacturer.

WE-EF LEUCHTEN



Installation and Maintenance Instructions for Surface mounted exterior downlights
DAC140 LED



WE-EF LEUCHTEN Germany
 Tel +49 5194 909 0
 info.germany@we-ef.com

WE-EF LIGHTING Thailand
 Tel +66 2 738 9610
 info.asiapacific@we-ef.com

WE-EF LIGHTING Australia
 Tel +61 3 8587 0444
 info.australia@we-ef.com

WE-EF LUMIERE France
 Tel +33 4 74 99 14 44
 info.france@we-ef.com

WE-EF LIGHTING USA
 Tel +1 724 742 0030
 info.usa@we-ef.com

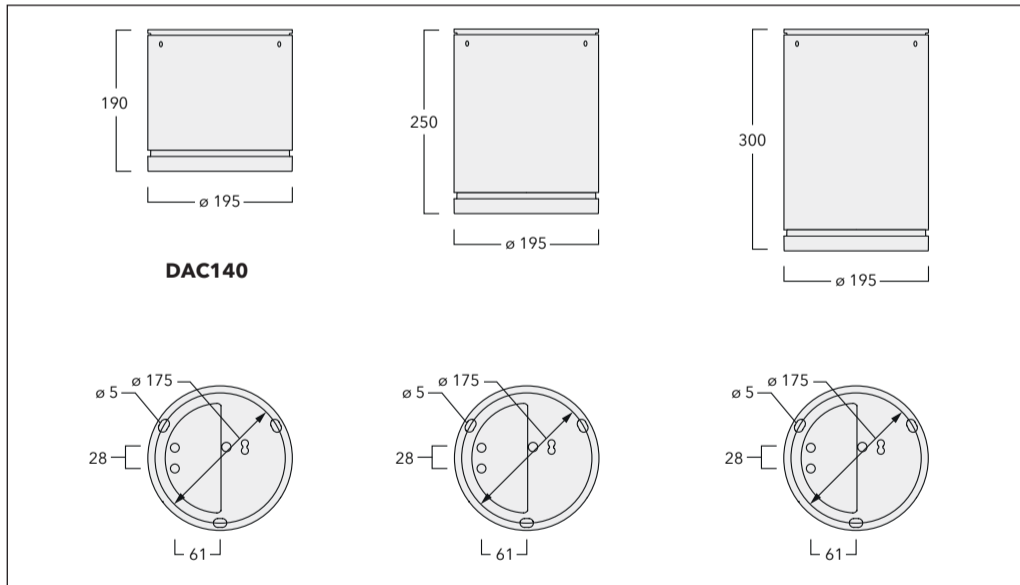
WE-EF HELVETICA Switzerland
 Tel +41 22 752 49 94
 info.switzerland@we-ef.com

DAC140_LED_141021 / 006-1686
 Technical specifications are subject to change.
 © WE-EF 2021

we-ef.com

Surface Mounted Exterior Downlights

IP66, IK07



Installation

The product must be installed and maintained by a suitably qualified professional in compliance with latest building/ construction and/or electrical regulations and relevant legislation.

Maintenance

Apart from cleaning the product's exterior surfaces, no special maintenance work is required. Do not use high-pressure cleaners.

Protect our environment: Discard used LEDs in compliance with the most recent environmental legislation.

Notice: If the luminaire is modified by anybody other than the original manufacturer, then the warranty will no longer be valid and shall become the full responsibility of the modifying person/ organisation. Claims based on defects attributable to improper installation and/or application, and the consequences thereof, are excluded.

In case of component failure, LED replacement due to abnormal circumstances or at end of life, replacement must be carried out by a suitably qualified and trained professional.

In case of questions please contact our technical hotline: +61 458 933 399 (from Monday - Friday from 07.00 until 19.00 hours).

Light source

DAC140.....	24 LED 48W*	Weight	
Class I, ta = 25°C		DAC140, H190.....	6,0 kg
		DAC140, H250.....	6,3 kg
* Nominal power, for latest data refer to www.we-ef.com		DAC140, H300.....	6,6 kg

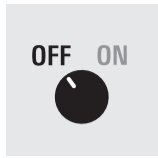


Tools required

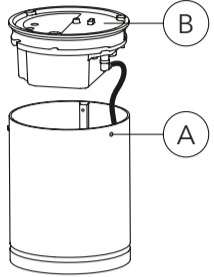
- Screwdriver with 3.0 mm x 0.8 mm blade
- 3 mm / 4 mm allen key
- Open-ended spanner 21 mm

Installation Procedure

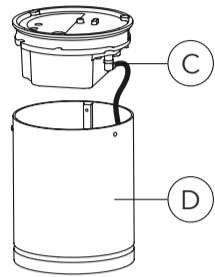
1) Switch off the mains electrical supply. ⚡



2) Loosen threaded pins **A** and pull ceiling mount section **B** upwards.



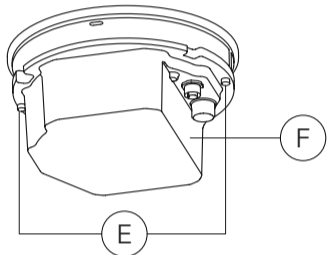
3) Loosen connector **C** and place to the side the lower part of the luminaire housing **D**.



4) Check that rating shown on luminaire label conforms with mains electrical supply. (example)

we-ef 12/18 IP66 CE
DAC140-LED 220-240V / 50-60 Hz
 131-XXXX → SOE XXXXXXXX
 LED 3000K 18W item no. XXX

5) Loosen the two fastening screws **E** from the cover **F** and remove the cover **F** from the ceiling mount section.

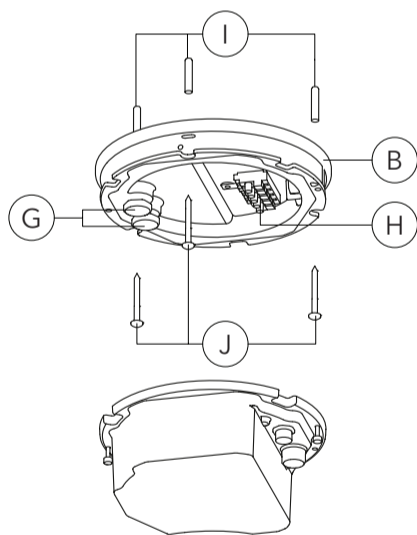


6) Prepare the mounting surface, guide the connection line through the cable glands **G** and fasten the ceiling mount section **B** to the ceiling with the screws **J**.

The pre-assembled sealing rings are suitable for cable diameters from 7 to 9,5 mm.

Use the supplied sealing rings for larger cable diameters (9 - 12 mm) or TPS cable. Use the enclosed dowels **I** for concrete ceilings!

ATTENTION: Ensure not to damage any electric cable, water pipe or other devices while drilling holes.

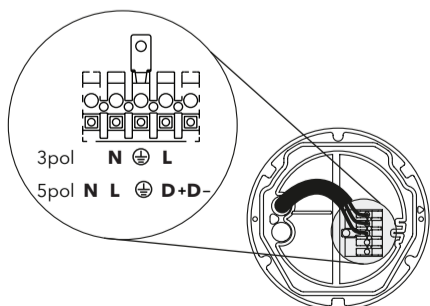


7) Connect the power supply line (s) to the corresponding positions on terminal H.

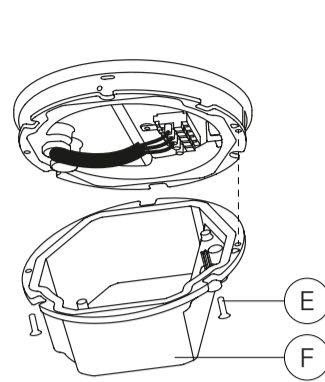
a) **ON / OFF** (L = phase, ⊕ = protective conductor, N = Neutral conductor)

b) **1-10V / DALI** (L = phase, N = neutral conductor, ⊕ = protective conductor, DA / DA = DALI control line, D- / D+ = 1-10V control line)

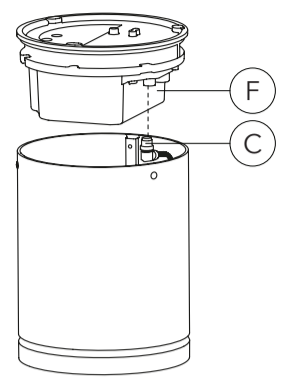
Tighten the cable glands **G**.



8) Reposition cover **F** tighten screws **E** firmly. (Must be aligned on top of triangle marks Δ between on cover and on ceiling mount section)

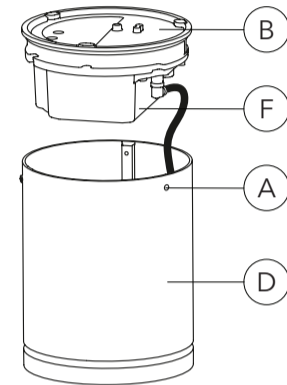


9) Attach connector **C** into socket on cover **F** and tighten screw.



10) Place the lower part of the luminaire housing **D** on the ceiling mount section **B** and tighten the threaded pins **A** (max. 0,2 Nm).

The cable gland in the lower part of the luminaire and the plug connection in the cover **F** must be aligned on top of each other!



11) When using a linear lens, the light distribution must be observed during installation! (See image)

The arrow points to the wall to be illuminated, when using the IO-20-WW

