

we-ef

WE-EF LIGHTING USA LLC

410-D Keystone Drive

Warrendale, PA 15086

USA

Tel +1 724 742 0030

Fax +1 724 742 0035

info.usa@we-ef.com

www.we-ef.com

we-ef

WE-EF LIGHTING USA LLC

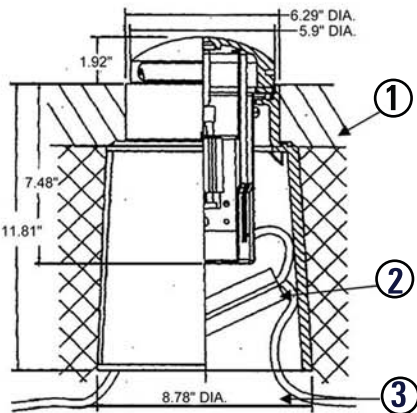
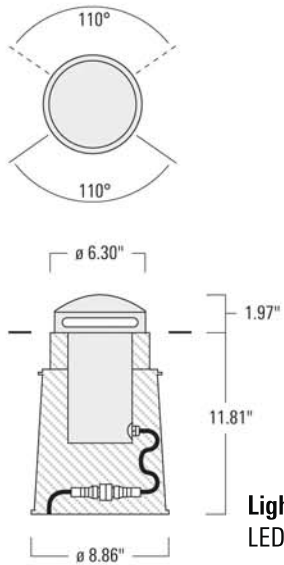
Installation and Maintenance
Instructions for Inground Uplights

EFC120 LED



**Installation and Maintenance
Instructions for
Inground Uplights series:**

EFC120 LED



1. Concrete or pavers with concrete and sand sub-base.
2. Installer to provide junction box or other code-approved connection of power supply.
3. Provide gravel for adequate drainage.

This product should be installed in accordance with the applicable installation code by a person familiar with the construction and operation of the product and the hazards involved. Be sure the electrical supply is off prior to installation.

1.) Prior to concrete installation, set the blockout **A** in an adequate recess in the ground, along with the power supply wiring. The top edge of the blockout should be set flush with the finished pavement. The arrow **N** on the blockout should be pointed towards the object to be illuminated.

2.) After all finished pavement work is completed, the electrical connections can be made (per local codes) and the fixture can be installed as follows.

3.) Switch off the electrical supply. Check that the ratings shown on the fixture labels conform with the electrical supply.

4.) Make the supply connections with the luminaire cable **I** in the installer provided junction box **B**.

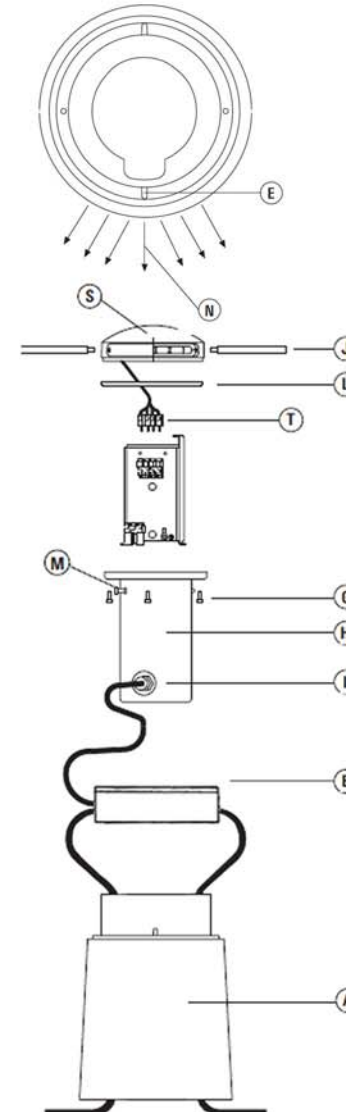
5.) The LEDs are factory installed and therefore opening of luminaire is not necessary.

6.) Align the 2 studs **M** on the luminaire assembly with the slots **E** in the blockout and set the luminaire in place. Secure the luminaire to the blockout with a clockwise twist using the 2 tightening rods provided **J**.

7.) Retain the 2 tightening rods provided for future maintenance.



Blockout Plan View



Lamp Replacement and Maintenance:

Do not open luminaire while in operation or while mains supply is switched on!

1. The LEDs cannot get exchanged separately. The complete luminaire head **S** needs to get exchanged.

2. Switch off the electrical supply and secure against accidental reconnection.

3. Put assembly lever **J** in the side drilling holes of the luminaire head and unlock the luminaire by twisting by approximately 20 counter-clockwise. Take out the luminaire upwards.

4. Loosen screws **G**, pull off quick disconnect **T** and take off the luminaire head **S**.

5. Clean parts with a suitable mild detergent.

6. Check gasket **L** for damage and replace if necessary.

7. Exchange luminaire head, plug on quick disconnect **T** and close luminaire as described.

8. Install the inground uplight into the installation blockout, as described in installation instruction #6.

Protect our environment: Discard used lamps in compliance with the most recent environmental legislation.