



WE-EF LIGHTING USA LLC

410-D Keystone Drive
Warrendale, PA 15086
USA
Tel +1 724 742 0030
Fax +1 724 742 0035
info.usa@we-ef.com
www.we-ef.com

Technical specifications are subject to change
© WE-EF 2013



WE-EF LIGHTING USA LLC

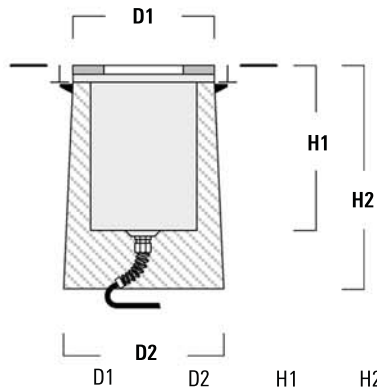
Installation and Maintenance
Instructions for Inground Uplights
ETC130-GB
ETC140-GB



**Installation and Maintenance
Instructions for
Inground Uplights series:**

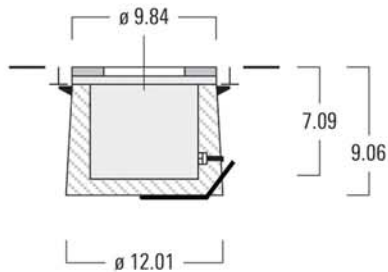
ETC130-GB / ETC130-GB LED

ETC140-GB / ETC140-GB LED



	D1	D2	H1	H2
ETC130	Ø 9.84	Ø 10.63	10.43	14.76
ETC140	Ø 11.81	Ø 12.80	12.40	16.54

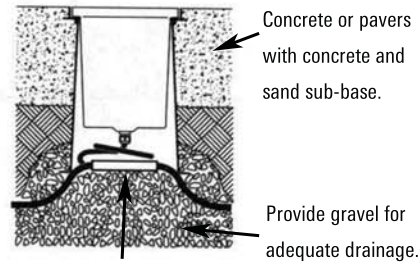
ETC130-RE-GB LED



Light source:

LED 12 - 24W
CMH 22 - 70W

This product should be installed in accordance with the applicable installation code by a person familiar with the construction and operation of the product and the hazards involved. Be sure the electrical supply is off prior to installation.



Installer to provide junction box or other code-approved connection of power supply.

1.) Prior to concrete installation, set the blackout **E/O** in an adequate recess in the ground, along with the power supply wiring. The mounting ring **E** should be set flush with the finished pavement, but remain at a higher elevation than the surrounding area to prevent water from pooling on the fixture after installation is complete. Arrow **R** should be pointed towards the object to be illuminated.

2.) After all finished pavement work is completed, the electrical connections can be made (per local codes) and the fixture can be installed as follows.

3.) Switch off the electrical supply. Check that the ratings shown on the fixture labels conform with the electrical supply.

4.) Make the supply connections with the luminaire cable **A**.

5.) Remove two SS mounting screws **Q** from the mounting ring **E** and set the luminaire into the blackout **E/O**.

6.) Remove the lens frame **G** and lens/gasket assembly **H/I** by removing the six flathead screws **J**.

7.) Attach luminaire to the mounting ring **E** with the two screws (removed in step 5) thru the luminaire flange into the threaded bosses in mounting ring **E**.

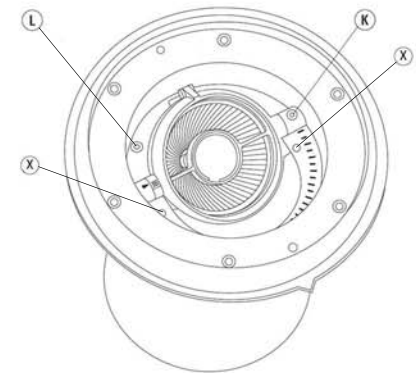
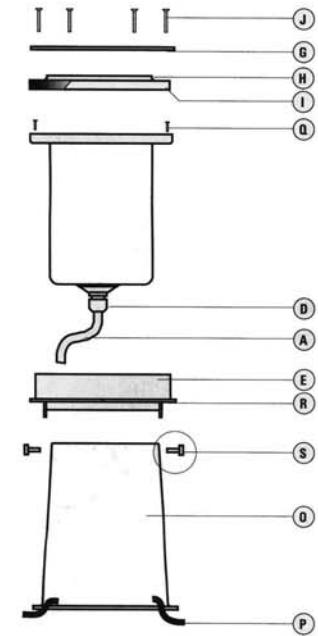
8.) To adjust the light distribution, loosen screws **K** and **L**. Now the angle of rotation and the inclination to the object which should get illuminated be get adjusted. Fix position by tightening screws **K** and **L**.

9.) Ensure the sealing surfaces of the lens gasket (**I**) and luminaire are clean and free of debris. Place the lens/gasket assy. into the luminaire while aligning the stud on the top flange of the housing, with the corresponding hole in the gasket. Note that there are recesses in the bottom of the gasket to accommodate the screw heads used in step 7.

10.) Place the lens frame **G** on top of gasket/lens assy., and install the six flat head screws **J**, in a cross pattern.

11.) Begin tightening the screws **J** in a criss-cross pattern until all six are properly seated. Repeat the tightening procedure again in a criss-cross pattern, for another two rounds until the final torque of 60 lbf.-in. (6.78 Nm) is achieved.

12.) In locations of high humidity, leave the screws **J** untightened and light the fixture for 30 minutes or more to allow moisture to evaporate. Then tighten the screws as described in step 11.



Maintenance:

To remove the gear tray loosen two screws **J**, fasten them on either side of the assembly **X** and pull the gear tray out of the fixture housing.

Be sure that the electrical connectors in the housing and on the gear tray are properly aligned when re-inserting it.