

we-ef

WE-EF LIGHTING USA LLC

410-D Keystone Drive

Warrendale, PA 15086

USA

Tel +1 724 742 0030

Fax +1 724 742 0035

info.usa@we-ef.com

www.we-ef.com

we-ef

WE-EF LIGHTING USA LLC

Installation and Maintenance

Instructions for Bracket Mounted Projectors

FLC121-T4 LED / FLC131-T4 LED / FLC141-T4 LED

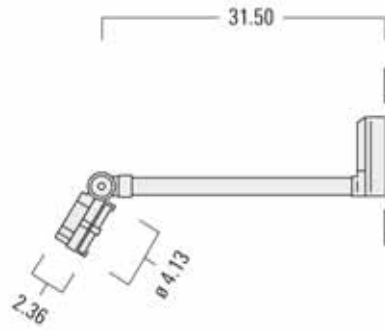


Technical specifications are subject to change

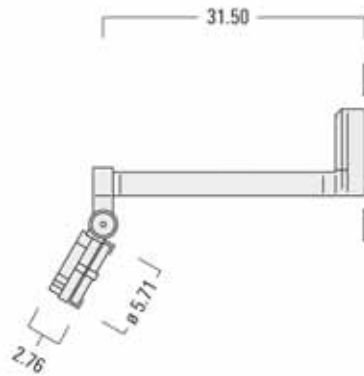
© WE-EF 2013

**Installation and Maintenance
Instructions for
Bracket Mounted Projectors:**

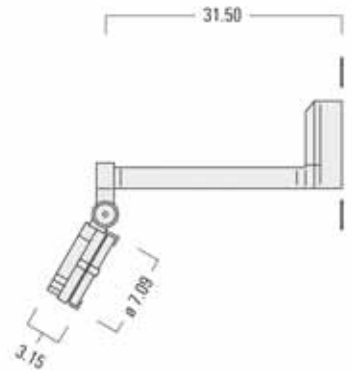
FLC121-T4 LED



FLC131-T4 LED



FLC141-T4 LED



Light source:
LED 6 - 40W

This product should be installed in accordance with the applicable installation code by a person familiar with the construction and operation of the product and the hazards involved. Be sure the electrical supply is off prior to installation. These fixtures are intended to be mounted over and attached to a recessed 4" octagon box.

- 1) Open the carton and remove the luminaire.
- 2) Remove the driver box cover and the tether (wire rope) from inside the cover.
- 3) LED circuit boards are factory installed. Luminaire head does not need to be opened during installation.
- 4) Remove the driver (w/driver plate) for access to the supply wires in the recessed J.B.

5) Attach the driver box to the mounting surface (4 holes provided for 1/4" dia. screws) over the recessed J.B. Torque the screws to 10 lb-in. min. or until the gasket on back of the converter box is compressed. Re-attach the driver/plate assembly to the converter box and make the supply wire connections. Check that the supply voltage is consistent with the ballast.

6) Re-attach the tether cable to the converter box cover.

7) Re-attach the driver box cover/arm/fixture assembly to the converter box. Tighten the 4 screws equally.

8) Loosen (and re-tighten) these 2 socket head screws for rotation of the fixture about the vertical axis.

9) Loosen (and re-tighten) this screw for rotation of the fixture about the horizontal axis.



2)



4)



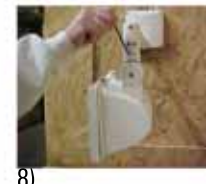
5)



6)



7)



8)



9)

Lamp Replacement and Maintenance:

Do not open luminaire while in operation or while mains supply is switched on!

1. Switch off the electrical supply.
2. Open luminaire and clean all exterior surfaces.
3. Replace whole LED printed circuit board (**Installer must be properly grounded and familiar with ESD damage prevention methods**).
4. Check gasket for dirt and damage and clean or replace if necessary.
5. Close luminaire.

Protect our environment: Discard used lamps in compliance with the most recent environmental legislation.