

we-ef

www.we-ef.com

WE-EF LEUCHTEN

Germany

Tel +49 5194 909 0

Fax +49 5194 909 299

info.germany@we-ef.com

WE-EF LUMIERE

France

Tel +33 4 74 99 14 44

Fax +33 4 74 99 14 40

info.france@we-ef.com

WE-EF HELVETICA

Switzerland

Tel +41 22 752 49 94

Fax +41 22 752 49 74

info.switzerland@we-ef.com

WE-EF LIGHTING

United Kingdom

Tel +44 844 880 5346

Fax +44 844 880 5347

info.uk@we-ef.com

WE-EF LIGHTING

Thailand

Tel +66 2 738 9610

Fax +66 2 175 2174

info.asiapacific@we-ef.com

WE-EF LIGHTING

Australia

Tel +61 3 8587 0444

Fax +61 3 8587 0499

info.australia@we-ef.com

WE-EF LIGHTING

United States of America

Tel +1 724 742 0030

Fax +1 724 742 0035

info.usa@we-ef.com

Safety indices

The manufacturer is then discharged from liability when damage is caused by improper use or installation.

If any luminaire and/or accessory is subsequently modified, the persons responsible for the modification shall be considered as manufacturer.

PFL540-LED_010917 / 006-1052

Technical specifications are subject to change.

© WE-EF 2017

we-ef



WE-EF LEUCHTEN

Installation and
Maintenance Instructions for
Post Mounted Luminaire
PFL540 LED

Post Mounted Luminaires

Lamps

24 LED 55W / 36 LED 82W / 48 LED 109W (700 mA)

24 LED 72W / 36 LED 108W / 48 LED 144W (1000 mA)

3000K / 4000K / 5000K

Protection: IP66

Class I, II ▽, $t_a = 25^\circ\text{C}$

Mounting height: 3-6 m

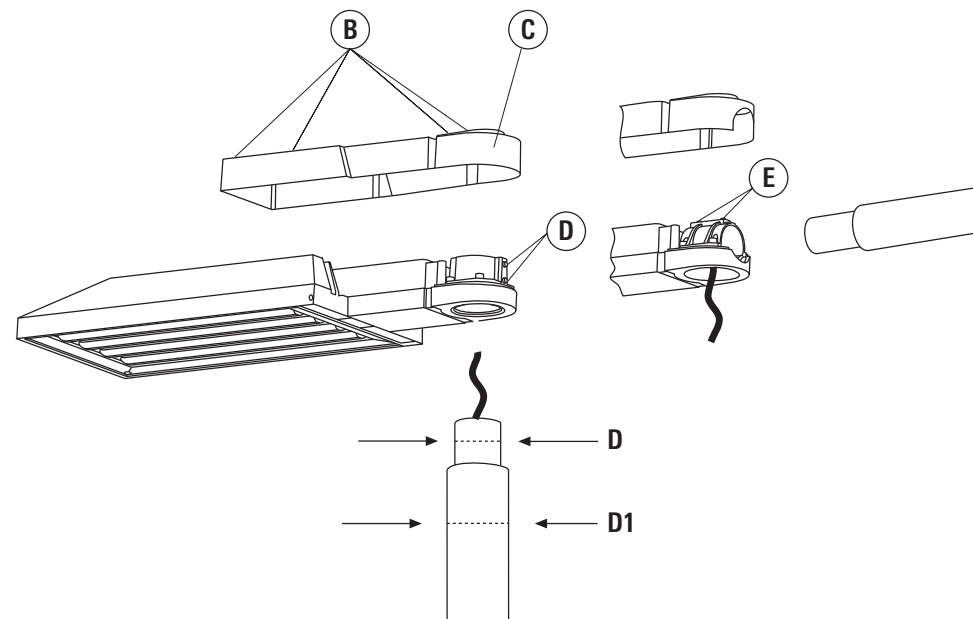
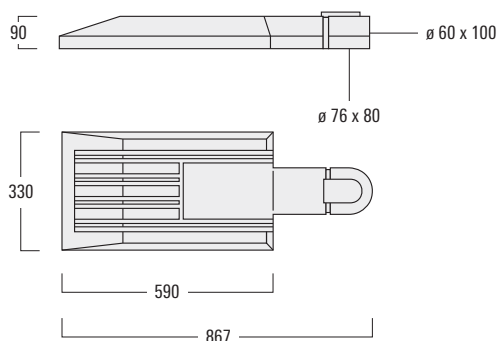
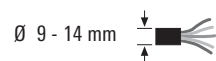
Weight: max. 15,0 kg

Windage area: max. 0,23 m²

Installation: horizontal, light output downwards,

optional, for pole spigot **D** = 60 x 100 mm or

for pole spigot **D** = 76 x 80 mm



Installation

The luminaire must be installed and maintained by a suitably qualified person in compliance with latest construction and electrical regulations and relevant legislation.

⚡ Attention: Dangerous voltage, open luminaire only after mains electrical supply is switched off!

In case of questions please contact our technical hotline: +61 3 8587 0444 (from Monday - Friday from 08.00 until 16.00 hours).

Installation Procedure

Luminaire prewired, do not open!

- 1) Switch off the mains electrical supply. ⚡
- 2) **B** shows the setting III for a cable diameter of 9-10 mm.

- 3) Loosen screws **D** and take off cover **C**. Pull connecting cable through the pole. Feed power cable down pole to termination door. Place luminaire onto the pole. accretion and tighten the fixing screws **D** resp. **E** of the luminaire with a tightening torque of 5 Nm. Replace cover **C** and tighten screws **B**. Terminate luminaire.

- 4) **Removal**
Switch off the mains electrical supply. ⚡
Remove is the reverse of the above procedure.

Maintenance

Apart from cleaning the outside of the luminaire no special maintenance work is necessary.