



WE-EF LIGHTING USA LLC

410-D Keystone Drive
Warrendale, PA 15086
USA
Tel +1 724 742 0030
Fax +1 724 742 0035
info.usa@we-ef.com
www.we-ef.com

Technical specifications are subject to change
© WE-EF 2013



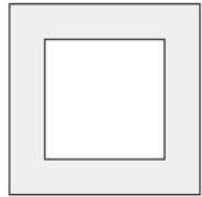
WE-EF LIGHTING USA LLC

Installation and Maintenance
Instructions for Recessed Wall Luminaires
QRL359 / QR0359 / QRI354

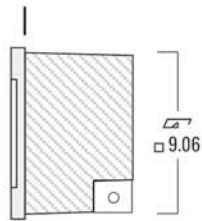


**Installation and Maintenance
Instructions for Recessed
Wall luminaires series:**

**QRL359 / QR0359 / QRI354
QRL359 LED / QR0359 LED / QRI354 LED**



∅ 10.31



0.98

Light source:

CMH 39W
LED 6W

This product should be installed in accordance with the applicable installation code by a person familiar with the construction and operation of the product and the hazards involved. Be sure the electrical supply is off prior to installation.

Do not install insulation within 3" of any part of the luminaire.

1. Gain access to the mounting holes and junction box B by removing the fasteners for diffuser frame E, cover plate D and thermal protector plate C.

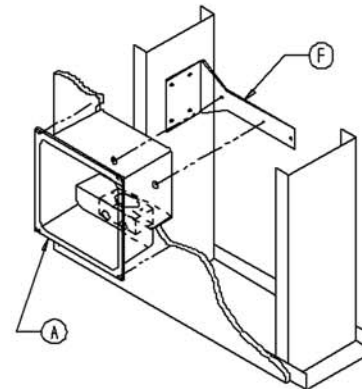
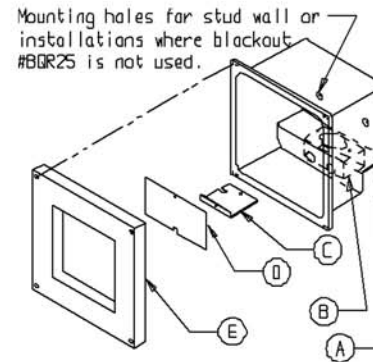
2. Mount body A to structure or previously installed blackout #BQR25, as determined by field conditions.

3. Be sure the power supply conforms with the ratings marked on the luminaire. Feed supply wiring into junction box B, make the electrical connections to the ballast leads and thermal protector (when provided) and stuff the connections and supply wire into junction box B.

4. For HID fixtures only: Attach thermal protector plate C to the gear tray with the screw provided to isolate the supply wiring from body A.

5. Re-attach cover plate D to the gear tray and install the appropriate lamp.

6. Re-attach diffuser frame E to body A, along with the diffuser. Be sure to tighten the screws for diffuser frame E evenly.



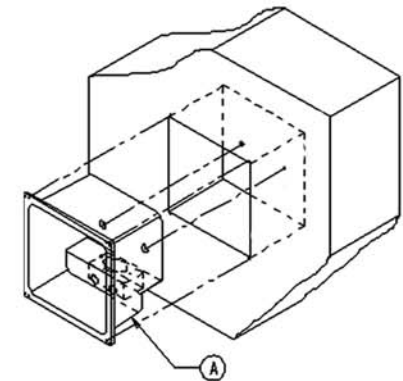
Mounting for stud wall construction:

Attach mounting bracket F to stud wall with fasteners supplied by others. Attach housing A to mounting bracket F with screws supplied with mounting bracket. Insure fixture flange will be even with finished wall surface.

Lamp Replacement and Maintenance:

Do not open luminaire while in operation or while mains supply is switched on!

1. Switch off the power supply.
2. Remove diffuser frame. Clean all exterior surfaces and check for damage.
3. Replace lamp (for LED replacement, the whole LED gear tray needs to be replaced).
4. Re-attach diffuser frame and secure in position by evenly tightening the socket screws.



Mounting for concrete and masonry:

Recess (9.12" x 9.12" x 6.12" deep) formed by masonry or concrete contractor, or use WE-EF BLOCKOUT #BQR25 installed per the #BQR25 installation instructions.



WE-EF LIGHTING USA LLC

410-D Keystone Drive
Warrendale, PA 15086
USA
Tel +1 724 742 0030
Fax +1 724 742 0035
info.usa@we-ef.com
www.we-ef.com

Technical specifications are subject to change
© WE-EF 2013



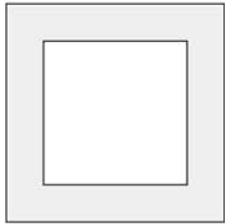
WE-EF LIGHTING USA LLC

Installation and Maintenance
Instructions for Recessed Wall Luminaires
QRL379 / QR0379 / QRI374

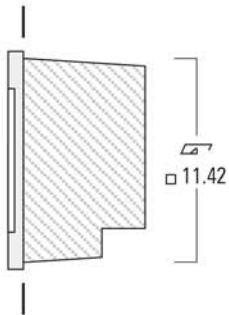


**Installation and Maintenance
Instructions for
Recessed Wall luminaires series:**

**ORL379 / QRL 379 LED
OR0379 / QRO 379 LED
ORI374 / QRI 374 LED**



□ 12.68



□ 11.42

5.91
0.98

Light source:

CMH 70 - 100W
CFM 42
LED 12W

This product should be installed in accordance with the applicable installation code by a person familiar with the construction and operation of the product and the hazards involved. Be sure the electrical supply is off prior to installation.

Do not install insulation within 3" of any part of the luminaire.

1. Gain access to the mounting holes and junction box B by removing the fasteners for diffuser frame E, cover plate D and thermal protector plate C.

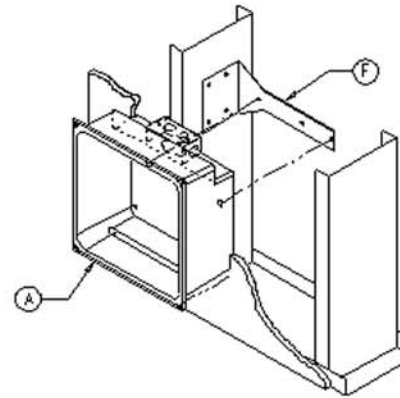
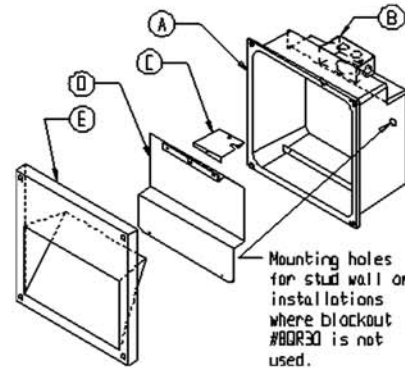
2. Mount body A to structure or previously installed blackout #BQR30, as determined by field conditions.

3. Be sure the power supply conforms with the ratings marked on the luminaire. Feed supply wiring into junction box B, make the electrical connections to the ballast leads and thermal protector (when provided) and stuff the connections and supply wire into junction box B.

4. For HID fixtures only: Attach thermal protector plate C to the gear tray with the screw provided to isolate the supply wiring from body A.

5. Re-attach cover plate D to the gear tray and install the appropriate lamp.

6. Re-attach diffuser frame E to body A, along with the diffuser. Be sure to tighten the screws for diffuser frame E evenly.



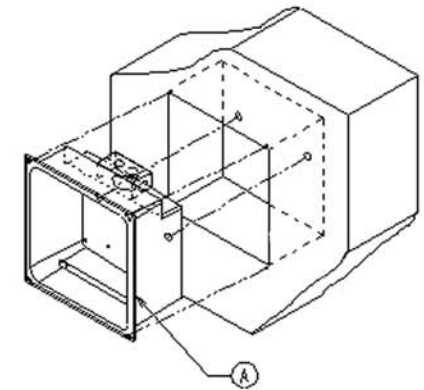
Mounting for stud wall construction:

Attach mounting bracket F to stud wall with fasteners supplied by others. Attach housing A to mounting bracket F with screws supplied with mounting bracket. Insure fixture flange will be even with finished wall surface.

Lamp Replacement and Maintenance:

Do not open luminaire while in operation or while mains supply is switched on!

1. Switch off the power supply.
2. Remove diffuser frame. Clean all exterior surfaces and check for damage.
3. Replace lamp (for LED replacement, the whole LED gear tray needs to be replaced).
4. Re-attach diffuser frame and secure in position by evenly tightening the socket screws.



Mounting for concrete and masonry:

Recess (11.5" x 11.5" x 6.12" deep) formed by masonry or concrete contractor, or use WE-EF BLOCKOUT #BQR30 installed per the #BQR30 installation instructions.