

**WE-EF LEUCHTEN**  
Installation and Maintenance  
Instructions

Street and Area Lighting Luminaire  
**RMT320 LED**



**Do not open during installation**

This product is factory-sealed.  
Refer to the instructions contained in this document for details.



**Surge Protection**

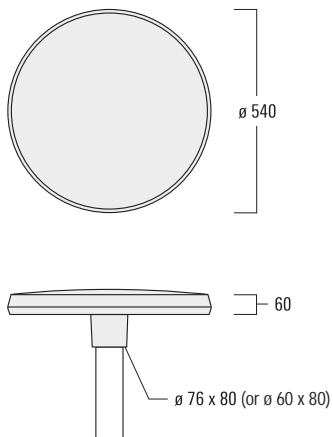
This product features built-in surge protection circuitry in compliance with applicable standards.  
For comprehensive protection of a luminaire installation against lightning and electrical surges, it is essential to cover mains supply and data input lines at the distribution board level, by using respective primary (Type 1) and secondary (Type 2) surge arrestors in compliance with EN61643-11/IEC61643-1.

**Warning**

Ensure that all required surge protection measures are in place and activated prior to luminaire installation. Also, disconnect luminaires before operating high-power devices such as, for example, electrical arc welders.

## Street and Area Lighting Luminaire

RMT320



IP66, IK09, Class I,  $t_a = 40^\circ\text{C}$

## Light Source

LED

## Maintenance

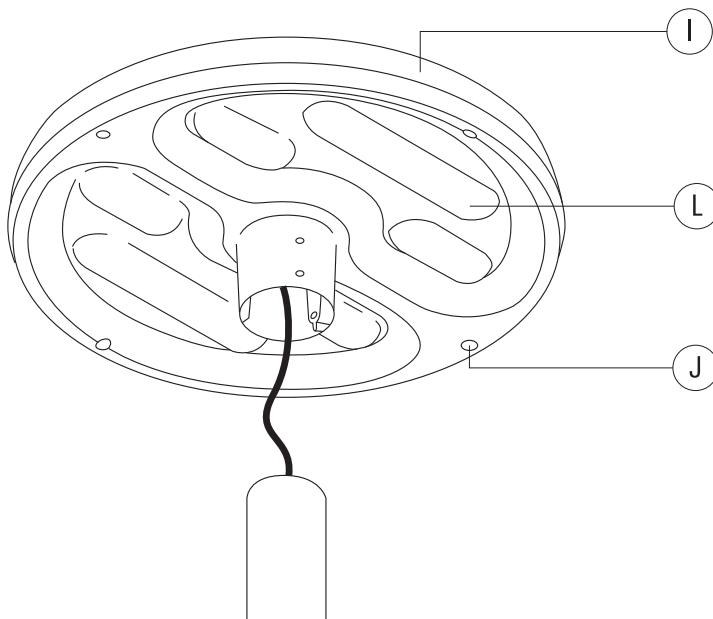
Apart from cleaning the product's exterior surfaces, no special maintenance work is required. Do not use high-pressure cleaners.

In case of component failure due to abnormal circumstances or at end of life, replacement must be carried out by a suitably qualified and trained professional.

Cover **I** can be removed after untightening screws **J**.

When replacing a damaged main lens **L**, tighten holding screws with torque wrench set at 1.0 Nm.

**Warning:** Do not open luminaire while mains supply is switched on.



## Installation

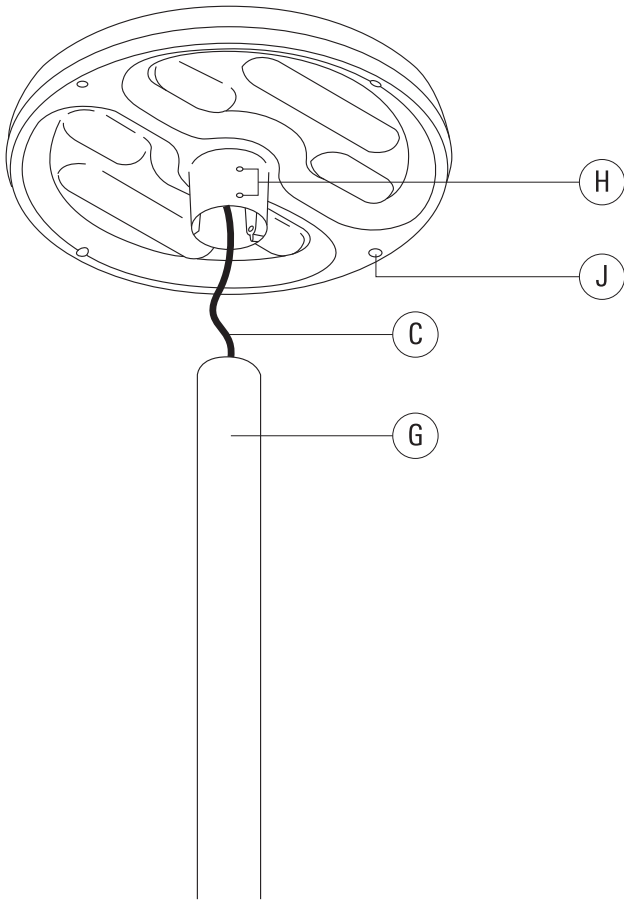
The product must be installed and maintained by a suitably qualified professional in compliance with latest building/construction and/or electrical regulations and relevant legislation.

**Warning:** Switch off mains electrical supply prior to installing and connecting the luminaire.

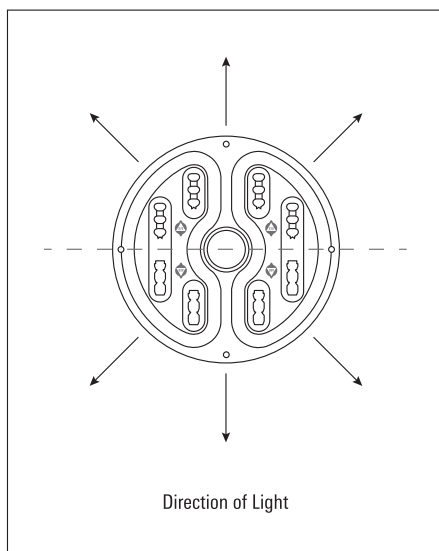
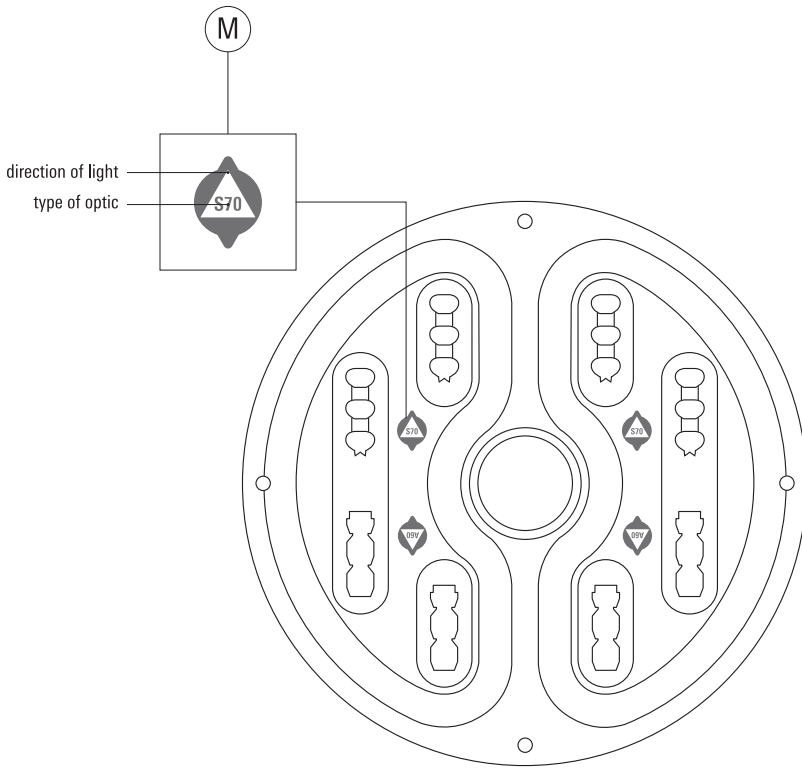
**Notice:** If the luminaire is modified by anybody other than the original manufacturer, then the warranty will no longer be valid and shall become the full responsibility of the modifying person/organisation. Claims based on defects attributable to improper installation and/or application, and the consequences thereof, are excluded.

## Installation Procedure

- 1) Switch off mains electrical supply.
- 2) Check that rating shown on luminaire label conforms with mains electrical supply.
- 3) Feed mains cable **C** into column **G**, while setting luminaire in position by following the orientation indicators **M**. Tighten all six screws **H**.
- 4) Trim mains cable **C** to the desired length and connect the leads to their respective terminals at the base of the pole:
  - a) ON/OFF or WE-EF Control Advanced (L = Phase, N = Neutral, ⊕ = Earthing)
  - b) ON/OFF 2-circuits (L1 = Phase 1, L2 = Phase 2, N = Neutral, ⊕ = Earthing)
  - c) WE-EF Control Basic (L = Phase, N = Neutral, ⊕ = Earthing, Ls = Switching Phase)
  - d) 1-10 V/DALI or WE-EF Control Dynamic (L = Phase, N = Neutral, ⊕ = Earthing, DA/DA = DALI control line, D-/D+ = 1-10 V control line).



Installation to a pole



**we-ef**

[www.we-ef.com](http://www.we-ef.com)

**WE-EF LEUCHTEN**

Germany

Tel +49 5194 909 0

Fax +49 5194 909 299

[info.germany@we-ef.com](mailto:info.germany@we-ef.com)

**WE-EF LIGHTING**

Thailand

Tel +66 2 738 9610

Fax +66 2 175 2174

[info.asiapacific@we-ef.com](mailto:info.asiapacific@we-ef.com)

**WE-EF LUMIERE**

France

Tel +33 4 74 99 14 44

Fax +33 4 74 99 14 40

[info.france@we-ef.com](mailto:info.france@we-ef.com)

**WE-EF LIGHTING**

Australia

Tel +61 3 8587 0444

Fax +61 3 8587 0499

[info.australia@we-ef.com](mailto:info.australia@we-ef.com)

**WE-EF HELVETICA**

Switzerland

Tel +41 22 752 49 94

Fax +41 22 752 49 74

[info.switzerland@we-ef.com](mailto:info.switzerland@we-ef.com)

**WE-EF LIGHTING**

United States of America

Tel +1 724 742 0030

Fax +1 724 742 0035

[info.usa@we-ef.com](mailto:info.usa@we-ef.com)

**WE-EF LIGHTING**

United Kingdom

Tel +44 844 880 5346

Fax +44 844 880 5347

[info.uk@we-ef.com](mailto:info.uk@we-ef.com)

T09202W0617 © WE-EF 2017

Technical specifications are  
subject to change.