

**we-ef**

**WE-EF LIGHTING USA LLC**

410-D Keystone Drive  
Warrendale, PA 15086  
USA  
Tel +1 724 742 0030  
Fax +1 724 742 0035  
info.usa@we-ef.com  
www.we-ef.com

**we-ef**

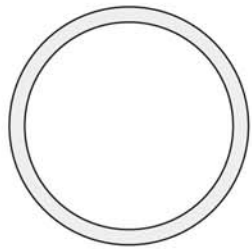
**WE-EF LIGHTING USA LLC**

Installation and Maintenance  
Instructions for Recessed Wall Luminaires  
**TRO259 / TRS259 / TRL259**

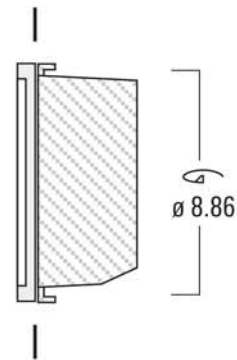


**Installation and Maintenance  
Instructions for Recessed  
Wall luminaires series:**

**TRO259 / TRS259 / TRL259  
TRO259 LED / TRS259 LED / TRL259 LED**



∅ 10.31



∅ 8.86

3.74  
0.98

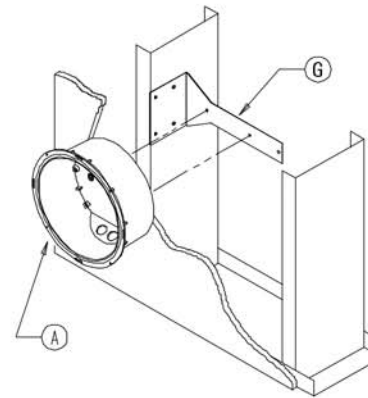
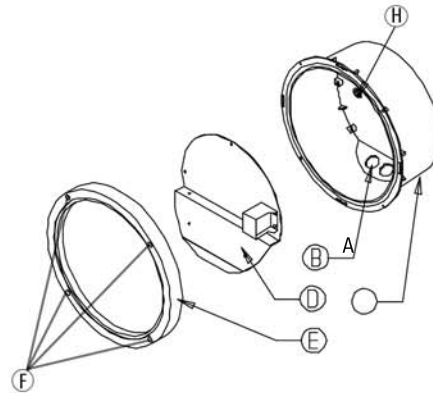
**Light source:**

**CFQ 18 - 26W  
LED 6W**

This product should be installed in accordance with the applicable installation code by a person familiar with the construction and operation of the product and the hazards involved. Be sure the electrical supply is off prior to installation.

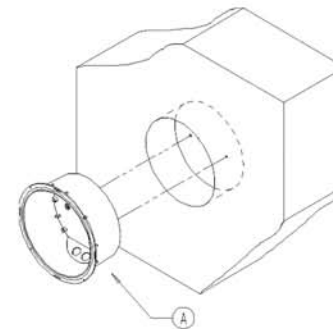
**Do not install insulation within 3" of any part of the luminaire.**

1. Gain access to the mounting holes H and conduit entry B by removing the fasteners F, diffuser frame E, cover plate D.
2. Mount body A to structure or previously installed blockout #BTR25, as determined by field conditions.
3. Be sure the power supply conforms with the ratings marked on the luminaire. Feed supply wiring into conduit entry B, make the electrical connections to the ballast leads.
4. Re-attach cover plate D to the gear tray and install the appropriate lamp.
5. Re-attach diffuser frame E to body A along with the diffuser. Be sure to tighten the fasteners F for diffuser frame E.



**Mounting for stud wall construction:**

Attach mounting bracket G to stud wall with fasteners supplied by others. Attach housing A to mounting bracket G with screws supplied with mounting bracket. Insure fixture flange will be even with finished wall surface.



**Mounting for concrete and masonry:**

Recess (9.12" DIA. x 3.75" deep) formed by masonry or concrete contractor, or use WE-EF BLOCKOUT #BTR25 installed per the #BTR25 installation instructions.

**Lamp Replacement and Maintenance:**

Do not open luminaire while in operation or while mains supply is switched on!

1. Switch off the power supply.
2. Remove diffuser frame. Clean all exterior surfaces and check for damage.
3. Replace lamp (for LED replacement, the whole LED gear tray needs to be replaced).
4. Re-attach diffuser frame and secure in position by evenly tightening the socket screws.