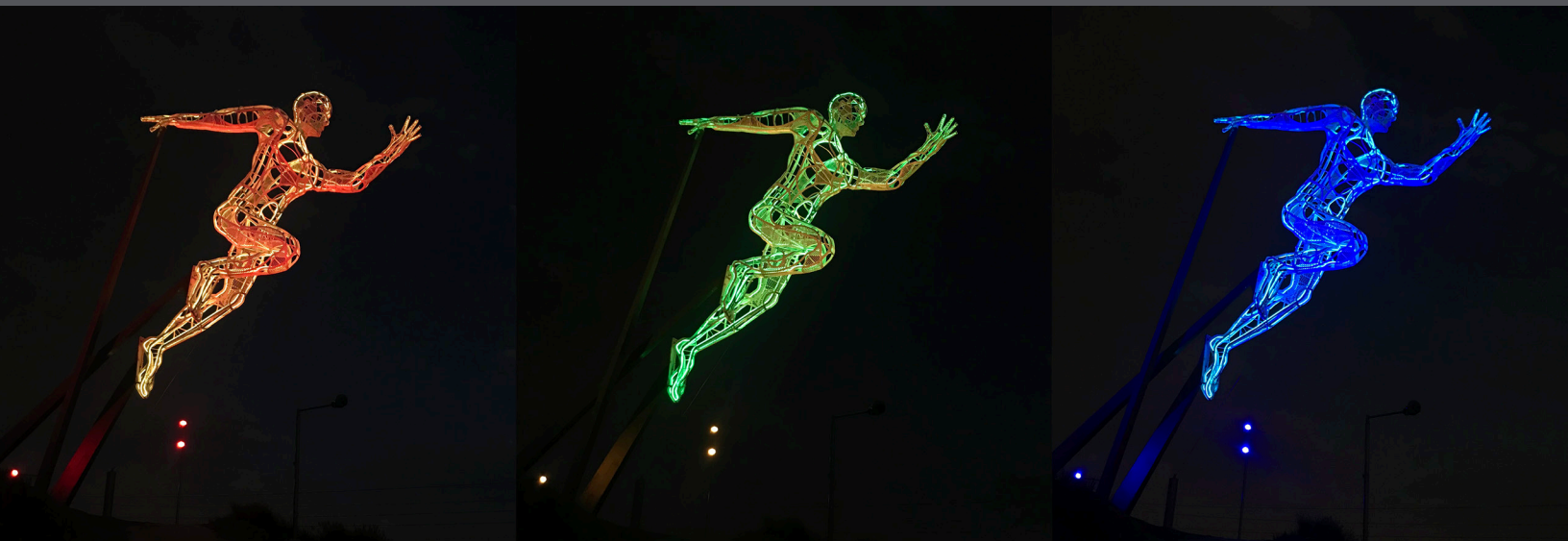


we-ef

WE-EF Lighting USA

LIGHTSPEED



Need Luminaires Fast?
Ask for LIGHTSPEED -
THE NEXT GENERATION OF QUICKSHIP
10-day dispatch guaranteed - or 25% back!

V2.1-20200129

Need Luminaires Fast? Ask for *LIGHTSPEED*

10-day dispatch guaranteed – or 25% back!

LIGHTSPEED OVERVIEW

- Need it fast? Ask for *LIGHTSPEED* – The next generation of Quickship.
- *LIGHTSPEED* guarantees 10-day dispatch on stocked products or 25% back on your order.
- *LIGHTSPEED* features 1300+ products from 80+ luminaire families, all available in four standard finishes.

WE-EF USA's MARKET PROMISE

To offer our channel partners a competitive advantage on more lighting projects, WE-EF LIGHTING USA, LLC (WE-EF USA) guarantees 2-week dispatch for *LIGHTSPEED* Orders from our Pittsburgh facility on all stocked products. In the event a *LIGHTSPEED* order does not ship within 10 business days (after receipt of a CLEAN PURCHASE ORDER – see below), WE-EF USA will refund 25% of the order.

Faster dispatch times are available upon request, speak to your Regional Sales Manager for pricing.

LEAD TIME GUARANTEE

A CLEAN PURCHASE ORDER received by 11am EST is guaranteed to be shipped within 10-business days on *LIGHTSPEED* orders. For orders received after the cutoff time of 11am EST, guaranteed dispatch time begins the following business day.

CLEAN PURCHASE ORDER

A CLEAN PURCHASE ORDER refers to standard, non-customized luminaires as outlined in this brochure. In order to process your order without delay, the following information must be provided with order or emailed directly to Orders.USA@we-ef.com:

- Project Name
- Product ID, Description/Light Source, Voltage, STANDARD FINISH/Color, and Other Details
- Contact Name and Shipping Address
- Ship by Date
- Specifier, Lighting Designer, Architect, and or Engineer
- Distributer's Purchase Order
- Sales Representative's Order Prep Work-up Sheet
- Special requirements or requests - if approved by WE-EF LIGHTING USA
- Purchase order MUST state "*LIGHTSPEED*"

FREE SHIPPING

WE-EF USA offers free ground shipping within the contiguous United States (lower 48). For Canada and Mexico orders over \$5,000 will qualify for free ground shipping. All other ground shipping will be charged freight collect and added to

the invoice. WE-EF USA also offers air freight upon request, charged as Freight Collect and added to the invoice. Duties, brokerage, tariffs, taxes or any other charges associated with international shipments to Canada, Mexico, or any other country outside of United States are to be paid by the customer. It is the customer's responsibility to pre-assign a broker to handle all customs paperwork for border crossing at the time of order placement.

QUANTITY LIMIT

Unless otherwise indicated, order limit per product subfamily is 30 fixtures. Shipments for split orders with a total quantity greater than 30 fixtures per product subfamily are not guaranteed; quantities are based on available stock.

STANDARD FINISH

STANDARD FINISH colors for *LIGHTSPEED* fixtures are Black RAL9004, White RAL9016, Grey Metallic RAL9007, and Dark Bronze RAL8019. Other color options available outside the *LIGHTSPEED* program.

STANDARD WARRANTY

All WE-EF USA fixtures listed in this brochure come with a standard 5-year limited warranty, covering mechanical and electrical components including drivers. All other Product warranty terms and information applicable to WE-EF USA products remain unchanged and can be found on the WE-EF USA website at www.we-ef.com.

DISCLAIMER

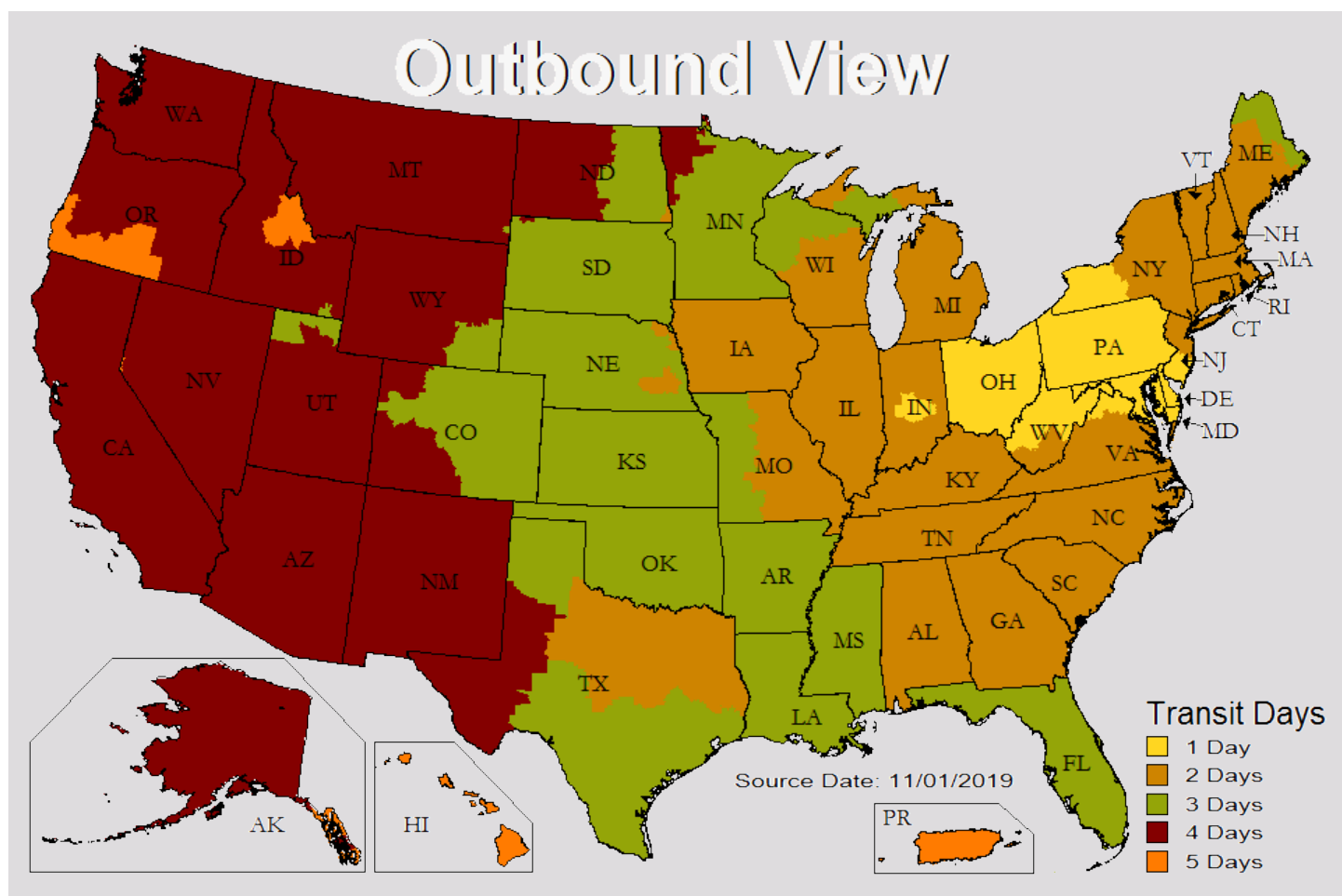
WE-EF LIGHTING USA, LLC (WE-EF USA) reserves the right to add, remove or modify terms of this promotion without prior notice. WE-EF USA cannot be held accountable for delays due to shipping, freight, or for any other circumstances that are beyond our control. Lead time guarantee based on product availability. All claims and statements made in this document are related only to the specific *LIGHTSPEED* program and products contained in this offer and do not apply to other orders, shipments, or Terms & Conditions of WE-EF USA. Cannot be used with other offers, discounts or promo codes. Cannot be applied to past purchases. Other restrictions may apply.

Time to Destination Transit Times

UPS TRANSIT TIMES

WE-EF USA ships via our partner United Parcel Service (UPS). For every shipment, you will receive an email notification which includes the date the order was shipped, scheduled delivery time and a real-time tracking link.

The shipping cost is determined by the weight of your order and the destination. The following map shows the estimated transit time across the United States when selecting UPS ground:



DISCLAIMER

Subject to the Tariff/Terms and Conditions of Service, UPS guarantees on-schedule delivery of packages, shipped via UPS's services, that are listed as guaranteed, or will refund your transportation charges. Guaranteed Service is not available in all areas and does not apply to shipments containing a package with an Additional Handling or Large Package surcharge. Scheduled business days and delivery schedules are revised occasionally due to changes in distribution and volume, especially during holiday periods. Service to some remote areas also may require additional delivery days. For current delivery schedules, service availability and information, and a description of the UPS service Guarantee, see the UPS Rate and Service Guide. The most up-to-date transit time details will be available at ups.com/ctc at the time of shipping. Certain commodities and high value shipments may require additional transit time for customs clearance.


















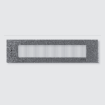





TABLE OF CONTENTS

PRODUCTS

INGROUND LUMINAIRES

										
ETC110-3 pg 6	ETC120-GB pg 6	ETC130-GB pg 6	ETC140-GB pg 7	ETC320-FS pg 8	ETC330-FS pg 8	ETC340_FS pg 8	ETC330-GB pg 9	ETV110 pg 9	ETV120 pg 10	ETV130 pg 10
										
ETV140 pg 11										

RECESSED WALL LUMINAIRES

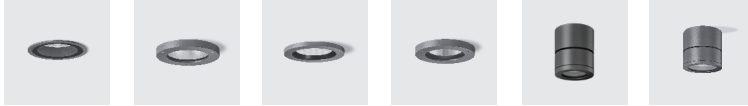
										
SVO259 pg 12	SVL259 pg 12	STN204 pg 12	STN254 pg 12	STG209 pg 12	STG259 pg 13	STX209 pg 13	STX259 pg 13	STL209 pg 13	STL259 pg 13	STP204 pg 14
										
STP254 pg 14	STO209 pg 14	STO259 pg 14	STO279 pg 15	STI259 pg 15	STI279 pg 15	STO134 pg 15	STL134 pg 16	STI134 pg 16	SVL134 pg 16	QRI 354 pg 16
										
QRI 374 pg 16										

SURFACE MOUNTED WALL LUMINAIRES

										
QLS410 pg 17	QLS420 pg 18	VLS410 pg 19	VLS420 pg 20	SLS410 pg 21	SLS420 pg 22	OLV330 pg 23	OLV334 pg 23	OLV340 pg 24	OLV344 pg 24	DLO229 pg 24
										
DLG229 pg 24	DLS229 pg 25	DLB229 pg 25	FLC122 pg 25	FLC142 pg 25						

TABLE OF CONTENTS

CEILING LUMINAIRES



DOC110 pg 26 DOC220 pg 26 DOC240 pg 26 DOC220-FT pg 27 DAC220 pg 27 DAC240 pg 27

BOLLARD & PATHWAY LUMINAIRES



KTY234 pg 28 PSY414 pg 28 PSY424 pg 28

STREET & AREA LIGHTING



PFL540 pg 30 VFL520 pg 32 VFL530 pg 32 VFL540 pg 34

SYMMETRICAL FLOODLIGHTS



FLC121 pg 36 FLC131 pg 36 FLC141 pg 37 FLC121 with Wall Bracket pg 37 FLC131 with Wall Bracket pg 38 FLC141 with Wall Bracket pg 38 FLD111 pg 39 FLC220 pg 39 FLC230 pg 40 FLC240 pg 41 FLC260 pg 42



FLC220-CC pg 43 FLC230-CC pg 43 FLC240-CC pg 43 FLC260-CC pg 44

PROJECTORS



FLC220 pg 45 FLC230 pg 45

INGROUND LUMINAIRES

[Return to Table of Contents](#)

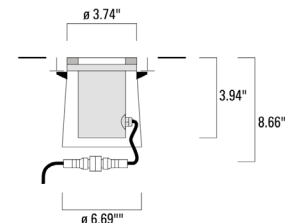
ETC110-3 LED

IP67. 12 Volt AC. LED Inground uplight. Suitable for flush installation in concrete or earth. Special effects and distributions can be realized with linear lens or flood lens. 120-12V AC Class 2 power supply, sold separately.

PRODUCT ID	LIGHT SOURCE	KELVIN	OPTIC	DELIVERED LUMENS
611-1120	ETC110 [VNS] 3 LED/ 3 W	3000	12°	314
611-1121	ETC110 [VNS] 3 LED/ 3 W	4000	12°	314
611-1220	ETC110 [VN] 3 LED/ 3 W	3000	15°	314
611-1221	ETC110 [VN] 3 LED/ 3 W	4000	15°	314
611-1320	ETC110 [M] 3 LED/ 3 W	3000	42°	307
611-1321	ETC110 [M] 3 LED/ 3 W	4000	42°	307

Accessories

611-8110	Reduced depth installation blackout concrete pour applications
611-8116	ETC110 Linear spread lens (IO-180) [4.33" Tall, 9.45" Diameter base]
611-8117	ETC110 Flood Lens (IO-360)
697-8060	Remote mounted transformer. 120 V – 12V AC. 24.0 W max. Class 2.



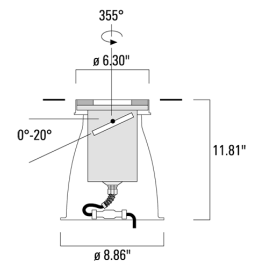
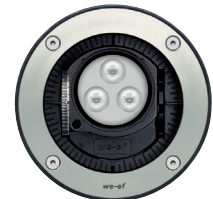
ETC120-GB LED

IP67. Inground LED uplight. Suitable for flush installation in concrete or earth. Drive Over Rated. Offset gimbal mounted lamp module, with lockable aiming, 30° vertical tilt, and 360° horizontal rotation. Special effects can be realized with linear lens, flood lens, or color filters. 120-277V.

PRODUCT ID	LIGHT SOURCE	KELVIN	OPTIC	DELIVERED LUMENS
611-2224	ETC120-GB [VNS] 3 LED/ 6 W	3000	11°	594
611-2225	ETC120-GB [VNS] 3 LED/ 6 W	4000	11°	594
611-2222	ETC120-GB [VN] 3 LED/ 6 W	3000	15°	592
611-2223	ETC120-GB [VN] 3 LED/ 6 W	4000	15°	592
611-2220	ETC120-GB [M] 3 LED/ 6 W	3000	42°	591
611-2221	ETC120-GB [M] 3 LED/ 6 W	4000	42°	591
611-2230	ETC120-GB [VNS] ASC 3 LED/ 6 W	3000	11°	505
611-2231	ETC120-GB [VNS] ASC 3 LED/ 6 W	4000	11°	505
611-2228	ETC120-GB [VN] ASC 3 LED/ 6 W	3000	15°	504
611-2229	ETC120-GB [VN] ASC 3 LED/ 6 W	4000	15°	504
611-2226	ETC120-GB [M] ASC 3 LED/ 6 W	3000	42°	502
611-2227	ETC120-GB [M] ASC 3 LED/ 6 W	4000	42°	502

Accessories

611-8027	Flood lens IO-360
611-8028	Linear spread lens IO-180
611-8224	Honeycomb louver IW



ETC130-GB LED

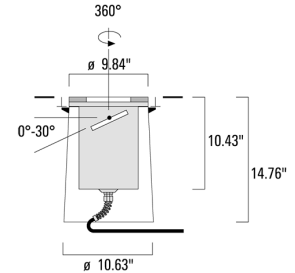
IP67. Inground LED uplight. Suitable for flush installation in concrete or earth. Drive Over Rated. Offset gimbal mounted lamp module, with lockable aiming, 30° vertical tilt, and 360° horizontal rotation. Special effects can be realized with linear lens, flood lens, or color filters. 120-277V.

PRODUCT ID	LIGHT SOURCE	KELVIN	OPTIC	DELIVERED LUMENS
611-3034	ETC130-GB [VNS] 12 LED/ 18 W	3000	11°	1932
611-3035	ETC130-GB [VNS] 12 LED/ 18 W	4000	11°	1932
611-3014	ETC130-GB [VN] 12 LED/ 18 W	3000	15°	1816
611-3015	ETC130-GB [VN] 12 LED/ 18 W	4000	15°	1816
611-3020	ETC130-GB [M] 12 LED/ 18 W	3000	32°	1924
611-3021	ETC130-GB [M] 12 LED/ 18 W	4000	32°	1924
611-3040	ETC130-GB [W] 12 LED/ 18 W	3000	49°	1676
611-3041	ETC130-GB [W] 12 LED/ 18 W	4000	49°	1676
611-3046	ETC130-GB [WW] 12 LED/ 18 W	3000	20° Wall Wash	1549



INGROUND LUMINAIRES Return to Table of Contents

PRODUCT ID	LIGHT SOURCE	KELVIN	OPTIC	DELIVERED LUMENS
611-3047	ETC130-GB [WW] 12 LED/ 18 W	4000	20° Wall Wash	1549
611-3134	ETC130-GB [VNS] ASC 12 LED/ 18 W	3000	11°	1697
611-3135	ETC130-GB [VNS] ASC 12 LED/ 18 W	4000	11°	1697
611-3114	ETC130-GB [VN] ASC 12 LED/ 18 W	3000	15°	1586
611-3115	ETC130-GB [VN] ASC 12 LED/ 18 W	4000	15°	1586
611-3120	ETC130-GB [M] ASC 12 LED/ 18 W	3000	32°	1650
611-3121	ETC130-GB [M] ASC 12 LED/ 18 W	4000	32°	1650
611-3140	ETC130-GB [W] ASC 12 LED/ 18 W	3000	49°	1457
611-3141	ETC130-GB [W] ASC 12 LED/ 18 W	4000	49°	1457



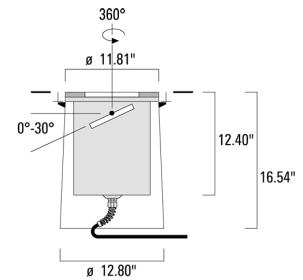
Accessories

611-8036	Honeycomb louver IW (*not suitable for [W] beam distribution)
611-8037	Flood lens IO-360
611-8038	Linear spread lens IO-180

ETC140-GB LED

IP67. Inground LED uplight. Suitable for flush installation in concrete or earth. Drive Over Rated. Offset gimbal mounted lamp module, with lockable aiming, 30° vertical tilt, and 360° horizontal rotation. Special effects can be realized with linear lens, flood lens, or color filters. 120-277V.

PRODUCT ID	LIGHT SOURCE	KELVIN	OPTIC	DELIVERED LUMENS
611-4004	ETC140-GB [VNS] 24 LED/ 24 W	3000	10°	3014
611-4005	ETC140-GB [VNS] 24 LED/ 24 W	4000	10°	3014
611-4014	ETC140-GB [VN] 24 LED/ 24 W	3000	15°	2777
611-4015	ETC140-GB [VN] 24 LED/ 24 W	4000	15°	2777
611-4020	ETC140-GB [M] 24 LED/ 24 W	3000	32°	2842
611-4021	ETC140-GB [M] 24 LED/ 24 W	4000	32°	2842
611-4034	ETC140-GB [W] 24 LED/ 24 W	3000	48°	2530
611-4035	ETC140-GB [W] 24 LED/ 24 W	4000	48°	2530
611-4026	ETC140-GB [WW] 24 LED/ 24 W	3000	20° Wall Wash	2188
611-4027	ETC140-GB [WW] 24 LED/ 24 W	4000	20° Wall Wash	2188
611-4104	ETC140-GB [VNS] ASC 24 LED/ 24 W	3000	10°	2670
611-4105	ETC140-GB [VNS] ASC 24 LED/ 24 W	4000	10°	2670
611-4114	ETC140-GB [VN] ASC 24 LED/ 24 W	3000	15°	2451
611-4115	ETC140-GB [VN] ASC 24 LED/ 24 W	4000	15°	2451
611-4120	ETC140-GB [M] ASC 24 LED/ 24 W	3000	32°	2459
611-4121	ETC140-GB [M] ASC 24 LED/ 24 W	4000	32°	2459
611-4134	ETC140-GB [W] ASC 24 LED/ 24 W	3000	48°	2192
611-4135	ETC140-GB [W] ASC 24 LED/ 24 W	4000	48°	2192



Accessories

611-8046	Honeycomb louver IW (*not suitable for [W] beam distribution)
611-8047	Flood lens IO-360
611-8048	Linear spread lens IO-180

INGROUND LUMINAIRES

[Return to Table of Contents](#)

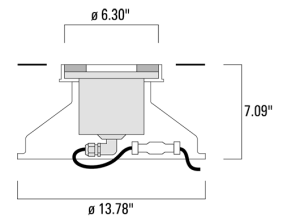
ETC320-FS LED

IP67. Inground uplight. Suitable for flush installation in concrete or earth. Special effects and distributions can be realized with linear lens, flood lens, 20° wall wash lens, or color filters. 120-277V.

PRODUCT ID	LIGHT SOURCE	KELVIN	OPTIC	DELIVERED LUMENS
611-2320	ETC320-FS [VNS] 6 LED/ 12 W	3000	10°	1378
611-2321	ETC320-FS [VNS] 6 LED/ 12 W	4000	10°	1378
611-2323	ETC320-FS [VN] 6 LED/ 12 W	3000	15°	1270
611-2324	ETC320-FS [VN] 6 LED/ 12 W	4000	15°	1270
611-2326	ETC320-FS [M] 6 LED/ 12 W	3000	32°	1299
611-2327	ETC320-FS [M] 6 LED/ 12 W	4000	32°	1299
611-2329	ETC320-FS [W] 6 LED/ 12 W	3000	48°	1157
611-2330	ETC320-FS [W] 6 LED/ 12 W	4000	48°	1157

Accessories

611-7202	ASC Anti-Slip Coating Lens
611-7205	Wall Wash IO-20 Lens for symmetrical [M] Medium Beam Only
611-7208	IO-360 Flood Lens
611-7211	IO-180 Linear Spread Lens
665-8232	Honeycomb louver IW (*not suitable for [W] beam distribution)



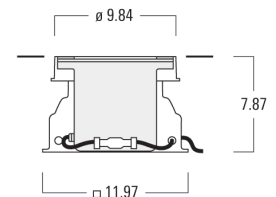
ETC330-FS LED

IP67. Inground uplight. Suitable for flush installation in concrete or earth. Special effects and distributions can be realized with linear lens, flood lens, 6° directional lens, 20° directional lens, or color filters. 120-277V.

PRODUCT ID	LIGHT SOURCE	KELVIN	OPTIC	DELIVERED LUMENS
611-3820	ETC330-FS [VNS] 12 LED/ 24 W	3000	10°	2572
611-3821	ETC330-FS [VNS] 12 LED/ 24 W	4000	10°	2572
611-3823	ETC330-FS [VN] 12 LED/ 24 W	3000	15°	2417
611-3824	ETC330-FS [VN] 12 LED/ 24 W	4000	15°	2417
611-3826	ETC330-FS [M] 12 LED/ 24 W	3000	29°	2561
611-3827	ETC330-FS [M] 12 LED/ 24 W	4000	29°	2435
611-3829	ETC330-FS [W] 12 LED/ 24 W	3000	49°	2231
611-3830	ETC330-FS [W] 12 LED/ 24 W	4000	49°	2231

Accessories

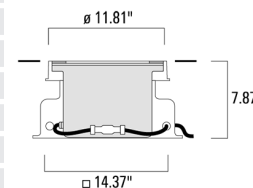
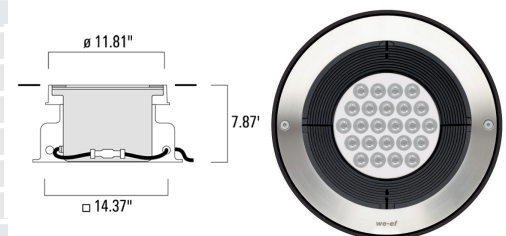
611-7203	ASC Anti-Slip Coating Lens
630-8150	Wallwash lens IO-20 for symmetric [M] medium beam luminaire only
611-7212	IO-180 Linear Spread Lens



ETC340-FS LED

IP67. Inground uplight. Suitable for flush installation in concrete or earth. Special effects and distributions can be realized with linear lens, flood lens, 6° directional lens, 20° directional lens, or color filters. 120-277V.

PRODUCT ID	LIGHT SOURCE	KELVIN	OPTIC	DELIVERED LUMENS
611-4220	ETC340-FS [VNS] 24 LED/ 36 W	3000	10°	4141
611-4221	ETC340-FS [VNS] 24 LED/ 36 W	4000	10°	4141
611-4223	ETC340-FS [VN] 24 LED/ 36 W	3000	15°	3816
611-4224	ETC340-FS [VN] 24 LED/ 36 W	4000	15°	3816
611-4226	ETC340-FS [M] 24 LED/ 36 W	3000	29°	3904
611-4227	ETC340-FS [M] 24 LED/ 36 W	4000	29°	3904
611-4229	ETC340-FS [W] 24 LED/ 36 W	3000	49°	3475
611-4230	ETC340-FS [W] 24 LED/ 36 W	4000	49°	3475



INGROUND LUMINAIRES Return to Table of Contents

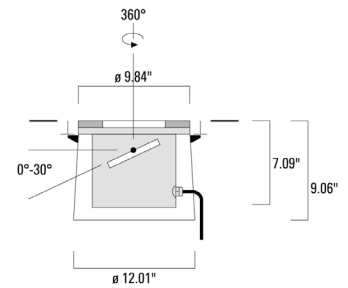
Accessories

611-7204	ASC Anti-Slip Coating Lens
611-7207	Wall Wash IO-20 Lens for symmetrical [M] Medium Beam Only
611-7213	IO-180 Linear Spread Lens

ETC330-GB LED

IP67. Inground LED uplight. Suitable for flush installation in concrete or earth. Offset gimbal mounted lamp module, with lockable aiming, 30° vertical tilt, and 360° horizontal rotation. Special effects can be realized with linear lens, flood lens, or color filters. 120-277V.

PRODUCT ID	LIGHT SOURCE	KELVIN	OPTIC	DELIVERED LUMENS
611-3240	ETC330-GB [VNS] 12 LED/ 12 W	3000	11°	1407
611-3241	ETC330-GB [VNS] 12 LED/ 12 W	4000	11°	1407
611-3220	ETC330-GB [VN] 12 LED/ 12 W	3000	15°	1322
611-3221	ETC330-GB [VN] 12 LED/ 12 W	4000	15°	1322
611-3226	ETC330-GB [M] 12 LED/ 12 W	3000	32°	1401
611-3227	ETC330-GB [M] 12 LED/ 12 W	4000	32°	1401
611-3246	ETC330-GB [W] 12 LED/ 12 W	3000	49°	1220
611-3247	ETC330-GB [W] 12 LED/ 12 W	4000	49°	1220
611-3252	ETC330-GB [WW] 12 LED/ 12 W	3000	20° Wall Wash	1128
611-3253	ETC330-GB [WW] 12 LED/ 12 W	4000	20° Wall Wash	1128
611-3340	ETC330-GB [VNS] ASC 12 LED/ 12 W	3000	11°	1235
611-3341	ETC330-GB [VNS] ASC 12 LED/ 12 W	4000	11°	1235
611-3320	ETC330-GB [VN] ASC 12 LED/ 12 W	3000	15°	1155
611-3321	ETC330-GB [VN] ASC 12 LED/ 12 W	4000	15°	1155
611-3346	ETC330-GB [W] ASC 12 LED/ 12 W	3000	49°	1061
611-3347	ETC330-GB [W] ASC 12 LED/ 12 W	4000	49°	1061



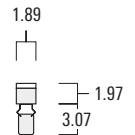
Accessories

611-8036	Honeycomb louver IW (*not suitable for [W] beam distribution)
611-8037	Flood lens IO-360
611-8038	IO-180 Linear Spread Lens

ETV110 LED *LIGHTSPEED AVAILABLE JUNE 2020

IP67, Class I. IK08. Marine-grade all aluminium construction. Anodized aluminium extrusion. PCS hardware. Silicone rubber gasket. Safety glass lens; max. load 5 tonnes. Luminaire can be driven over at low speed. Factory-sealed termination chamber complete with cable gland and 0.5 m of flexible cable. Linear PMMA LED lens. Factory installed LED circuit board. LED boards can be easily removed for upgrading. Luminaire is factory-sealed and does not need to be opened during installation. The installation blockout to be ordered separately. ETV 110 length is 12". 120-277V.

PRODUCT ID	LIGHT SOURCE	KELVIN	OPTIC	DELIVERED LUMENS
612-1120	ETV110 [VN] 16 LED/11W/3K	3000	13°	1,203
612-1121	ETV110 [VN] 16 LED/11W/4K	4000	13°	1,203
612-1220	ETV110 [N] 16 LED/11W/3K	3000	16°	1,051
612-1221	ETV110 [N] 16 LED/11W/4K	4000	16°	1,051
612-1320	ETV110 [M] 16 LED/11W/3K	3000	29°	1,070
612-1321	ETV110 [M] 16 LED/11W/4K	4000	29°	1,070
612-1420	ETV110 [W] 16 LED/11W/3K	3000	57°	958
612-1421	ETV110 [W] 16 LED/11W/4K	4000	57°	958
612-1020	ETV110 [LA10] 16 LED/11W/3K	3000	10° Wall Wash	1,025
612-1021	ETV110 [LA10] 16 LED/11W/4K	4000	10° Wall Wash	1,025



Accessories

612-9301	BEV110-I-1/327 (for 1 luminaire)
612-9302	BEV110-I-2/327 (for 2 luminaires)
612-9303	BEV110-I-3/327 (for 3 luminaires)
612-9304	BEV110-I-4/327 (for 4 luminaires)

INGROUND LUMINAIRES

[Return to Table of Contents](#)

ETV120 LED

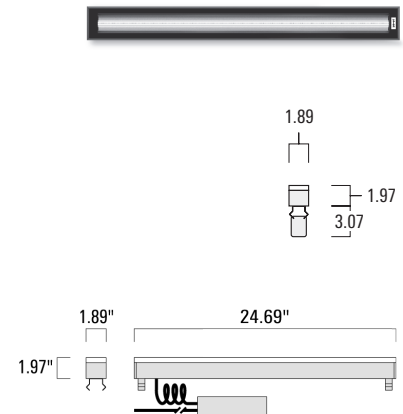
IP67, Class I. IK08. Marine-grade all aluminium construction. Anodized aluminium extrusion. PCS hardware. Silicone rubber gasket. Safety glass lens; max. load 5 tonnes. Luminaire can be driven over at low speed. Factory-sealed termination chamber complete with cable gland and 0.5 m of flexible cable. Linear PMMA LED lens. Factory installed LED circuit board. LED boards can be easily removed for upgrading. Luminaire is factory-sealed and does not need to be opened during installation. The installation blockout to be ordered separately. 120-277V. 0-10V dimming.

PRODUCT ID	LIGHT SOURCE	KELVIN	OPTIC	DELIVERED LUMENS
612-2120	ETV120 [VN] 32 LED/ 15 W	3000	13°	2406
612-2121	ETV120 [VN] 32 LED/ 15 W	4000	13°	2406
612-2220	ETV120 [N] 32 LED/ 15 W	3000	16°	2101
612-2221	ETV120 [N] 32 LED/ 15 W	4000	16°	2101
612-2320	ETV120 [M] 32 LED/ 15 W	3000	29°	2140
612-2321	ETV120 [M] 32 LED/ 15 W	4000	29°	2140
612-2420	ETV120 [W] 32 LED/ 15 W	3000	57°	1916
612-2421	ETV120 [W] 32 LED/ 15 W	4000	57°	1916
612-2020	ETV120 [LA10] 32 LED/ 15 W	3000	10° Wall Wash	2050
612-2021	ETV120 [LA10] 32 LED/ 15 W	4000	10° Wall Wash	2050

Accessories

612-9307	BEV120-I-1/627 (for 1 luminaire)
612-9308	BEV120-I-2/627 (for 2 luminaires)
612-9309	BEV120-I-3/627 (for 3 luminaires)
612-9310	BEV120-I-4/627 (for 4 luminaires)

Other lengths available upon request, minimum of 1', maximum of 16'



ETV130 LED

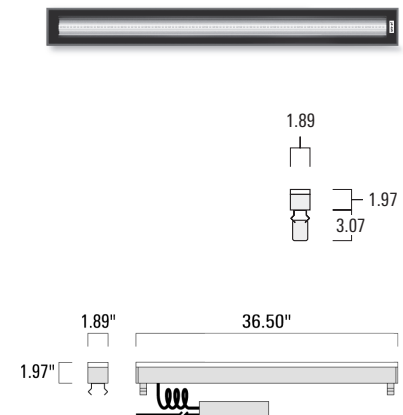
IP67, Class I. IK08. Marine-grade all aluminium construction. Anodized aluminium extrusion. PCS hardware. Silicone rubber gasket. Safety glass lens; max. load 5 tonnes. Luminaire can be driven over at low speed. Factory-sealed termination chamber complete with cable gland and 0.5 m of flexible cable. Linear PMMA LED lens. Factory installed LED circuit board. LED boards can be easily removed for upgrading. Luminaire is factory-sealed and does not need to be opened during installation. The installation blockout to be ordered separately. 120-277V. 0-10V dimming.

PRODUCT ID	LIGHT SOURCE	KELVIN	OPTIC	DELIVERED LUMENS
612-3120	ETV130 [VN] 48 LED/ 22.5 W	3000	13°	3609
612-3121	ETV130 [VN] 48 LED/ 22.5 W	4000	13°	3609
612-3220	ETV130 [N] 48 LED/ 22.5 W	3000	16°	3152
612-3221	ETV130 [N] 48 LED/ 22.5 W	4000	16°	3152
612-3320	ETV130 [M] 48 LED/ 22.5 W	3000	29°	3211
612-3321	ETV130 [M] 48 LED/ 22.5 W	4000	29°	3211
612-3420	ETV130 [W] 48 LED/ 22.5 W	3000	57°	2874
612-3421	ETV130 [W] 48 LED/ 22.5 W	4000	57°	2874
612-3020	ETV130 [LA10] 48 LED/ 22.5 W	3000	10° Wall Wash	3075
612-3021	ETV130 [LA10] 48 LED/ 22.5 W	4000	10° Wall Wash	3075

Accessories

612-9327	BEV130-I-1/927 (for 1 luminaire)
612-9328	BEV130-I-2/927 (for 2 luminaires)
612-9329	BEV130-I-3/927 (for 3 luminaires)
612-9330	BEV130-I-4/927 (for 4 luminaires)

Other lengths available upon request, minimum of 1', maximum of 16'



INGROUND LUMINAIRES

[Return to Table of Contents](#)

ETV140 LED

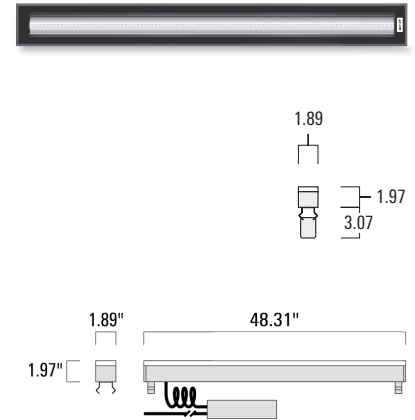
IP67, Class I, IK08. Marine-grade all aluminium construction. Anodized aluminium extrusion. PCS hardware. Silicone rubber gasket. Safety glass lens; max. load 5 tonnes. Luminaire can be driven over at low speed. Factory-sealed termination chamber complete with cable gland and 0.5 m of flexible cable. Linear PMMA LED lens. Factory installed LED circuit board. LED boards can be easily removed for upgrading. Luminaire is factory-sealed and does not need to be opened during installation. The installation blackout to be ordered separately. 120-277V. 0-10V dimming.

PRODUCT ID	LIGHT SOURCE	KELVIN	OPTIC	DELIVERED LUMENS
612-4120	ETV140 [VN] 64 LED/ 30 W	3000	13°	4812
612-4121	ETV140 [VN] 64 LED/ 30 W	4000	13°	4812
612-4220	ETV140 [N] 64 LED/ 30 W	3000	16°	4203
612-4221	ETV140 [N] 64 LED/ 30 W	4000	16°	4203
612-4320	ETV140 [M] 64 LED/ 30 W	3000	29°	4281
612-4321	ETV140 [M] 64 LED/ 30 W	4000	29°	4281
612-4420	ETV140 [W] 64 LED/ 30 W	3000	57°	3832
612-4421	ETV140 [W] 64 LED/ 30 W	4000	57°	3832
612-4020	ETV140 [LA10] 64 LED/ 30 W	3000	10° Wall Wash	4100
612-4021	ETV140 [LA10] 64 LED/ 30 W	4000	10° Wall Wash	4100

Accessories

612-9337	BEV140-I-1/1227 (for 1 luminaire)
612-9338	BEV140-I-2/1227 (for 2 luminaires)
612-9339	BEV140-I-3/1227 (for 3 luminaires)
612-9340	BEV140-I-4/1227 (for 4 luminaires)

Other lengths available upon request, minimum of 1', maximum of 16'



RECESSED WALL LUMINAIRES

[Return to Table of Contents](#)

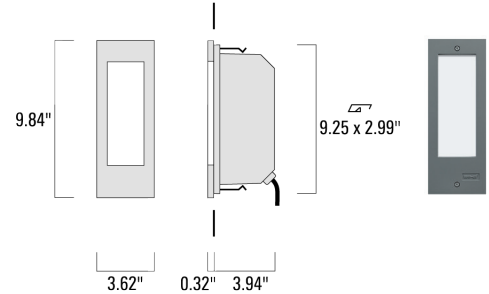
SVO259 LED

IP55. Vertical Orientation. Recessed LED steplight for orientation. Suitable for installation in cavity wall construction or concrete pour construction using optional installation blockout. Painted finish. 120-277V. 0-10V dimming.

PRODUCT ID	LIGHT SOURCE	KELVIN	OPTIC	DELIVERED LUMENS
615-3621	SVO259 [Diffused] 6 LED/ 6 W	3000	Diffused	190
615-3627	SVO259 [Diffused] Stainless 6 LED/ 6 W	3000	Diffused	190
615-3620	SVO259 [Diffused] 6 LED/ 6 W	4000	Diffused	190
615-3626	SVO259 [Diffused] Stainless 6 LED/ 6 W	4000	Diffused	190

Accessories

615-9325	Installation blockout (concrete pour)
----------	---------------------------------------



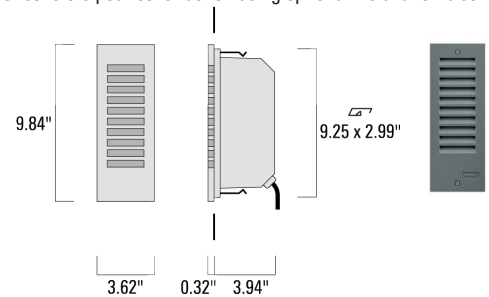
SVL259 LED

IP55. Vertical Orientation. Recessed LED steplight for orientation. Suitable for installation in cavity wall construction or concrete pour construction using optional installation blockout. Painted finish. 120-277V. 0-10V dimming.

PRODUCT ID	LIGHT SOURCE	KELVIN	OPTIC	DELIVERED LUMENS
615-3421	SVL259 [Diffused] 6 LED/ 6 W	3000	Shielded	33
615-3420	SVL259 [Diffused] 6 LED/ 6 W	4000	Shielded	33

Accessories

615-9325	Installation blockout (concrete pour)
----------	---------------------------------------



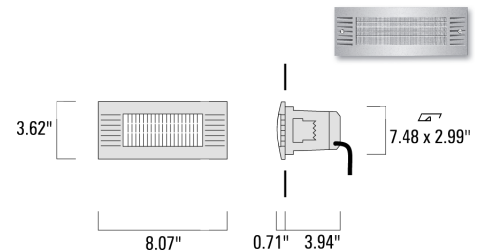
STN204 LED

IP55. Horizontal Orientation. Recessed LED steplight for orientation. Suitable for installation in cavity wall construction or concrete pour construction using optional installation blockout. Painted finish. 120-277V. 0-10V dimming.

PRODUCT ID	LIGHT SOURCE	KELVIN	OPTIC	DELIVERED LUMENS
615-0521	STN204 [Asymmetric] 4 LED/ 4 W	3000	Forward-Throw	208
615-0520	STN204 [Asymmetric] 4 LED/ 4 W	4000	Forward-Throw	208

Accessories

615-9320	Installation blockout (concrete pour)
----------	---------------------------------------



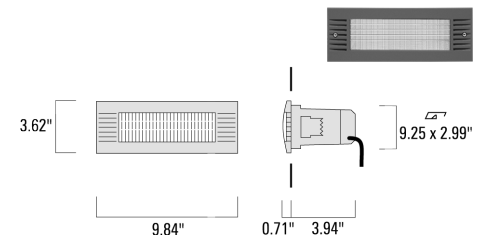
STN254 LED

IP55. Horizontal Orientation. Recessed LED steplight for orientation. Suitable for installation in cavity wall construction or concrete pour construction using optional installation blockout. Painted finish. 120-277V. 0-10V dimming.

PRODUCT ID	LIGHT SOURCE	KELVIN	OPTIC	DELIVERED LUMENS
615-1521	STN254 [Asymmetric] 6 LED/ 6 W	3000	Forward-Throw	312
615-1520	STN254 [Asymmetric] 6 LED/ 6 W	4000	Forward-Throw	312

Accessories

615-9325	Installation blockout (concrete pour)
----------	---------------------------------------



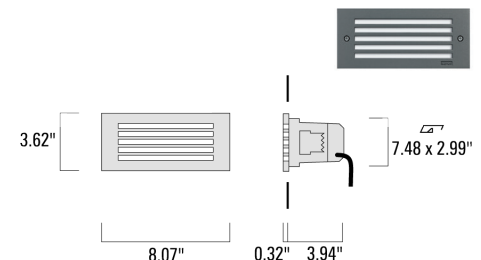
STG209 LED

IP55. Horizontal Orientation. Recessed LED steplight for orientation. Suitable for installation in cavity wall construction or concrete pour construction using optional installation blockout. Painted finish. 120-277V. 0-10V dimming.

PRODUCT ID	LIGHT SOURCE	KELVIN	OPTIC	DELIVERED LUMENS
615-0221	STG209 [Diffused] 4 LED/ 4 W	3000	Diffused	65
615-0227	STG209 [Diffused] Stainless 4 LED/ 4 W	3000	Diffused	65
615-0226	STG209 [Diffused] Stainless 4 LED/ 4 W	4000	Diffused	65
615-0220	STG209 [Diffused] 4 LED/ 4 W	4000	Diffused	65

Accessories

615-9320	Installation blockout (concrete pour)
----------	---------------------------------------



RECESSED WALL LUMINAIRES

[Return to Table of Contents](#)

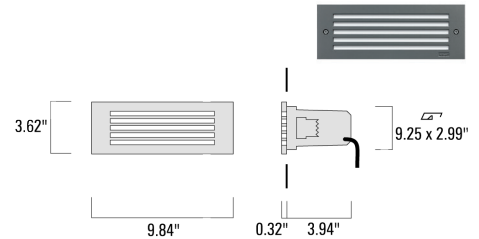
STG259 LED

IP55. Horizontal Orientation. Recessed LED steplight for orientation. Suitable for installation in cavity wall construction or concrete pour construction using optional installation blockout. Painted finish. 120-277V. 0-10V dimming.

PRODUCT ID	LIGHT SOURCE	KELVIN	OPTIC	DELIVERED LUMENS
615-1221	STG259 [Diffused] 6 LED/ 6 W	3000	Diffused	82
615-1227	STG259 [Diffused] Stainless 6 LED/ 6 W	3000	Diffused	82
615-1220	STG259 [Diffused] 6 LED/ 6 W	4000	Diffused	82
615-1226	STG259 [Diffused] Stainless 6 LED/ 6 W	4000	Diffused	82

Accessories

615-9325	Installation blockout (concrete pour)
----------	---------------------------------------



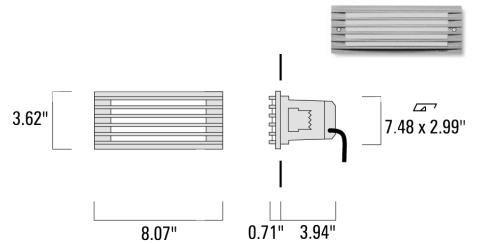
STX209 LED

IP55. Horizontal Orientation. Recessed LED steplight for orientation. Suitable for installation in cavity wall construction or concrete pour construction using optional installation blockout. Painted finish. 120-277V. 0-10V dimming.

PRODUCT ID	LIGHT SOURCE	KELVIN	OPTIC	DELIVERED LUMENS
615-4222	STX209 [Diffused] 4 LED/ 4 W	3000	Diffused	65
615-4221	STX209 [Diffused] 4 LED/ 4 W	4000	Diffused	65

Accessories

615-9320	Installation blockout (concrete pour)
----------	---------------------------------------



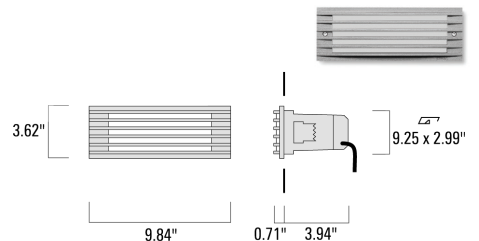
STX259 LED

IP55. Horizontal Orientation. Recessed LED steplight for orientation. Suitable for installation in cavity wall construction or concrete pour construction using optional installation blockout. Painted finish. 120-277V. 0-10V dimming.

PRODUCT ID	LIGHT SOURCE	KELVIN	OPTIC	DELIVERED LUMENS
615-5221	STX259 [Diffused] 6 LED/ 6 W	3000	Diffused	98
615-5220	STX259 [Diffused] 6 LED/ 6 W	4000	Diffused	98

Accessories

615-9325	Installation blockout (concrete pour)
----------	---------------------------------------



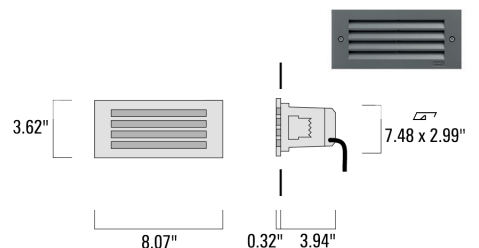
STL209 LED

IP55. Horizontal Orientation. Recessed LED steplight for orientation. Suitable for installation in cavity wall construction or concrete pour construction using optional installation blockout. Painted finish. 120-277V. 0-10V dimming.

PRODUCT ID	LIGHT SOURCE	KELVIN	OPTIC	DELIVERED LUMENS
615-0421	STL209 [Shielded] 4 LED/ 4 W	3000	Shielded	15
615-0420	STL209 [Shielded] 4 LED/ 4 W	4000	Shielded	15

Accessories

615-9320	Installation blockout (concrete pour)
----------	---------------------------------------



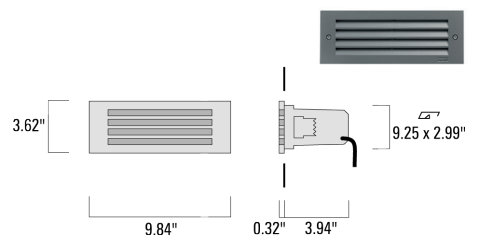
STL259 LED

IP55. Horizontal Orientation. Recessed LED steplight for orientation. Suitable for installation in cavity wall construction or concrete pour construction using optional installation blockout. Painted finish. 120-277V. 0-10V dimming.

PRODUCT ID	LIGHT SOURCE	KELVIN	OPTIC	DELIVERED LUMENS
615-1421	STL259 [Shielded] 6 LED/ 6 W	3000	Shielded	22
615-1420	STL259 [Shielded] 6 LED/ 6 W	4000	Shielded	22

Accessories

615-9325	Installation blockout (concrete pour)
----------	---------------------------------------



RECESSED WALL LUMINAIRES

[Return to Table of Contents](#)

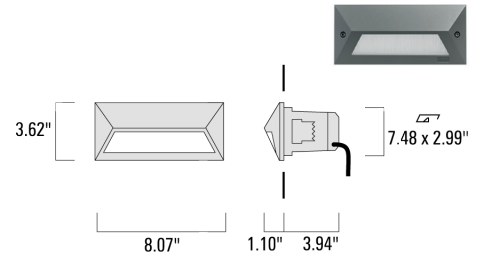
STP204 LED

IP55. Horizontal Orientation. Recessed LED steplight for orientation. Suitable for installation in cavity wall construction or concrete pour construction using optional installation blockout. Painted finish. 120-277V. 0-10V dimming.

PRODUCT ID	LIGHT SOURCE	KELVIN	OPTIC	DELIVERED LUMENS
615-0721	STP204 [Asymmetric] 4 LED/ 4 W	3000	Forward-Throw	92
615-0720	STP204 [Asymmetric] 4 LED/ 4 W	4000	Forward-Throw	92

Accessories

615-9320	Installation blockout (concrete pour)
----------	---------------------------------------



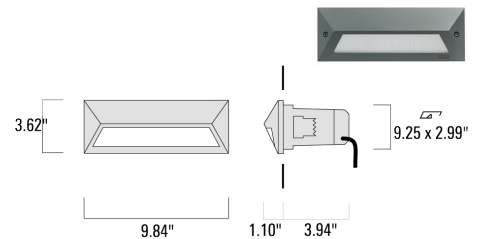
STP254 LED

IP55. Horizontal Orientation. Recessed LED steplight for orientation. Suitable for installation in cavity wall construction or concrete pour construction using optional installation blockout. Painted finish. 120-277V. 0-10V dimming.

PRODUCT ID	LIGHT SOURCE	KELVIN	OPTIC	DELIVERED LUMENS
615-1721	STP254 [Asymmetric] 6 LED/ 6 W	3000	Forward-Throw	184
615-1720	STP254 [Asymmetric] 6 LED/ 6 W	4000	Forward-Throw	184

Accessories

615-9325	Installation blockout (concrete pour)
----------	---------------------------------------



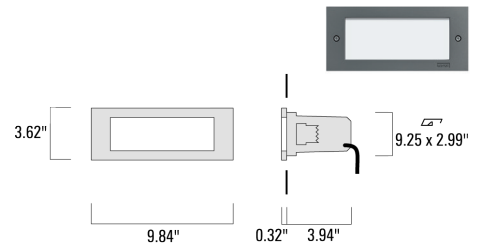
STO209 LED

IP55. Horizontal Orientation. Recessed LED steplight for orientation. Suitable for installation in cavity wall construction or concrete pour construction using optional installation blockout. Painted finish. 120-277V. 0-10V dimming.

PRODUCT ID	LIGHT SOURCE	KELVIN	OPTIC	DELIVERED LUMENS
615-0621	STO209 [Diffused] 4 LED/ 4 W	3000	Diffused	127
615-0627	STO209 [Diffused] Stainless 4 LED/ 4 W	3000	Diffused	127
615-0620	STO209 [Diffused] 4 LED/ 4 W	4000	Diffused	127
615-0626	STO209 [Diffused] Stainless 4 LED/ 4 W	4000	Diffused	127

Accessories

615-9320	Installation blockout (concrete pour)
----------	---------------------------------------



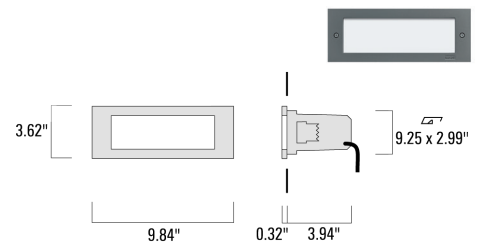
STO259 LED

IP55. Horizontal Orientation. Recessed LED steplight for orientation. Suitable for installation in cavity wall construction or concrete pour construction using optional installation blockout. Painted finish. 120-277V. 0-10V dimming.

PRODUCT ID	LIGHT SOURCE	KELVIN	OPTIC	DELIVERED LUMENS
615-1621	STO259 [Diffused] 6 LED/ 6 W	3000	Diffused	190
615-1627	STO259 [Diffused] Stainless 6 LED/ 6 W	3000	Diffused	190
615-1620	STO259 [Diffused] 6 LED/ 6 W	4000	Diffused	190
615-1626	STO259 [Diffused] Stainless 6 LED/ 6 W	4000	Diffused	190

Accessories

615-9325	Installation blockout (concrete pour)
----------	---------------------------------------



RECESSED WALL LUMINAIRES

[Return to Table of Contents](#)

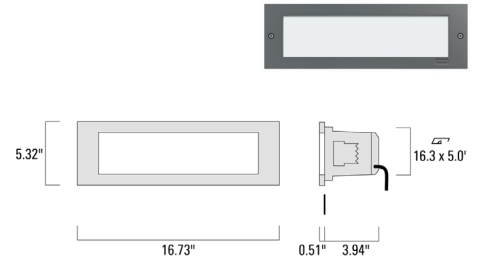
ST0279 LED

IP66. Horizontal Orientation. Recessed LED steplight for orientation. Suitable for installation in cavity wall construction or concrete pour construction using optional installation blockout. Painted finish. 120-277V.

PRODUCT ID	LIGHT SOURCE	KELVIN	OPTIC	DELIVERED LUMENS
615-6621	ST0279 [Diffused] 9 LED/ 9 W	3000	Diffused	333
615-6627	ST0279 [Diffused] Stainless 9 LED/ 9 W	3000	Diffused	333
615-6620	ST0279 [Diffused] 9 LED/ 9 W	4000	Diffused	333
615-6626	ST0279 [Diffused] Stainless 9 LED/ 9 W	4000	Diffused	333

Accessories

615-9327	Installation blockout (concrete pour)
----------	---------------------------------------



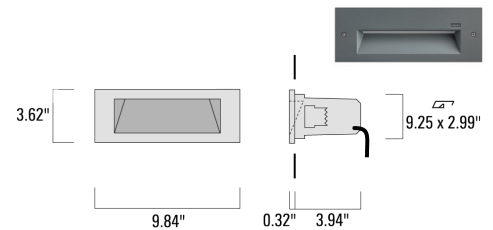
STI259 LED

IP66, Class I. IK10. Horizontal Orientation. Marine-grade, die-cast aluminium alloy. 5CE superior corrosion protection including PCS hardware. Silicone rubber gasket. Safety glass lens. Two cable entries. Factory installed LED circuit board. Integral EC electronic converter. A pre-installation blockout is available and recommended for mounting in concrete walls. To be ordered separately. 120-277V. 0-10V dimming.

PRODUCT ID	LIGHT SOURCE	KELVIN	OPTIC	DELIVERED LUMENS
615-1321	STI259 [Asymmetric] 6 LED/ 6 W	3000	Forward-Throw	178
615-1320	STI259 [Asymmetric] 6 LED/ 6 W	4000	Forward-Throw	192

Accessories

615-9325	Installation blockout (concrete pour)
----------	---------------------------------------



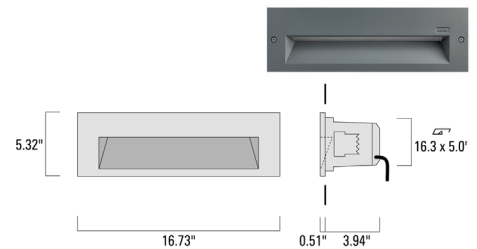
STI279 LED

IP66, Class I. IK10. Horizontal Orientation. Marine-grade, die-cast aluminium alloy. 5CE superior corrosion protection including PCS hardware. Silicone rubber gasket. Safety glass lens. Two cable entries. Factory installed LED circuit board. Integral EC electronic converter. A pre-installation blockout is available and recommended for mounting in concrete walls. To be ordered separately. 120-277V. 0-10V dimming.

PRODUCT ID	LIGHT SOURCE	KELVIN	OPTIC	DELIVERED LUMENS
615-6321	STI279 [Asymmetric] 9 LED/ 9 W	3000	Forward-Throw	446
615-6320	STI279 [Asymmetric] 9 LED/ 9 W	4000	Forward-Throw	446

Accessories

615-9327	Installation blockout (concrete pour)
----------	---------------------------------------



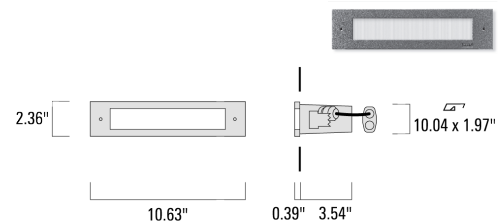
STO134 LED

IP66. Horizontal Orientation. Recessed LED steplight for orientation. Suitable for installation in cavity wall construction or concrete pour construction using optional installation blockout. Painted finish. 120-277V.

PRODUCT ID	LIGHT SOURCE	KELVIN	OPTIC	DELIVERED LUMENS
615-7620	STO134 [Diffused] 4 LED/ 5 W	3000	Diffused	72
615-7720	STO134 [Diffused] Stainless 4 LED/ 5 W	3000	Diffused	72
615-7621	STO134 [Diffused] 4 LED/ 5 W	4000	Diffused	75
615-7721	STO134 [Diffused] Stainless 4 LED/ 5 W	4000	Diffused	75

Accessories

615-9334	Installation blockout (concrete pour)
615-9335	Installation FLUSH blockout (concrete pour)



RECESSED WALL LUMINAIRES

[Return to Table of Contents](#)

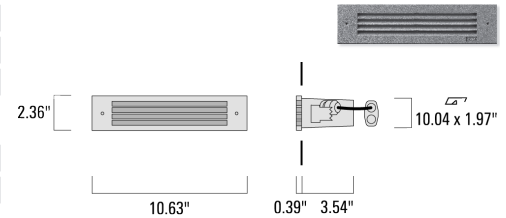
STL134 LED

IP66. Horizontal Orientation. Recessed LED steplight for orientation. Suitable for installation in cavity wall construction or concrete pour construction using optional installation blackout. Painted finish. 120-277V.

PRODUCT ID	LIGHT SOURCE	KELVIN	OPTIC	DELIVERED LUMENS
615-7421	STL134 [Shielded] 4 LED/ 5 W	3000	Shielded	17
615-7422	STL134 [Shielded] 4 LED/ 5 W	4000	Shielded	17

Accessories

615-9334	Installation blackout (concrete pour)
615-9335	Installation FLUSH blackout (concrete pour)



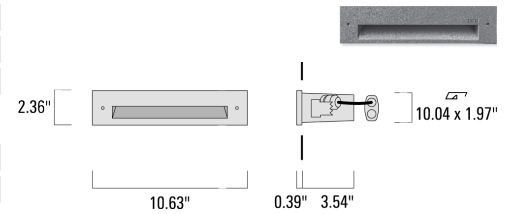
STI134 LED

IP66, Class I, IK07. Horizontal Orientation. Marine-grade, die-cast aluminium alloy. 5CE superior corrosion protection including PCS hardware. Silicone rubber gasket. Polycarbonate lens. Two cable entries. A pre-installation blackout is available and recommended for mounting in concrete walls. To be ordered separately. 120-277V.

PRODUCT ID	LIGHT SOURCE	KELVIN	OPTIC	DELIVERED LUMENS
615-7321	STI134 [Asymmetric] 4 LED/ 5 W	3000	Forward-Throw	112
615-7322	STI134 [Asymmetric] 4 LED/ 5 W	4000	Forward-Throw	117

Accessories

615-9334	Installation blackout (concrete pour)
615-9335	Installation FLUSH blackout (concrete pour)



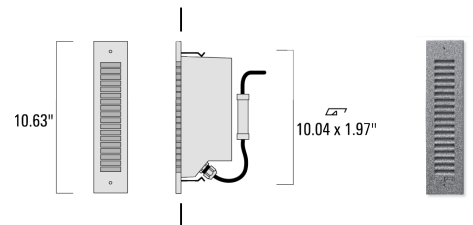
SVL134 LED

IP66. Vertical Orientation. Recessed LED steplight for orientation. Shielded lamp source. Suitable for installation in cavity wall construction or concrete pour construction using optional installation blackout. 100 Series luminaires are IP66 rated. 200 Series 120-277V.

PRODUCT ID	LIGHT SOURCE	KELVIN	OPTIC	DELIVERED LUMENS
615-7423	SVL134 [Shielded] 4 LED/ 5 W	3000	Shielded	12
615-7424	SVL134 [Shielded] 4 LED/ 5 W	4000	Shielded	12

Accessories

615-9334	Installation blackout (concrete pour)
615-9335	Installation FLUSH blackout (concrete pour)



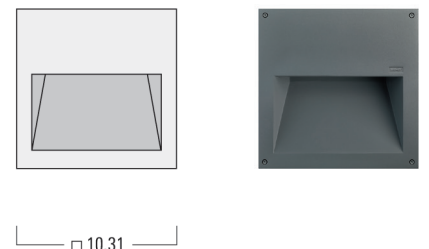
QRI354 LED

IP55. Recessed LED wall luminaire. Shielded light source. Suitable for installation in cavity wall construction or concrete pour construction using optional installation blackout. 120-277V.

PRODUCT ID	LIGHT SOURCE	KELVIN	OPTIC	DELIVERED LUMENS
616-1321	QRI354 [Asymmetric] 6 LED/ 6 W	3000	Forward-Throw	516
616-1320	QRI354 [Asymmetric] 6 LED/ 6 W	4000	Forward-Throw	516

Accessories

616-9319	Installation blackout for concrete pour applications
----------	--



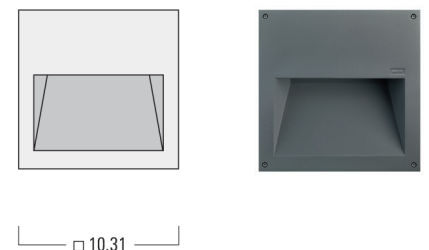
QRI374 LED

IP55. Recessed LED wall luminaire. Shielded light source. Suitable for installation in cavity wall construction or concrete pour construction using optional installation blackout. 120-277V.

PRODUCT ID	LIGHT SOURCE	KELVIN	OPTIC	DELIVERED LUMENS
616-2321	QRI374 [Asymmetric] 6 LED/ 6 W	3000	Forward-Throw	894
616-2320	QRI374 [Asymmetric] 6 LED/ 6 W	4000	Forward-Throw	894

Accessories

616-9330	Installation blackout for concrete pour applications
----------	--

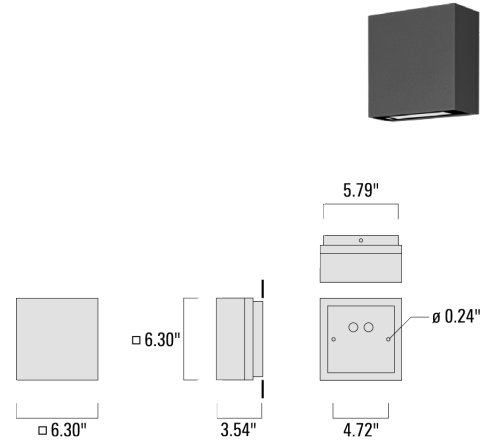


SURFACE MOUNTED WALL LUMINAIRES Return to Table of Contents

QLS410 LED

IP66, Class I, IK07. Surface mounted LED wall luminaire. Marine-grade, die-cast aluminum alloy. 5CE superior corrosion protection including PCS hardware. Silicone rubber gasket. Safety glass lens. Integral EC electronic converter. CAD-optimised optics for superior illumination and glare control. OLC® One LED Concept. Factory installed LED circuit board. 0-10V on request. Suitable for installation over 4" recessed junction box. 120-277V. ADA Compliant.

PRODUCT ID	LIGHT SOURCE	KELVIN	OPTIC	DELIVERED LUMENS
620-2120	QLS410 [N] 3 LED/ 6 W	3000	14°	557
620-2121	QLS410 [N] 3 LED/ 6 W	4000	14°	557
620-2012	QLS410 [N] 3 LED/ 9 W	3000	14°	883
620-2015	QLS410 [N] 3 LED/ 9 W	4000	14°	1019
620-2018	QLS410 [N] 3 LED/ 13 W	3000	14°	1130
620-2021	QLS410 [N] 3 LED/ 13 W	4000	14°	1304
620-2520	QLS410 [M] 3 LED/ 6 W	3000	33°	498
620-2521	QLS410 [M] 3 LED/ 6 W	4000	33°	498
620-2011	QLS410 [M] 3 LED/ 9 W	3000	33°	789
620-2014	QLS410 [M] 3 LED/ 9 W	4000	33°	910
620-2017	QLS410 [M] 3 LED/ 13 W	3000	33°	1008
620-2020	QLS410 [M] 3 LED/ 13 W	4000	33°	1164
620-2122	QLS410 [N]/[N] 6 LED/ 12 W	3000	14°/14°	1115
620-2123	QLS410 [N]/[N] 6 LED/ 12 W	4000	14°/14°	1115
620-2026	QLS410 [N]/[N] 6 LED/ 18 W	3000	14°/14°	1767
620-2031	QLS410 [N]/[N] 6 LED/ 18 W	4000	14°/14°	2039
620-2036	QLS410 [N]/[N] 6 LED/ 26 W	3000	14°/14°	2261
620-2042	QLS410 [N]/[N] 6 LED/ 26 W	4000	14°/14°	2608
620-2025	QLS410 [N]/[M] 6 LED/ 18 W	3000	14°/33°	1673
620-2030	QLS410 [N]/[M] 6 LED/ 18 W	4000	14°/33°	1930
620-2035	QLS410 [N]/[M] 6 LED/ 26 W	3000	14°/33°	2139
620-2040	QLS410 [N]/[M] 6 LED/ 26 W	4000	14°/33°	2468
620-2527	QLS410 [N]/[S] 6 LED/ 12 W	3000	14°/58°	1027
620-2526	QLS410 [N]/[S] 6 LED/ 12 W	4000	14°/58°	1027
620-2522	QLS410 [M]/[M] 6 LED/ 12 W	3000	33°/33°	995
620-2523	QLS410 [M]/[M] 6 LED/ 12 W	4000	33°/33°	995
620-2024	QLS410 [M]/[M] 6 LED/ 18 W	3000	33°/33°	1578
620-2029	QLS410 [M]/[M] 6 LED/ 18 W	4000	33°/33°	1820
620-2034	QLS410 [M]/[M] 6 LED/ 26 W	3000	33°/33°	2018
620-2039	QLS410 [M]/[M] 6 LED/ 26 W	4000	33°/33°	2328
620-2525	QLS410 [M]/[S] 6 LED/ 12 W	3000	33°/58°	967
620-2524	QLS410 [M]/[S] 6 LED/ 12 W	4000	33°/58°	967
620-2529	QLS410 [S] 3 LED/ 6 W	3000	58°	470
620-2528	QLS410 [S] 3 LED/ 6 W	4000	58°	470
620-2124	QLS410 [R45] 3 LED/ 6 W	3000	Type II Short	502
620-2125	QLS410 [R45] 3 LED/ 6 W	4000	Type II Short	502
620-2010	QLS410 [R45] 3 LED/ 9 W	3000	Type II Short	796
620-2013	QLS410 [R45] 3 LED/ 9 W	4000	Type II Short	919
620-2016	QLS410 [R45] 3 LED/ 13 W	3000	Type II Short	1018
620-2019	QLS410 [R45] 3 LED/ 13 W	4000	Type II Short	1176
620-2128	QLS410 [N]/[R45] 6 LED/ 12 W	3000	14°/Type II Short	1060
620-2129	QLS410 [N]/[R45] 6 LED/ 12 W	4000	14°/Type II Short	1060
620-2023	QLS410 [N]/[R45] 6 LED/ 18 W	3000	14°/Type II Short	1680
620-2028	QLS410 [N]/[R45] 6 LED/ 18 W	4000	14°/Type II Short	1939
620-2033	QLS410 [N]/[R45] 6 LED/ 26 W	3000	14°/Type II Short	2149
620-2038	QLS410 [N]/[R45] 6 LED/ 26 W	4000	14°/Type II Short	2479
620-2126	QLS410 [M]/[R45] 6 LED/ 12 W	3000	33°/Type II Short	1000
620-2127	QLS410 [M]/[R45] 6 LED/ 12 W	4000	33°/Type II Short	1000



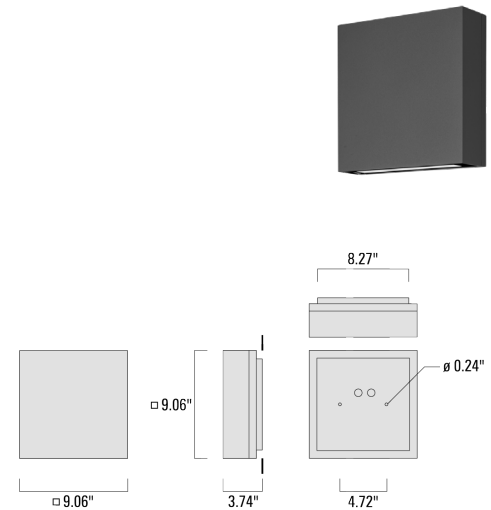
SURFACE MOUNTED WALL LUMINAIRES Return to Table of Contents

PRODUCT ID	LIGHT SOURCE	KELVIN	OPTIC	DELIVERED LUMENS
620-2022	QLS410 [M]/[R45] 6 LED/ 18 W	3000	33°/Type II Short	1585
620-2027	QLS410 [M]/[R45] 6 LED/ 18 W	4000	33°/Type II Short	1829
620-2032	QLS410 [M]/[R45] 6 LED/ 26 W	3000	33°/Type II Short	2028
620-2037	QLS410 [M]/[R45] 6 LED/ 26 W	4000	33°/Type II Short	2339

QLS420 LED

IP66, Class I, IK07. Surface mounted LED wall luminaire. Marine-grade, die-cast aluminum alloy, 5CE superior corrosion protection including PCS hardware. Silicone rubber gasket. Safety glass lens. Integral EC electronic converter. CAD-optimised optics for superior illumination and glare control. OLC® One LED Concept. Factory installed LED circuit board. 0-10V on request. Suitable for installation over 4" recessed junction box. 120-277V. ADA Compliant.

PRODUCT ID	LIGHT SOURCE	KELVIN	OPTIC	DELIVERED LUMENS
620-3120	QLS420 [N] 6 LED/ 12 W	3000	14°	1115
620-3121	QLS420 [N] 6 LED/ 12 W	4000	14°	1115
620-3044	QLS420 [N] 6 LED/ 18 W	3000	14°	1767
620-3047	QLS420 [N] 6 LED/ 18 W	4000	14°	2039
620-3050	QLS420 [N] 6 LED/ 26 W	3000	14°	2260
620-3053	QLS420 [N] 6 LED/ 26 W	4000	14°	2607
620-3520	QLS420 [M] 6 LED/ 12 W	3000	33°	995
620-3521	QLS420 [M] 6 LED/ 12 W	4000	33°	995
620-3043	QLS420 [M] 6 LED/ 18 W	3000	33°	1577
620-3046	QLS420 [M] 6 LED/ 18 W	4000	33°	1820
620-3049	QLS420 [M] 6 LED/ 26 W	3000	33°	2018
620-3052	QLS420 [M] 6 LED/ 26 W	4000	33°	2328
620-3122	QLS420 [N]/[N] 12 LED/ 24 W	3000	14°/14°	2230
620-3123	QLS420 [N]/[N] 12 LED/ 24 W	4000	14°/14°	2230
620-3058	QLS420 [N]/[N] 12 LED/ 36 W	3000	14°/14°	3535
620-3063	QLS420 [N]/[N] 12 LED/ 36 W	4000	14°/14°	4079
620-3068	QLS420 [N]/[N] 12 LED/ 52 W	3000	14°/14°	4521
620-3073	QLS420 [N]/[N] 12 LED/ 52 W	4000	14°/14°	5217
620-3057	QLS420 [N]/[M] 12 LED/ 36 W	3000	14°/33°	3345
620-3062	QLS420 [N]/[M] 12 LED/ 36 W	4000	14°/33°	3860
620-3067	QLS420 [N]/[M] 12 LED/ 52 W	3000	14°/33°	4279
620-3072	QLS420 [N]/[M] 12 LED/ 52 W	4000	14°/33°	4937
620-3527	QLS420 [N]/[S] 12 LED/ 24 W	3000	14°/58°	2054
620-3526	QLS420 [N]/[S] 12 LED/ 24 W	4000	14°/58°	2054
620-3522	QLS420 [M]/[M] 12 LED/ 24 W	3000	33°/33°	1990
620-3523	QLS420 [M]/[M] 12 LED/ 24 W	4000	33°/33°	1990
620-3056	QLS420 [M]/[M] 12 LED/ 36 W	3000	33°/33°	3155
620-3061	QLS420 [M]/[M] 12 LED/ 36 W	4000	33°/33°	3641
620-3066	QLS420 [M]/[M] 12 LED/ 52 W	3000	33°/33°	4036
620-3071	QLS420 [M]/[M] 12 LED/ 52 W	4000	33°/33°	4657
620-3525	QLS420 [M]/[S] 12 LED/ 24 W	3000	33°/58°	1935
620-3524	QLS420 [M]/[S] 12 LED/ 24 W	4000	33°/58°	1935
620-3529	QLS420 [S] 6 LED/ 12 W	3000	58°	940
620-3528	QLS420 [S] 6 LED/ 12 W	4000	58°	940
620-3124	QLS420 [R45] 6 LED/ 12 W	3000	Type II Short	1005
620-3125	QLS420 [R45] 6 LED/ 12 W	4000	Type II Short	1005
620-3042	QLS420 [R45] 6 LED/ 18 W	3000	Type II Short	1593
620-3045	QLS420 [R45] 6 LED/ 18 W	4000	Type II Short	1838
620-3048	QLS420 [R45] 6 LED/ 26 W	3000	Type II Short	2037
620-3051	QLS420 [R45] 6 LED/ 26 W	4000	Type II Short	2350
620-3128	QLS420 [N]/[R45] 12 LED/ 24 W	3000	14°/Type II Short	2120
620-3129	QLS420 [N]/[R45] 12 LED/ 24 W	4000	14°/Type II Short	2120



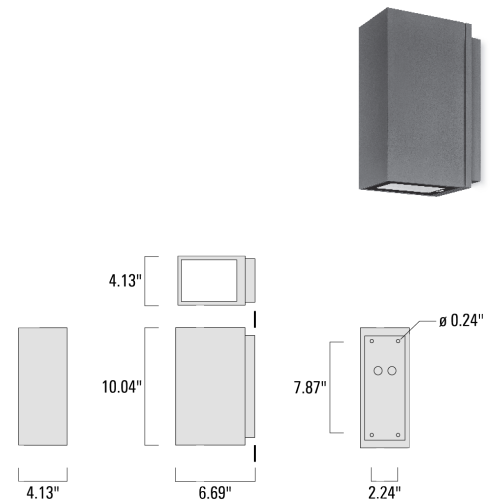
SURFACE MOUNTED WALL LUMINAIRES Return to Table of Contents

PRODUCT ID	LIGHT SOURCE	KELVIN	OPTIC	DELIVERED LUMENS
620-3055	QLS420 [N]/[R45] 12 LED/ 36 W	3000	14°/Type II Short	3360
620-3060	QLS420 [N]/[R45] 12 LED/ 36 W	4000	14°/Type II Short	3877
620-3065	QLS420 [N]/[R45] 12 LED/ 52 W	3000	14°/Type II Short	4298
620-3070	QLS420 [N]/[R45] 12 LED/ 52 W	4000	14°/Type II Short	4959
620-3126	QLS420 [M]/[R45] 12 LED/ 24 W	3000	33°/Type II Short	2000
620-3127	QLS420 [M]/[R45] 12 LED/ 24 W	4000	33°/Type II Short	2000
620-3054	QLS420 [M]/[R45] 12 LED/ 36 W	3000	33°/Type II Short	3171
620-3059	QLS420 [M]/[R45] 12 LED/ 36 W	4000	33°/Type II Short	3658
620-3064	QLS420 [M]/[R45] 12 LED/ 52 W	3000	33°/Type II Short	4055
620-3069	QLS420 [M]/[R45] 12 LED/ 52 W	4000	33°/Type II Short	4679

VLS410 LED

IP66, Class I, IK07. Surface mounted LED wall luminaire. Marine-grade, die-cast aluminum alloy, 5CE superior corrosion protection including PCS hardware. Silicone rubber gasket. Safety glass lens. Suitable for installation over 4" recessed junction box. 120-277V. 0-10V dimming.

PRODUCT ID	LIGHT SOURCE	KELVIN	OPTIC	DELIVERED LUMENS
620-4314	VLS410 [N] 3 LED/ 6 W	3000	14°	557
620-4315	VLS410 [N] 3 LED/ 6 W	4000	14°	557
620-4420	VLS410 [N] 3 LED/ 9 W	3000	14°	883
620-4423	VLS410 [N] 3 LED/ 9 W	4000	14°	1019
620-4426	VLS410 [N] 3 LED/ 13 W	3000	14°	1130
620-4429	VLS410 [N] 3 LED/ 13 W	4000	14°	1304
620-4312	VLS410 [M] 3 LED/ 6 W	3000	33°	498
620-4313	VLS410 [M] 3 LED/ 6 W	4000	33°	498
620-4419	VLS410 [M] 3 LED/ 9 W	3000	33°	789
620-4422	VLS410 [M] 3 LED/ 9 W	4000	33°	910
620-4425	VLS410 [M] 3 LED/ 13 W	3000	33°	1008
620-4428	VLS410 [M] 3 LED/ 13 W	4000	33°	1164
620-4332	VLS410 [N]/[N] 6 LED/ 12 W	3000	14°/14°	1115
620-4333	VLS410 [N]/[N] 6 LED/ 12 W	4000	14°/14°	1115
620-4434	VLS410 [N]/[N] 6 LED/ 18 W	3000	14°/14°	1767
620-4444	VLS410 [N]/[N] 6 LED/ 26 W	3000	14°/14°	1767
620-4439	VLS410 [N]/[N] 6 LED/ 18 W	4000	14°/14°	2039
620-4449	VLS410 [N]/[N] 6 LED/ 26 W	4000	14°/14°	2039
620-4328	VLS410 [N]/[M] 6 LED/ 12 W	3000	14°/33°	1055
620-4329	VLS410 [N]/[M] 6 LED/ 12 W	4000	14°/33°	1055
620-4433	VLS410 [N]/[M] 6 LED/ 18 W	3000	14°/33°	1673
620-4443	VLS410 [N]/[M] 6 LED/ 26 W	3000	14°/33°	1673
620-4438	VLS410 [N]/[M] 6 LED/ 18 W	4000	14°/33°	1930
620-4448	VLS410 [N]/[M] 6 LED/ 26 W	4000	14°/33°	1930
620-4326	VLS410 [M]/[M] 6 LED/ 12 W	3000	33°/33°	995
620-4327	VLS410 [M]/[M] 6 LED/ 12 W	4000	33°/33°	995
620-4432	VLS410 [M]/[M] 6 LED/ 18 W	3000	33°/33°	1578
620-4442	VLS410 [M]/[M] 6 LED/ 26 W	3000	33°/33°	1578
620-4437	VLS410 [M]/[M] 6 LED/ 18 W	4000	33°/33°	1820
620-4447	VLS410 [M]/[M] 6 LED/ 26 W	4000	33°/33°	1820
620-4338	VLS410 [N]/[A60] 6 LED/ 12 W	3000	14°/Type IV	779
620-4339	VLS410 [N]/[A60] 6 LED/ 12 W	4000	14°/Type IV	779
620-4431	VLS410 [N]/[A60] 6 LED/ 18 W	3000	14°/Type IV	1234
620-4441	VLS410 [N]/[A60] 6 LED/ 26 W	3000	14°/Type IV	1234
620-4436	VLS410 [N]/[A60] 6 LED/ 18 W	4000	14°/Type IV	1424
620-4446	VLS410 [N]/[A60] 6 LED/ 26 W	4000	14°/Type IV	1424



SURFACE MOUNTED WALL LUMINAIRES

[Return to Table of Contents](#)

PRODUCT ID	LIGHT SOURCE	KELVIN	OPTIC	DELIVERED LUMENS
620-4430	VLS410 [M]/[A60] 6 LED/ 18 W	3000	33°/Type IV	1139
620-4440	VLS410 [M]/[A60] 6 LED/ 26 W	3000	33°/Type IV	1139
620-4435	VLS410 [M]/[A60] 6 LED/ 18 W	4000	33°/Type IV	1315
620-4445	VLS410 [M]/[A60] 6 LED/ 26 W	4000	33°/Type IV	1315
620-4318	VLS410 [A60] 3 LED/ 6 W	3000	Type IV	221
620-4319	VLS410 [A60] 3 LED/ 6 W	4000	Type IV	221
620-4418	VLS410 [A60] 3 LED/ 9 W	3000	Type IV	350
620-4421	VLS410 [A60] 3 LED/ 9 W	4000	Type IV	404
620-4424	VLS410 [A60] 3 LED/ 13 W	3000	Type IV	448
620-4427	VLS410 [A60] 3 LED/ 13 W	4000	Type IV	517

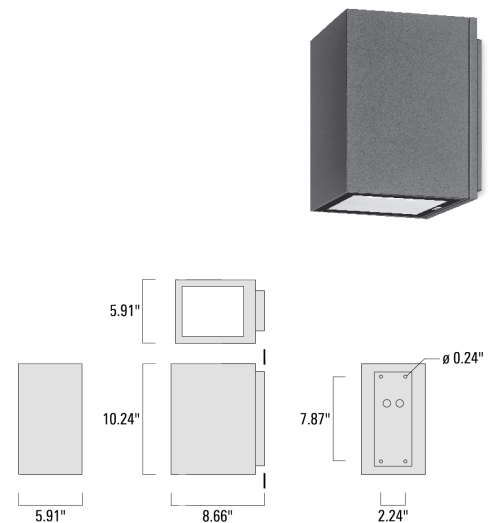
Accessories

620-9341 Column Fitter - for columns $\geq 5 \frac{1}{2}$ " in diameter

VLS420 LED

IP66, Class I, IK07. Surface mounted LED wall luminaire. Marine-grade, die-cast aluminum alloy. 5CE superior corrosion protection including PCS hardware. Silicone rubber gasket. Safety glass lens. Suitable for installation over 4" recessed junction box. 120-277V. 0-10V dimming.

PRODUCT ID	LIGHT SOURCE	KELVIN	OPTIC	DELIVERED LUMENS
620-5366	VLS420 [N] 6 LED/ 12 W	3000	14°	1115
620-5367	VLS420 [N] 6 LED/ 12 W	4000	14°	1115
620-5043	VLS420 [N] 6 LED/ 18 W	3000	14°	1767
620-5046	VLS420 [N] 6 LED/ 18 W	4000	14°	2039
620-5049	VLS420 [N] 6 LED/ 26 W	3000	14°	2260
620-5052	VLS420 [N] 6 LED/ 26 W	4000	14°	2607
620-5362	VLS420 [M] 6 LED/ 12 W	3000	33°	995
620-5363	VLS420 [M] 6 LED/ 12 W	4000	33°	995
620-5042	VLS420 [M] 6 LED/ 18 W	3000	33°	1577
620-5045	VLS420 [M] 6 LED/ 18 W	4000	33°	1820
620-5048	VLS420 [M] 6 LED/ 26 W	3000	33°	2018
620-5051	VLS420 [M] 6 LED/ 26 W	4000	33°	2328
620-5384	VLS420 [N]/[N] 12 LED/ 24 W	3000	14°/14°	2230
620-5385	VLS420 [N]/[N] 12 LED/ 24 W	4000	14°/14°	2230
620-5057	VLS420 [N]/[N] 12 LED/ 36 W	3000	14°/14°	3535
620-5062	VLS420 [N]/[N] 12 LED/ 36 W	4000	14°/14°	4079
620-5067	VLS420 [N]/[N] 12 LED/ 52 W	3000	14°/14°	4521
620-5072	VLS420 [N]/[N] 12 LED/ 52 W	4000	14°/14°	5217
620-5380	VLS420 [N]/[M] 12 LED/ 24 W	3000	14°/33°	2110
620-5381	VLS420 [N]/[M] 12 LED/ 24 W	4000	14°/33°	2110
620-5056	VLS420 [N]/[M] 12 LED/ 36 W	3000	14°/33°	3345
620-5061	VLS420 [N]/[M] 12 LED/ 36 W	4000	14°/33°	3860
620-5066	VLS420 [N]/[M] 12 LED/ 52 W	3000	14°/33°	4279
620-5071	VLS420 [N]/[M] 12 LED/ 52 W	4000	14°/33°	4937
620-5055	VLS420 [M]/[M] 12 LED/ 36 W	3000	33°/33°	3155
620-5060	VLS420 [M]/[M] 12 LED/ 36 W	4000	33°/33°	3641
620-5065	VLS420 [M]/[M] 12 LED/ 52 W	3000	33°/33°	4036
620-5070	VLS420 [M]/[M] 12 LED/ 52 W	4000	33°/33°	4657
620-5388	VLS420 [N]/[A60] 12 LED/ 24 W	3000	14°/Type IV	1838
620-5389	VLS420 [N]/[A60] 12 LED/ 24 W	4000	14°/Type IV	1838
620-5054	VLS420 [N]/[A60] 12 LED/ 36 W	3000	14°/Type IV	2915
620-5059	VLS420 [N]/[A60] 12 LED/ 36 W	4000	14°/Type IV	3363
620-5064	VLS420 [N]/[A60] 12 LED/ 52 W	3000	14°/Type IV	3728
620-5069	VLS420 [N]/[A60] 12 LED/ 52 W	4000	14°/Type IV	4301



SURFACE MOUNTED WALL LUMINAIRES Return to Table of Contents

PRODUCT ID	LIGHT SOURCE	KELVIN	OPTIC	DELIVERED LUMENS
620-5386	VLS420 [M]/[A60] 12 LED/ 24 W	3000	33°/Type IV	1719
620-5387	VLS420 [M]/[A60] 12 LED/ 24 W	4000	33°/Type IV	1719
620-5053	VLS420 [M]/[A60] 12 LED/ 36 W	3000	33°/Type IV	2725
620-5058	VLS420 [M]/[A60] 12 LED/ 36 W	4000	33°/Type IV	3144
620-5063	VLS420 [M]/[A60] 12 LED/ 52 W	3000	33°/Type IV	3485
620-5068	VLS420 [M]/[A60] 12 LED/ 52 W	4000	33°/Type IV	4021
620-5368	VLS420 [A60] 6 LED/ 12 W	3000	Type IV	724
620-5369	VLS420 [A60] 6 LED/ 12 W	4000	Type IV	724
620-5041	VLS420 [A60] 6 LED/ 18 W	3000	Type IV	1147
620-5044	VLS420 [A60] 6 LED/ 18 W	4000	Type IV	1323
620-5047	VLS420 [A60] 6 LED/ 26 W	3000	Type IV	1467
620-5050	VLS420 [A60] 6 LED/ 26 W	4000	Type IV	1693

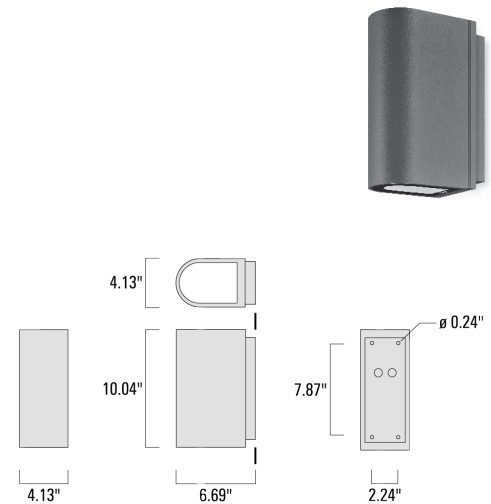
Accessories

620-9341	Column Fitter - for columns $\geq 5 \frac{1}{2}$ " in diameter
----------	--

SLS410 LED

IP66, Class I, IK07. Marine-grade, die-cast aluminum alloy. 5CE superior corrosion protection including PCS hardware. Silicone rubber gasket. Safety glass lens. Integral EC electronic converter. CAD-optimized optics for superior illumination and glare control. OLC® One LED Concept. Suitable for installation over 4" recessed junction box. 120-277V. 0-10V dimming.

PRODUCT ID	LIGHT SOURCE	KELVIN	OPTIC	DELIVERED LUMENS
620-6314	SLS410 [N] 3 LED/ 6 W	3000	14°	557
620-6315	SLS410 [N] 3 LED/ 6 W	4000	14°	557
620-6212	SLS410 [N] 3 LED/ 9 W	3000	14°	883
620-6215	SLS410 [N] 3 LED/ 9 W	4000	14°	1019
620-6218	SLS410 [N] 3 LED/ 13 W	3000	14°	1130
620-6221	SLS410 [N] 3 LED/ 13 W	4000	14°	1304
620-6312	SLS410 [M] 3 LED/ 6 W	3000	33°	498
620-6313	SLS410 [M] 3 LED/ 6 W	4000	33°	498
620-6211	SLS410 [M] 3 LED/ 9 W	3000	33°	789
620-6214	SLS410 [M] 3 LED/ 9 W	4000	33°	910
620-6217	SLS410 [M] 3 LED/ 13 W	3000	33°	1008
620-6220	SLS410 [M] 3 LED/ 13 W	4000	33°	1164
620-6332	SLS410 [N]/[N] 6 LED/ 12 W	3000	14°/14°	1115
620-6333	SLS410 [N]/[N] 6 LED/ 12 W	4000	14°/14°	1115
620-6226	SLS410 [N]/[N] 6 LED/ 18 W	3000	14°/14°	1767
620-6231	SLS410 [N]/[N] 6 LED/ 18 W	4000	14°/14°	2039
620-6236	SLS410 [N]/[N] 6 LED/ 26 W	3000	14°/14°	2261
620-6241	SLS410 [N]/[N] 6 LED/ 26 W	4000	14°/14°	2468
620-6328	SLS410 [N]/[M] 6 LED/ 12 W	3000	14°/33°	1055
620-6329	SLS410 [N]/[M] 6 LED/ 12 W	4000	14°/33°	1055
620-6225	SLS410 [N]/[M] 6 LED/ 18 W	3000	14°/33°	1673
620-6230	SLS410 [N]/[M] 6 LED/ 18 W	4000	14°/33°	1930
620-6235	SLS410 [N]/[M] 6 LED/ 26 W	3000	14°/33°	2139
620-6240	SLS410 [N]/[M] 6 LED/ 26 W	4000	14°/33°	2468
620-6326	SLS410 [M]/[M] 6 LED/ 12 W	3000	33°/33°	995
620-6327	SLS410 [M]/[M] 6 LED/ 12 W	4000	33°/33°	995
620-6224	SLS410 [M]/[M] 6 LED/ 18 W	3000	33°/33°	1578
620-6229	SLS410 [M]/[M] 6 LED/ 18 W	4000	33°/33°	1820
620-6234	SLS410 [M]/[M] 6 LED/ 26 W	3000	33°/33°	2018
620-6239	SLS410 [M]/[M] 6 LED/ 26 W	4000	33°/33°	2328
620-6322	SLS410 [N]/[A60] 6 LED/ 12 W	3000	14°/Type IV	1027
620-6323	SLS410 [N]/[A60] 6 LED/ 12 W	4000	14°/Type IV	1027



SURFACE MOUNTED WALL LUMINAIRES Return to Table of Contents

PRODUCT ID	LIGHT SOURCE	KELVIN	OPTIC	DELIVERED LUMENS
620-6223	SLS410 [N]/[A60] 6 LED/ 18 W	3000	14°/Type IV	1234
620-6228	SLS410 [N]/[A60] 6 LED/ 18 W	4000	14°/Type IV	1424
620-6233	SLS410 [N]/[A60] 6 LED/ 26 W	3000	14°/Type IV	1579
620-6238	SLS410 [N]/[A60] 6 LED/ 26 W	4000	14°/Type IV	1821
620-6222	SLS410 [M]/[A60] 6 LED/ 18 W	3000	33°/Type IV	1139
620-6227	SLS410 [M]/[A60] 6 LED/ 18 W	4000	33°/Type IV	1315
620-6232	SLS410 [M]/[A60] 6 LED/ 26 W	3000	33°/Type IV	1457
620-6237	SLS410 [M]/[A60] 6 LED/ 26 W	4000	33°/Type IV	1681
620-6318	SLS410 [A60] 3 LED/ 6 W	3000	Type IV	221
620-6319	SLS410 [A60] 3 LED/ 6 W	4000	Type IV	221
620-6210	SLS410 [A60] 3 LED/ 9 W	3000	Type IV	350
620-6213	SLS410 [A60] 3 LED/ 9 W	4000	Type IV	404
620-6216	SLS410 [A60] 3 LED/ 13 W	3000	Type IV	488
620-6219	SLS410 [A60] 3 LED/ 13 W	4000	Type IV	517

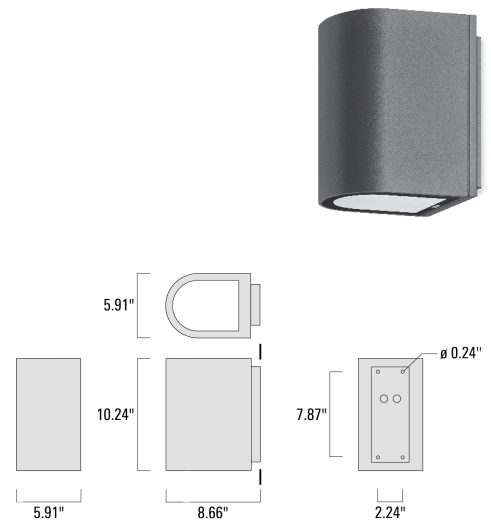
Accessories

620-9341	Column Fitter - for columns $\geq 5 \frac{1}{2}$ " in diameter
----------	--

SLS420 LED

IP66, Class I, IK07. Marine-grade, die-cast aluminum alloy. 5CE superior corrosion protection including PCS hardware. Silicone rubber gasket. Safety glass lens. Integral EC electronic converter. CAD-optimized optics for superior illumination and glare control. OLC® One LED Concept. Suitable for installation over 4" recessed junction box. 120-277V. 0-10V dimming.

PRODUCT ID	LIGHT SOURCE	KELVIN	OPTIC	DELIVERED LUMENS
620-6364	SLS420 [N] 6 LED/ 12 W	3000	14°	1115
620-6365	SLS420 [N] 6 LED/ 12 W	4000	14°	1115
620-6392	SLS420 [N] 6 LED/ 18 W	3000	14°	1767
620-6395	SLS420 [N] 6 LED/ 18 W	4000	14°	2039
620-6398	SLS420 [N] 6 LED/ 26 W	3000	14°	2260
620-6401	SLS420 [N] 6 LED/ 26 W	4000	14°	2607
620-6362	SLS420 [M] 6 LED/ 12 W	3000	33°	995
620-6363	SLS420 [M] 6 LED/ 12 W	4000	33°	995
620-6391	SLS420 [M] 6 LED/ 18 W	3000	33°	1577
620-6394	SLS420 [M] 6 LED/ 18 W	4000	33°	1820
620-6397	SLS420 [M] 6 LED/ 26 W	3000	33°	2018
620-6400	SLS420 [M] 6 LED/ 26 W	4000	33°	2328
620-6382	SLS420 [N]/[N] 12 LED/ 24 W	3000	14°/14°	2230
620-6383	SLS420 [N]/[N] 12 LED/ 24 W	4000	14°/14°	2230
620-6406	SLS420 [N]/[N] 12 LED/ 36 W	3000	14°/14°	3535
620-6411	SLS420 [N]/[N] 12 LED/ 36 W	4000	14°/14°	4079
620-6416	SLS420 [N]/[N] 12 LED/ 52 W	3000	14°/14°	4521
620-6421	SLS420 [N]/[N] 12 LED/ 52 W	4000	14°/14°	5217
620-6378	SLS420 [N]/[M] 12 LED/ 24 W	3000	14°/33°	2110
620-6379	SLS420 [N]/[M] 12 LED/ 24 W	4000	14°/33°	2110
620-6405	SLS420 [N]/[M] 12 LED/ 36 W	3000	14°/33°	3345
620-6410	SLS420 [N]/[M] 12 LED/ 36 W	4000	14°/33°	3860
620-6415	SLS420 [N]/[M] 12 LED/ 52 W	3000	14°/33°	4279
620-6420	SLS420 [N]/[M] 12 LED/ 52 W	4000	14°/33°	4937
620-6376	SLS420 [M]/[M] 12 LED/ 24 W	3000	33°/33°	1990
620-6377	SLS420 [M]/[M] 12 LED/ 24 W	4000	33°/33°	1990
620-6404	SLS420 [M]/[M] 12 LED/ 36 W	3000	33°/33°	3155
620-6409	SLS420 [M]/[M] 12 LED/ 36 W	4000	33°/33°	3641
620-6414	SLS420 [M]/[M] 12 LED/ 52 W	3000	33°/33°	4036
620-6419	SLS420 [M]/[M] 12 LED/ 52 W	4000	33°/33°	4657



SURFACE MOUNTED WALL LUMINAIRES Return to Table of Contents

PRODUCT ID	LIGHT SOURCE	KELVIN	OPTIC	DELIVERED LUMENS
620-6388	SLS420 [N]/[A60] 12 LED/ 24 W	3000	14°/Type IV	1838
620-6389	SLS420 [N]/[A60] 12 LED/ 24 W	4000	14°/Type IV	1838
620-6403	SLS420 [N]/[A60] 12 LED/ 36 W	3000	14°/Type IV	2915
620-6408	SLS420 [N]/[A60] 12 LED/ 36 W	4000	14°/Type IV	3363
620-6413	SLS420 [N]/[A60] 12 LED/ 52 W	3000	14°/Type IV	3728
620-6418	SLS420 [N]/[A60] 12 LED/ 52 W	4000	14°/Type IV	4301
620-6402	SLS420 [M]/[A60] 12 LED/ 36 W	3000	33°/Type IV	2725
620-6407	SLS420 [M]/[A60] 12 LED/ 36 W	4000	33°/Type IV	3144
620-6412	SLS420 [M]/[A60] 12 LED/ 52 W	3000	33°/Type IV	3485
620-6417	SLS420 [M]/[A60] 12 LED/ 52 W	4000	33°/Type IV	4021
620-6368	SLS420 [A60] 6 LED/ 12 W	3000	Type IV	724
620-6369	SLS420 [A60] 6 LED/ 12 W	4000	Type IV	724
620-6390	SLS420 [A60] 6 LED/ 18 W	3000	Type IV	1147
620-6393	SLS420 [A60] 6 LED/ 18 W	4000	Type IV	1323
620-6396	SLS420 [A60] 6 LED/ 26 W	3000	Type IV	1467
620-6399	SLS420 [A60] 6 LED/ 26 W	4000	Type IV	1693

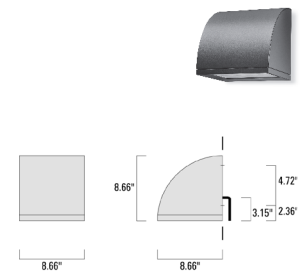
Accessories

620-9341	Column Fitter - for columns $\geq 5 \frac{1}{2}$ " in diameter
----------	--

OLV330 LED

IP65. Surface mounted wallwasher. Suitable for installation over 4" recessed junction box in uplight or downlight position. 120-277V. 0-10V dimming.

PRODUCT ID	LIGHT SOURCE	KELVIN	OPTIC	DELIVERED LUMENS
622-6320	OLV330 [VNS] 12 LED/ 12 W	3000	10°	1428
622-6321	OLV330 [VNS] 12 LED/ 12 W	4000	10°	1428
622-6322	OLV330 [VNS] 12 LED/ 18 W	3000	10°	1961
622-6323	OLV330 [VNS] 12 LED/ 18 W	4000	10°	1961
622-6220	OLV330 [M] 12 LED/ 12 W	3000	32°	1391
622-6221	OLV330 [M] 12 LED/ 12 W	4000	32°	1391
622-6222	OLV330 [M] 12 LED/ 18 W	3000	32°	1910
622-6223	OLV330 [M] 12 LED/ 18 W	4000	32°	1910



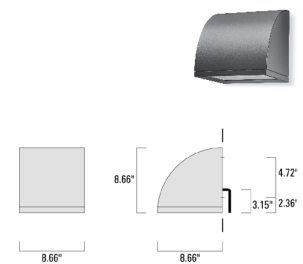
Accessories

622-9321	Surface collar. Surface j-box and conduit by others.
----------	--

OLV334 LED

IP65. Surface mounted wallwasher. Suitable for installation over 4" recessed junction box in uplight or downlight position. 120-277V. 0-10V dimming.

PRODUCT ID	LIGHT SOURCE	KELVIN	OPTIC	DELIVERED LUMENS
622-6020	OLV334 [A60] 12 LED/ 12 W	3000	Type IV	1281
622-6021	OLV334 [A60] 12 LED/ 12 W	4000	Type IV	1281
622-6022	OLV334 [A60] 12 LED/ 24 W	3000	Type IV	2231
622-6023	OLV334 [A60] 12 LED/ 24 W	4000	Type IV	2231
622-6720	OLV334 [R65] 12 LED/ 12 W	3000	Type IV Medium	1210
622-6721	OLV334 [R65] 12 LED/ 12 W	4000	Type IV Medium	1210
622-6722	OLV334 [R65] 12 LED/ 24 W	3000	Type IV Medium	2107
622-6723	OLV334 [R65] 12 LED/ 24 W	4000	Type IV Medium	2107
622-6520	OLV334 [S70] 12 LED/ 12 W	3000	Type II Short	1344
622-6521	OLV334 [S70] 12 LED/ 12 W	4000	Type II Short	1344
622-6522	OLV334 [S70] 12 LED/ 24 W	3000	Type II Short	2341
622-6523	OLV334 [S70] 12 LED/ 24 W	4000	Type II Short	2341



Accessories

622-9321	Surface collar. Surface j-box and conduit by others.
----------	--

SURFACE MOUNTED WALL LUMINAIRES Return to Table of Contents

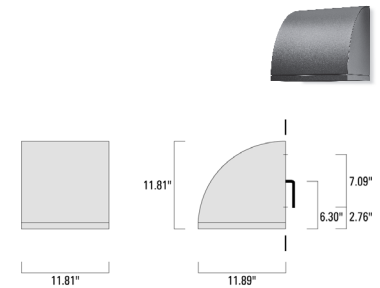
OLV340 LED

IP65. Surface mounted wallwasher. Suitable for installation over 4" recessed junction box in uplight or downlight position. 120-277V. 0-10V dimming.

PRODUCT ID	LIGHT SOURCE	KELVIN	OPTIC	DELIVERED LUMENS
622-7320	OLV340 [VNS] 24 LED/ 24 W	3000	10°	2988
622-7321	OLV340 [VNS] 24 LED/ 24 W	4000	10°	2988
622-7322	OLV340 [VNS] 24 LED/ 36 W	3000	10°	4105
622-7323	OLV340 [VNS] 24 LED/ 36 W	4000	10°	4105
622-7220	OLV340 [M] 24 LED/ 24 W	3000	32°	2805
622-7221	OLV340 [M] 24 LED/ 24 W	4000	32°	2805
622-7222	OLV340 [M] 24 LED/ 36 W	3000	32°	3853
622-7223	OLV340 [M] 24 LED/ 36 W	4000	32°	3853

Accessories

622-9330 Surface collar. Surface j-box and conduit by others.



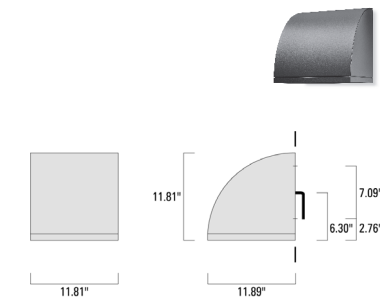
OLV344 LED

IP65. Surface mounted wallwasher. Suitable for installation over 4" recessed junction box in uplight or downlight position. 120-277V. 0-10V dimming.

PRODUCT ID	LIGHT SOURCE	KELVIN	OPTIC	DELIVERED LUMENS
622-7020	OLV344 [A60] 24 LED/ 24 W	3000	Type IV	2562
622-7021	OLV344 [A60] 24 LED/ 24 W	4000	Type IV	2562
622-7022	OLV344 [A60] 24 LED/ 48 W	3000	Type IV	4462
622-7023	OLV344 [A60] 24 LED/ 48 W	4000	Type IV	4462
622-7720	OLV344 [R65] 24 LED/ 24 W	3000	Type IV Medium	2420
622-7721	OLV344 [R65] 24 LED/ 24 W	4000	Type IV Medium	2420
622-7722	OLV344 [R65] 24 LED/ 48 W	3000	Type IV Medium	4215
622-7723	OLV344 [R65] 24 LED/ 48 W	4000	Type IV Medium	4215
622-7520	OLV344 [S70] 24 LED/ 24 W	3000	Type II Short	2689
622-7521	OLV344 [S70] 24 LED/ 24 W	4000	Type II Short	2689
622-7522	OLV344 [S70] 24 LED/ 48 W	3000	Type II Short	4683
622-7523	OLV344 [S70] 24 LED/ 48 W	4000	Type II Short	4683

Accessories

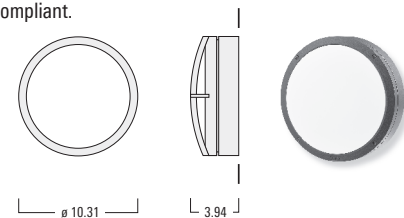
622-9330 Surface collar. Surface j-box and conduit by others.



DLO229 LED

IP55. Surface mounted wall luminaire. Suitable for installation on ceiling or wall over 4" recessed junction box. 120-277V. ADA Compliant.

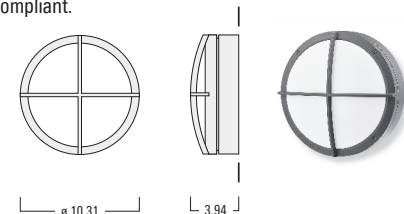
PRODUCT ID	LIGHT SOURCE	KELVIN	OPTIC	DELIVERED LUMENS
621-2421	DLO229 [Diffused] FT- LED/ 12 W	3000	Diffused	1017
621-2422	DLO229 [Diffused] FT- LED/ 12 W	4000	Diffused	1017



DLG229 LED

IP55. Surface mounted wall luminaire. Suitable for installation on ceiling or wall over 4" recessed junction box. 120-277V. ADA Compliant.

PRODUCT ID	LIGHT SOURCE	KELVIN	OPTIC	DELIVERED LUMENS
621-2221	DLG229 [Diffused] FT- LED/ 12 W	3000	Diffused	1017
621-2222	DLG229 [Diffused] FT- LED/ 12 W	4000	Diffused	1017

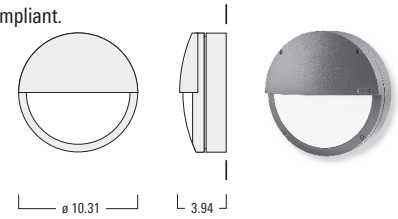


SURFACE MOUNTED WALL LUMINAIRES Return to Table of Contents

DLS229 LED

IP55. Surface mounted wall luminaire. Suitable for installation on ceiling or wall over 4" recessed junction box. 120-277V. ADA Compliant.

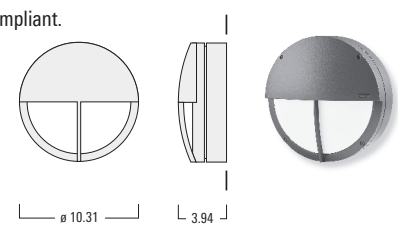
PRODUCT ID	LIGHT SOURCE	KELVIN	OPTIC	DELIVERED LUMENS
621-2521	DLS229 [Diffused] FT- LED/ 12 W	3000	Diffused	714
621-2522	DLS229 [Diffused] FT- LED/ 12 W	4000	Diffused	714



DLB229 LED

IP55. Surface mounted wall luminaire. Suitable for installation on ceiling or wall over 4" recessed junction box. 120-277V. ADA Compliant.

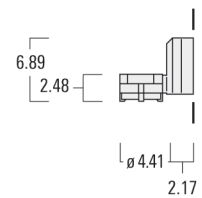
PRODUCT ID	LIGHT SOURCE	KELVIN	OPTIC	DELIVERED LUMENS
621-2121	DLB229 [Diffused] FT- LED/ 12 W	3000	Diffused	714
621-2122	DLB229 [Diffused] FT- LED/ 12 W	4000	Diffused	714



FLC122 LED

IP55. Surface mounted wallwasher. Suitable for installation over 4" recessed junction box in uplight or downlight position. 120-277V. 0-10V dimming.

PRODUCT ID	LIGHT SOURCE	KELVIN	OPTIC	DELIVERED LUMENS
663-2421	FLC122 [VNS] 6 LED/ 12 W	3000	9°	1366
663-2422	FLC122 [VNS] 6 LED/ 12 W	4000	9°	1366
663-2321	FLC122 [VN] 6 LED/ 12 W	3000	14°	1270
663-2324	FLC122 [VN] 6 LED/ 12 W	4000	14°	1270
663-2221	FLC122 [M] 6 LED/ 12 W	3000	31°	1282
663-2222	FLC122 [M] 6 LED/ 12 W	4000	31°	1282
663-2621	FLC122 [W] 6 LED/ 12 W	3000	50°	1143
663-2622	FLC122 [W] 6 LED/ 12 W	4000	50°	1143



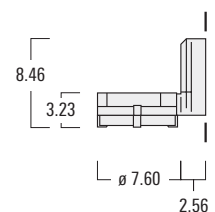
Accessories

665-8129	Linear spread lens IO-180
665-8130	Flood lens IO-360
665-8222	Honeycomb louver IW (*not suitable for [W] beam distribution)
665-9222	Glare shield ES (matte black inside finish)
665-9224	Snoot ET (matte black inside finish)

FLC142 LED

IP55. Surface mounted wallwasher. Suitable for installation over 4" recessed junction box in uplight or downlight position. 120-277V. 0-10V dimming.

PRODUCT ID	LIGHT SOURCE	KELVIN	OPTIC	DELIVERED LUMENS
663-4421	FLC142 [VNS] 24 LED/ 36 W	3000	9°	4105
663-4422	FLC142 [VNS] 24 LED/ 36 W	4000	9°	4105
663-4321	FLC142 [VN] 24 LED/ 36 W	3000	14°	3814
663-4322	FLC142 [VN] 24 LED/ 36 W	4000	14°	3814
663-4221	FLC142 [M] 24 LED/ 36 W	3000	32°	3853
663-4222	FLC142 [M] 24 LED/ 36 W	4000	32°	3853
663-4621	FLC142 [W] 24 LED/ 36 W	3000	50°	3434
663-4622	FLC142 [W] 24 LED/ 36 W	4000	50°	3434



Accessories

665-8145	Flood lens IO-360
665-8149	Linear spread lens IO-180
665-8242	Honeycomb louver IW (*not suitable for [W] beam distribution)
665-9242	Glare shield ES (matte black inside finish)
665-9244	Snoot ET (matte black inside finish)

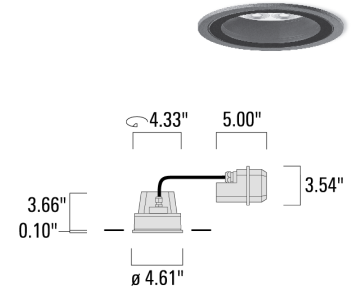
CEILING LUMINAIRES

[Return to Table of Contents](#)

DOC110 LED

IP66. Recessed exterior downlight. Suitable for installation in non-insulated ceiling. Painted finish. 120-277V. 0-10V dimming.

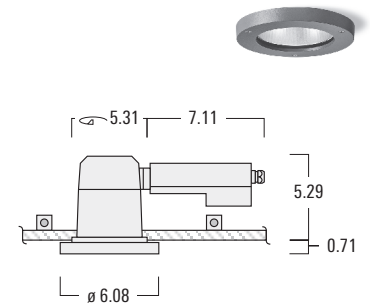
PRODUCT ID	LIGHT SOURCE	KELVIN	OPTIC	DELIVERED LUMENS
630-3926	DOC110 [VNS] 6 LED/ 12 W	3000	9°	1366
630-3927	DOC110 [VNS] 6 LED/ 12 W	4000	9°	1366
630-3924	DOC110 [VN] 6 LED/ 12 W	3000	14°	1270
630-3925	DOC110 [VN] 6 LED/ 12 W	4000	14°	1270
630-3922	DOC110 [M] 6 LED/ 12 W	3000	32°	1282
630-3923	DOC110 [M] 6 LED/ 12 W	4000	32°	1282
630-3920	DOC110 [W] 6 LED/ 12 W	3000	50°	1143
630-3921	DOC110 [W] 6 LED/ 12 W	4000	50°	1143



DOC220 LED

IP66. Recessed exterior downlight. Suitable for installation in non-insulated ceiling. Painted finish. 120-277V. 0-10V dimming.

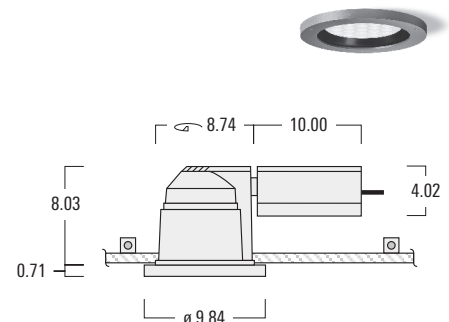
PRODUCT ID	LIGHT SOURCE	KELVIN	OPTIC	DELIVERED LUMENS
630-4024	DOC220 [VNS] 12 LED/ 24 W	3000	10°	2610
630-4026	DOC220 [VNS] 12 LED/ 24 W	4000	10°	2610
630-4126	DOC220 [VN] 12 LED/ 24 W	3000	14°	2445
630-4124	DOC220 [VN] 12 LED/ 24 W	4000	14°	2445
630-4226	DOC220 [M] 12 LED/ 24 W	3000	32°	2543
630-4224	DOC220 [M] 12 LED/ 24 W	4000	32°	2543
630-4354	DOC220 [W] 12 LED/ 24 W	3000	51°	2297
630-4356	DOC220 [W] 12 LED/ 24 W	4000	51°	2297
630-4025	DOC220 [VNS] stainless 12 LED/ 24 W	3000	10°	2610
630-4027	DOC220 [VNS] stainless 12 LED/ 24 W	4000	10°	2610
630-4127	DOC220 [VN] stainless 12 LED/ 24 W	3000	15°	2445
630-4125	DOC220 [VN] stainless 12 LED/ 24 W	4000	15°	2445
630-4227	DOC220 [M] stainless 12 LED/ 24 W	3000	32°	2543
630-4225	DOC220 [M] stainless 12 LED/ 24 W	4000	32°	2543
630-4355	DOC220 [W] stainless 12 LED/ 24 W	3000	51°	2297
630-4357	DOC220 [W] stainless 12 LED/ 24 W	4000	51°	2297



DOC240 LED

IP66. Recessed exterior downlight. Suitable for installation in non-insulated ceiling. Painted finish. 120-277V. 0-10V dimming.

PRODUCT ID	LIGHT SOURCE	KELVIN	OPTIC	DELIVERED LUMENS
630-5132	DOC240 [VNS] 24 LED/ 48 W	3000	10°	5464
630-5133	DOC240 [VNS] 24 LED/ 48 W	4000	10°	5464
630-5138	DOC240 [VN] 24 LED/ 48 W	3000	15°	5077
630-5139	DOC240 [VN] 24 LED/ 48 W	4000	15°	5077
630-5272	DOC240 [M] 24 LED/ 48 W	3000	32°	5129
630-5273	DOC240 [M] 24 LED/ 48 W	4000	32°	5129
630-5322	DOC240 [W] 24 LED/ 48 W	3000	51°	4570
630-5323	DOC240 [W] 24 LED/ 48 W	4000	51°	4570
630-5135	DOC240 [VNS] stainless 24 LED/ 48 W	3000	10°	5464
630-5136	DOC240 [VNS] stainless 24 LED/ 48 W	4000	10°	5464
630-5141	DOC240 [VN] stainless 24 LED/ 48 W	3000	15°	5077
630-5142	DOC240 [VN] stainless 24 LED/ 48 W	4000	15°	5077
630-5275	DOC240 [M] stainless 24 LED/ 48 W	3000	32°	5129
630-5276	DOC240 [M] stainless 24 LED/ 48 W	4000	32°	5129
630-5325	DOC240 [W] stainless 24 LED/ 48 W	3000	51°	4570
630-5326	DOC240 [W] stainless 24 LED/ 48 W	4000	51°	4570



CEILING LUMINAIRES Return to Table of Contents

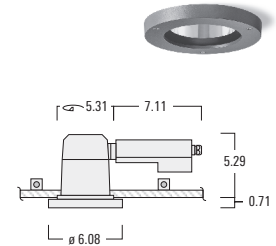
Accessories

630-8138	Linear spread lens IO-180
630-9323	Installation blockout for concrete pour applications

DOC220 LED-FT

IP66. Darklight feature. Recessed exterior downlight. Suitable for installation in non-insulated ceiling. Painted finish. 120-277V. 0-10V dimming.

PRODUCT ID	LIGHT SOURCE	KELVIN	OPTIC	DELIVERED LUMENS
630-4338	DOC220-FT [WD] FT- LED/ W	3000	49°	2267
630-4340	DOC220-FT [WD] FT- LED/ W	4000	49°	2365
630-4339	DOC220-FT [WD] stainless FT- LED/ W	3000	49°	2267
630-4341	DOC220-FT [WD] stainless FT- LED/ W	4000	49°	2365



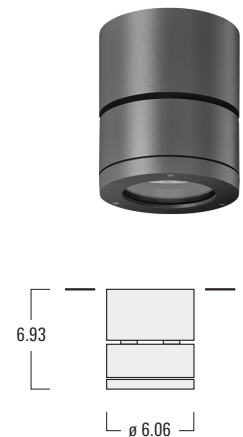
Accessories

630-9312	Installation blockout for concrete pour applications (*not suitable for [WD] distribution)
----------	--

DAC220 LED

IP65. Surface mounted exterior downlight. Suitable for installation over recessed junction box. 120-277V. 0-10V dimming.

PRODUCT ID	LIGHT SOURCE	KELVIN	OPTIC	DELIVERED LUMENS
630-1020	DAC220 [VNS] 12 LED/ 24 W	3000	10°	2610
630-1021	DAC220 [VNS] 12 LED/ 24 W	4000	10°	2610
630-1120	DAC220 [VN] 12 LED/ 24 W	3000	15°	2445
630-1121	DAC220 [VN] 12 LED/ 24 W	4000	15°	2445
630-1220	DAC220 [M] 12 LED/ 24 W	3000	32°	2543
630-1221	DAC220 [M] 12 LED/ 24 W	4000	32°	2543
630-1320	DAC220 [W] 12 LED/ 24 W	3000	51°	2297
630-1321	DAC220 [W] 12 LED/ 24 W	4000	51°	2297



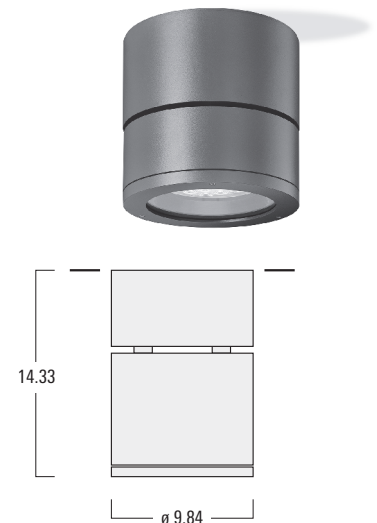
Accessories

630-8129	Flood lens IO-360
630-8128	Linear Spread lens IO-180
630-8212	Honeycomb louver IW
630-8130	Wallwash lens IO-20 for symmetric [M] medium beam luminaire only

DAC240 LED

IP65. Surface mounted exterior downlight. Suitable for installation over recessed junction box. 120-277V. 0-10V dimming.

PRODUCT ID	LIGHT SOURCE	KELVIN	OPTIC	DELIVERED LUMENS
630-2020	DAC240 [VNS] 24 LED/ 48 W	3000	9°	5464
630-2021	DAC240 [VNS] 24 LED/ 48 W	4000	9°	5464
630-2120	DAC240 [VN] 24 LED/ 48 W	3000	14°	5077
630-2121	DAC240 [VN] 24 LED/ 48 W	4000	14°	5077
630-2220	DAC240 [M] 24 LED/ 48 W	3000	32°	5129
630-2221	DAC240 [M] 24 LED/ 48 W	4000	32°	5129
630-2320	DAC240 [W] 24 LED/ 48 W	3000	50°	4570
630-2321	DAC240 [W] 24 LED/ 48 W	4000	50°	4570



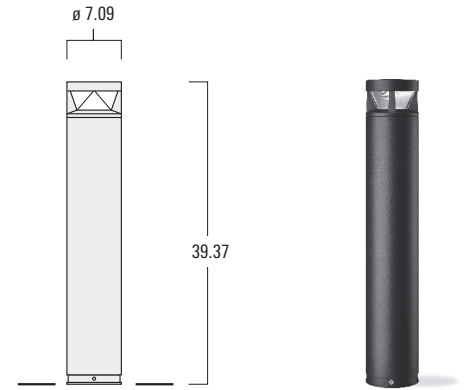
BOLLARD & PATHWAY LUMINAIRES

[Return to Table of Contents](#)

KTY234 LED

IP66. Bollard with shielded light source. Suitable for installation in landscaped areas or on concrete foundations. Anchor bolts supplied with all bollards. 120-277V.

PRODUCT ID	LIGHT SOURCE	KELVIN	OPTIC	DELIVERED LUMENS
638-6625	KTY234 [C60] 2 FT 6 LED/ 18 W	3000	Controlled Symmetric	748
638-6626	KTY234 [C60] 2 FT 6 LED/ 18 W	4000	Controlled Symmetric	863
638-6627	KTY234 [C60] 2 FT 6 LED/ 26 W	3000	Controlled Symmetric	957
638-6628	KTY234 [C60] 2 FT 6 LED/ 26 W	4000	Controlled Symmetric	1104
638-6635	KTY234 [C60] 3.3 FT 6 LED/ 18 W	3000	Controlled Symmetric	748
638-6636	KTY234 [C60] 3.3 FT 6 LED/ 18 W	4000	Controlled Symmetric	863
638-6637	KTY234 [C60] 3.3 FT 6 LED/ 26 W	3000	Controlled Symmetric	957
638-6638	KTY234 [C60] 3.3 FT 6 LED/ 26 W	4000	Controlled Symmetric	1104
638-6621	KTY234 [R65] 2 FT 3 LED/ 9 W	3000	Type IV Medium	471
638-6622	KTY234 [R65] 2 FT 3 LED/ 9 W	4000	Type IV Medium	544
638-6623	KTY234 [R65] 2 FT 3 LED/ 13 W	3000	Type IV Medium	603
638-6624	KTY234 [R65] 2 FT 3 LED/ 13 W	4000	Type IV Medium	696
638-6631	KTY234 [R65] 3.3 FT 3 LED/ 9 W	3000	Type IV Medium	471
638-6632	KTY234 [R65] 3.3 FT 3 LED/ 9 W	4000	Type IV Medium	544
638-6633	KTY234 [R65] 3.3 FT 3 LED/ 13 W	3000	Type IV Medium	603
638-6634	KTY234 [R65] 3.3 FT 3 LED/ 13 W	4000	Type IV Medium	696



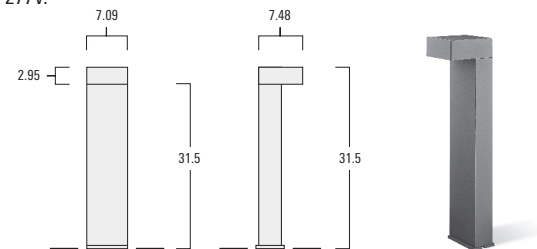
Accessories

665-9302	ESV Planted root
----------	------------------

PSY414 LED

IP66, Class I. IK10. Marine-grade, die-cast aluminium alloy. 5CE superior corrosion protection including PCS hardware. Silicone CCG® Controlled Compression Gasket. Polycarbonate main lens. Integral EC electronic converter in thermally-separated compartment. CAD-optimised optics for superior illumination and glare control. Factory installed LED circuit board. Pre-wired post complete with cable connecting box and fuse for mains connection. Anchor bolts supplied with all bollards. 120-277V.

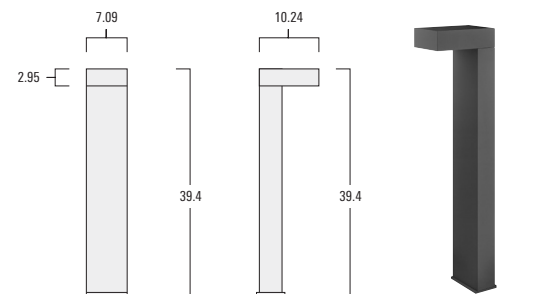
PRODUCT ID	LIGHT SOURCE	KELVIN	OPTIC	DELIVERED LUMENS
637-5620	PSY414 [R45] 3 LED/ 6 W	3000	Type II Short	552
637-5621	PSY414 [R45] 3 LED/ 6 W	4000	Type II Short	552
637-5622	PSY414 [R45] 3 LED/ 9 W	3000	Type II Short	865
637-5623	PSY414 [R45] 3 LED/ 9 W	4000	Type II Short	998
637-5624	PSY414 [R45] 3 LED/ 12 W	3000	Type II Short	1106
637-5625	PSY414 [R45] 3 LED/ 12 W	4000	Type II Short	1277



PSY424 LED

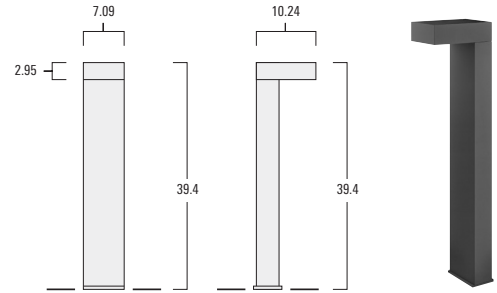
IP66, Class I. IK10. Marine-grade, die-cast aluminium alloy. 5CE superior corrosion protection including PCS hardware. Silicone CCG® Controlled Compression Gasket. Polycarbonate main lens. Integral EC electronic converter in thermally-separated compartment. CAD-optimised optics for superior illumination and glare control. Factory installed LED circuit board. Pre-wired post complete with cable connecting box and fuse for mains connection. Anchor bolts supplied with all bollards. 120-277V.

PRODUCT ID	LIGHT SOURCE	KELVIN	OPTIC	DELIVERED LUMENS
637-5420	PSY424 [A60] 6 LED/ 12 W	3000	Type IV Very Short	1208
637-5421	PSY424 [A60] 6 LED/ 12 W	4000	Type IV Very Short	1208
637-5422	PSY424 [A60] 6 LED/ 18 W	3000	Type IV Very Short	1758
637-5423	PSY424 [A60] 6 LED/ 18 W	4000	Type IV Very Short	2028
637-5424	PSY424 [A60] 6 LED/ 26 W	3000	Type IV Very Short	2248
637-5425	PSY424 [A60] 6 LED/ 26 W	4000	Type IV Very Short	2593
637-5520	PSY424 [R65] 6 LED/ 12 W	3000	Type IV Medium	1043
637-5521	PSY424 [R65] 6 LED/ 12 W	4000	Type IV Medium	1043
637-5523	PSY424 [R65] 6 LED/ 18 W	4000	Type IV Medium	1107
637-5522	PSY424 [R65] 6 LED/ 18 W	3000	Type IV Medium	1939
637-5524	PSY424 [R65] 6 LED/ 26 W	3000	Type IV Medium	2215



BOLLARD & PATHWAY LUMINAIRES Return to Table of Contents

PRODUCT ID	LIGHT SOURCE	KELVIN	OPTIC	DELIVERED LUMENS
637-5525	PSY424 [R65] 6 LED/ 26 W	4000	Type IV Medium	2556
637-5220	PSY424 [S70] 6 LED/ 12 W	3000	Type II Short	1160
637-5221	PSY424 [S70] 6 LED/ 12 W	4000	Type II Short	1160
637-5222	PSY424 [S70] 6 LED/ 18 W	3000	Type II Short	1939
637-5223	PSY424 [S70] 6 LED/ 18 W	4000	Type II Short	2237
637-5224	PSY424 [S70] 6 LED/ 26 W	3000	Type II Short	2480
637-5225	PSY424 [S70] 6 LED/ 26 W	4000	Type II Short	2861

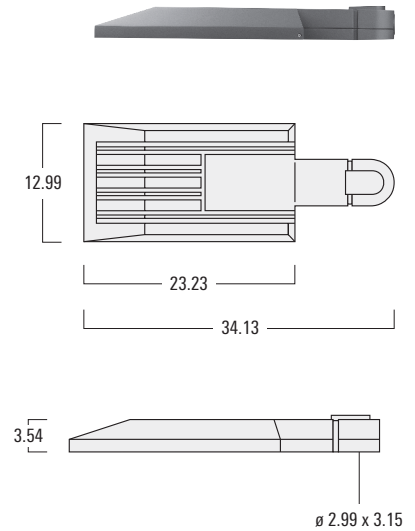


STREET & AREA LIGHTING Return to Table of Contents

PFL540 LED

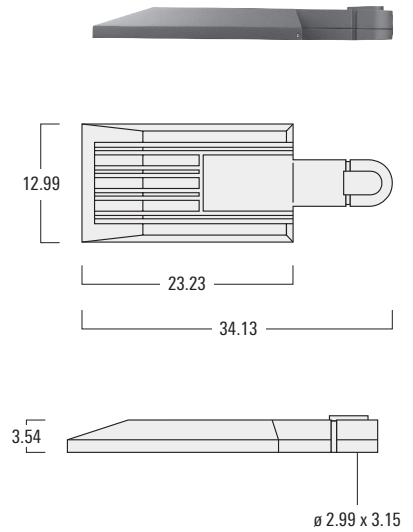
IP66. Pole mounted LED luminaire. Integrated heat sinks. Easy removal and replacement of LED board. CAD-optimized OLC® PMMA lens for multi-layer illumination and superior glare control. 120-277V.

PRODUCT ID	LIGHT SOURCE	KELVIN	OPTIC	DELIVERED LUMENS
660-1424	PFL540 [A60] 24 LED/ 48 W	3000	Type IV Very Short	4876
660-1420	PFL540 [A60] 24 LED/ 48 W	4000	Type IV Very Short	4876
660-1425	PFL540 [A60] 36 LED/ 72 W	3000	Type IV Very Short	7314
660-1421	PFL540 [A60] 36 LED/ 72 W	4000	Type IV Very Short	7314
660-1427	PFL540 [A60] 24 LED/ 72 W	3000	Type IV Very Short	7715
660-1417	PFL540 [A60] 24 LED/ 72 W	4000	Type IV Very Short	8902
660-1426	PFL540 [A60] 48 LED/ 96 W	3000	Type IV Very Short	9751
660-1422	PFL540 [A60] 48 LED/ 96 W	4000	Type IV Very Short	9751
660-1428	PFL540 [A60] 36 LED/ 108 W	3000	Type IV Very Short	11572
660-1418	PFL540 [A60] 36 LED/ 108 W	4000	Type IV Very Short	13353
660-1429	PFL540 [A60] 48 LED/ 144 W	3000	Type IV Very Short	15430
660-1419	PFL540 [A60] 48 LED/ 144 W	4000	Type IV Very Short	17804
660-4526	PFL540 [R65] 24 LED/ 48 W	3000	Type IV Medium	4995
660-4520	PFL540 [R65] 24 LED/ 48 W	4000	Type IV Medium	4995
660-4527	PFL540 [R65] 36 LED/ 72 W	3000	Type IV Medium	7492
660-4521	PFL540 [R65] 36 LED/ 72 W	4000	Type IV Medium	7492
660-4529	PFL540 [R65] 24 LED/ 72 W	3000	Type IV Medium	7891
660-4523	PFL540 [R65] 24 LED/ 72 W	4000	Type IV Medium	9105
660-4528	PFL540 [R65] 48 LED/ 96 W	3000	Type IV Medium	9989
660-4522	PFL540 [R65] 48 LED/ 96 W	4000	Type IV Medium	9989
660-4530	PFL540 [R65] 36 LED/ 108 W	3000	Type IV Medium	11836
660-4524	PFL540 [R65] 36 LED/ 108 W	4000	Type IV Medium	13657
660-4531	PFL540 [R65] 48 LED/ 144 W	3000	Type IV Medium	15781
660-4525	PFL540 [R65] 48 LED/ 144 W	4000	Type IV Medium	18209
660-2424	PFL540 [S60] 24 LED/ 48 W	3000	Type III Short	5317
660-2420	PFL540 [S60] 24 LED/ 48 W	4000	Type III Short	5317
660-2425	PFL540 [S60] 36 LED/ 72 W	3000	Type III Short	7975
660-2421	PFL540 [S60] 36 LED/ 72 W	4000	Type III Short	7975
660-2427	PFL540 [S60] 24 LED/ 72 W	3000	Type III Short	8344
660-2417	PFL540 [S60] 24 LED/ 72 W	4000	Type III Short	9628
660-2426	PFL540 [S60] 48 LED/ 96 W	3000	Type III Short	10633
660-2422	PFL540 [S60] 48 LED/ 96 W	4000	Type III Short	10633
660-2428	PFL540 [S60] 36 LED/ 108 W	3000	Type III Short	12517
660-2418	PFL540 [S60] 36 LED/ 108 W	4000	Type III Short	14442
660-2429	PFL540 [S60] 48 LED/ 144 W	3000	Type III Short	16689
660-2419	PFL540 [S60] 48 LED/ 144 W	4000	Type III Short	19256
660-4426	PFL540 [S65] 24 LED/ 48 W	3000	Type III Medium	5366
660-4420	PFL540 [S65] 24 LED/ 48 W	4000	Type III Medium	5366
660-4427	PFL540 [S65] 36 LED/ 72 W	3000	Type III Medium	8049
660-4421	PFL540 [S65] 36 LED/ 72 W	4000	Type III Medium	8049
660-4429	PFL540 [S65] 24 LED/ 72 W	3000	Type III Medium	8508
660-4423	PFL540 [S65] 24 LED/ 72 W	4000	Type III Medium	9817
660-4428	PFL540 [S65] 48 LED/ 96 W	3000	Type III Medium	10732
660-4422	PFL540 [S65] 48 LED/ 96 W	4000	Type III Medium	10732
660-4430	PFL540 [S65] 36 LED/ 108 W	3000	Type III Medium	12762
660-4424	PFL540 [S65] 36 LED/ 108 W	4000	Type III Medium	14725
660-4431	PFL540 [S65] 48 LED/ 144 W	3000	Type III Medium	17016
660-4425	PFL540 [S65] 48 LED/ 144 W	4000	Type III Medium	19633
660-3423	PFL540 [S70] 24 LED/ 48 W	3000	Type II Short	5225



STREET & AREA LIGHTING Return to Table of Contents

PRODUCT ID	LIGHT SOURCE	KELVIN	OPTIC	DELIVERED LUMENS
660-3419	PFL540 [S70] 24 LED/ 48 W	4000	Type II Short	5225
660-3424	PFL540 [S70] 36 LED/ 72 W	3000	Type II Short	7837
660-3420	PFL540 [S70] 36 LED/ 72 W	4000	Type II Short	7837
660-3426	PFL540 [S70] 24 LED/ 72 W	3000	Type II Short	8214
660-3416	PFL540 [S70] 24 LED/ 72 W	4000	Type II Short	9478
660-3425	PFL540 [S70] 48 LED/ 96 W	3000	Type II Short	10450
660-3421	PFL540 [S70] 48 LED/ 96 W	4000	Type II Short	10450
660-3427	PFL540 [S70] 36 LED/ 108 W	3000	Type II Short	12322
660-3417	PFL540 [S70] 36 LED/ 108 W	4000	Type II Short	14217
660-3428	PFL540 [S70] 48 LED/ 144 W	3000	Type II Short	16429
660-3418	PFL540 [S70] 48 LED/ 144 W	4000	Type II Short	18956
660-5420	PFL540 [P45L] 36 LED/ 72 W	3000	Left Skew	7741
660-5422	PFL540 [P45L] 36 LED/ 72 W	4000	Left Skew	7741
660-5424	PFL540 [P45L] 48 LED/ 96 W	3000	Left Skew	10321
660-5426	PFL540 [P45L] 48 LED/ 96 W	4000	Left Skew	10321
660-5428	PFL540 [P45L] 36 LED/ 108 W	3000	Left Skew	11834
660-5430	PFL540 [P45L] 36 LED/ 108 W	4000	Left Skew	13654
660-5432	PFL540 [P45L] 48 LED/ 144 W	3000	Left Skew	15778
660-5434	PFL540 [P45L] 48 LED/ 144 W	4000	Left Skew	18206
660-5421	PFL540 [P45R] 36 LED/ 72 W	3000	Right Skew	7649
660-5423	PFL540 [P45R] 36 LED/ 72 W	4000	Right Skew	7649
660-5425	PFL540 [P45R] 48 LED/ 96 W	3000	Right Skew	10198
660-5427	PFL540 [P45R] 48 LED/ 96 W	4000	Right Skew	10198
660-5429	PFL540 [P45R] 36 LED/ 108 W	3000	Right Skew	11884
660-5431	PFL540 [P45R] 36 LED/ 108 W	4000	Right Skew	13713
660-5433	PFL540 [P45R] 48 LED/ 144 W	3000	Right Skew	15846
660-5435	PFL540 [P45R] 48 LED/ 144 W	4000	Right Skew	18284



Accessories

661-9360	RV0 wall bracket
661-9361	RV2 pole bracket for (2) luminaires
661-9362	RV5 lateral pole mounting bracket

STREET & AREA LIGHTING Return to Table of Contents

VFL520 LED

IP66. Pole mounted LED luminaire. Integrated heat sinks. Easy removal and replacement of LED board. CAD-optimized OLC® PMMA lens for multi-layer illumination and superior glare control. 120-277V.

PRODUCT ID	LIGHT SOURCE	KELVIN	OPTIC	DELIVERED LUMENS
661-7421	VFL520 [A60] 12 LED/ 12 W	3000	Type IV Very Short	1419
661-7422	VFL520 [A60] 12 LED/ 12 W	4000	Type IV Very Short	1419
661-7423	VFL520 [A60] 12 LED/ 24 W	3000	Type IV Very Short	2501
661-7424	VFL520 [A60] 12 LED/ 24 W	4000	Type IV Very Short	2501
661-7521	VFL520 [R65] 12 LED/ 12 W	3000	Type IV Medium	1450
661-7522	VFL520 [R65] 12 LED/ 12 W	4000	Type IV Medium	1450
661-7523	VFL520 [R65] 12 LED/ 24 W	3000	Type IV Medium	2555
661-7524	VFL520 [R65] 12 LED/ 24 W	4000	Type IV Medium	2555
661-7321	VFL520 [S60] 12 LED/ 12 W	3000	Type III Short	1495
661-7322	VFL520 [S60] 12 LED/ 12 W	4000	Type III Short	1495
661-7323	VFL520 [S60] 12 LED/ 24 W	3000	Type III Short	2675
661-7324	VFL520 [S60] 12 LED/ 24 W	4000	Type III Short	2675
661-7121	VFL520 [S65] 12 LED/ 12 W	3000	Type III Medium	1514
661-7122	VFL520 [S65] 12 LED/ 12 W	4000	Type III Medium	1514
661-7123	VFL520 [S65] 12 LED/ 24 W	3000	Type III Medium	2723

PRODUCT ID	LIGHT SOURCE	KELVIN	OPTIC	DELIVERED LUMENS
661-7124	VFL520 [S65] 12 LED/ 24 W	4000	Type III Medium	2723
661-7221	VFL520 [S70] 12 LED/ 12 W	3000	Type II Short	1488
661-7222	VFL520 [S70] 12 LED/ 12 W	4000	Type II Short	1488
661-7223	VFL520 [S70] 12 LED/ 24 W	3000	Type II Short	2655
661-7224	VFL520 [S70] 12 LED/ 24 W	4000	Type II Short	2655
661-7721	VFL520 [P65] 12 LED/ 12 W	3000	Type II Medium	1482
661-7722	VFL520 [P65] 12 LED/ 12 W	4000	Type II Medium	1482
661-7723	VFL520 [P65] 12 LED/ 24 W	3000	Type II Medium	2648
661-7724	VFL520 [P65] 12 LED/ 24 W	4000	Type II Medium	2648

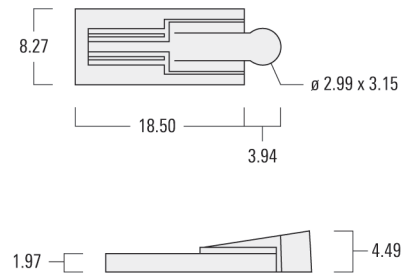
Accessories

661-9360	RV0 wall bracket
661-9361	RV2 pole bracket for (2) luminaires
661-9362	RV5 lateral pole mounting bracket

VFL530 LED

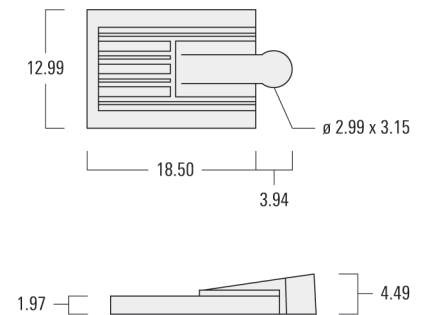
IP66. Pole mounted LED luminaire. Integrated heat sinks. Easy removal and replacement of LED board. CAD-optimized OLC® PMMA lens for multi-layer illumination and superior glare control. 120-277V.

PRODUCT ID	LIGHT SOURCE	KELVIN	OPTIC	DELIVERED LUMENS
661-5430	VFL530 [A60] 12 LED/ 12 W	3000	Type IV Very Short	1411
661-5424	VFL530 [A60] 12 LED/ 12 W	4000	Type IV Very Short	1411
661-5427	VFL530 [A60] 12 LED/ 24 W	3000	Type IV Very Short	2449
661-5421	VFL530 [A60] 12 LED/ 24 W	4000	Type IV Very Short	2449
661-5431	VFL530 [A60] 24 LED/ 24 W	3000	Type IV Very Short	2822
661-5425	VFL530 [A60] 24 LED/ 24 W	4000	Type IV Very Short	2822
661-5428	VFL530 [A60] 24 LED/ 48 W	3000	Type IV Very Short	4898
661-5422	VFL530 [A60] 24 LED/ 48 W	4000	Type IV Very Short	4898
661-5450	VFL530 [A60] 24 LED/ 72 W	3000	Type IV Very Short	7715
661-5452	VFL530 [A60] 24 LED/ 72 W	4000	Type IV Very Short	8902
661-5530	VFL530 [R65] 12 LED/ 12 W	3000	Type IV Medium	1451
661-5524	VFL530 [R65] 12 LED/ 12 W	4000	Type IV Medium	1451
661-5527	VFL530 [R65] 12 LED/ 24 W	3000	Type IV Medium	2482



STREET & AREA LIGHTING Return to Table of Contents

PRODUCT ID	LIGHT SOURCE	KELVIN	OPTIC	DELIVERED LUMENS
661-5521	VFL530 [R65] 12 LED/ 24 W	4000	Type IV Medium	2482
661-5531	VFL530 [R65] 24 LED/ 24 W	3000	Type IV Medium	2902
661-5525	VFL530 [R65] 24 LED/ 24 W	4000	Type IV Medium	2902
661-5528	VFL530 [R65] 24 LED/ 48 W	3000	Type IV Medium	4965
661-5522	VFL530 [R65] 24 LED/ 48 W	4000	Type IV Medium	4965
661-5550	VFL530 [R65] 24 LED/ 72 W	3000	Type IV Medium	7891
661-5552	VFL530 [R65] 24 LED/ 72 W	4000	Type IV Medium	9105
661-5330	VFL530 [S60] 12 LED/ 12 W	3000	Type III Short	1497
661-5324	VFL530 [S60] 12 LED/ 12 W	4000	Type III Short	1497
661-5327	VFL530 [S60] 12 LED/ 24 W	3000	Type III Short	2647
661-5321	VFL530 [S60] 12 LED/ 24 W	4000	Type III Short	2647
661-5331	VFL530 [S60] 24 LED/ 24 W	3000	Type III Short	2994
661-5325	VFL530 [S60] 24 LED/ 24 W	4000	Type III Short	2994
661-5328	VFL530 [S60] 24 LED/ 48 W	3000	Type III Short	5294
661-5322	VFL530 [S60] 24 LED/ 48 W	4000	Type III Short	5294
661-5350	VFL530 [S60] 24 LED/ 72 W	3000	Type III Short	8344
661-5352	VFL530 [S60] 24 LED/ 72 W	4000	Type III Short	9628
661-5130	VFL530 [S65] 12 LED/ 12 W	3000	Type III Medium	1518
661-5124	VFL530 [S65] 12 LED/ 12 W	4000	Type III Medium	1518
661-5127	VFL530 [S65] 12 LED/ 24 W	3000	Type III Medium	2676
661-5121	VFL530 [S65] 12 LED/ 24 W	4000	Type III Medium	2676
661-5131	VFL530 [S65] 24 LED/ 24 W	3000	Type III Medium	3036
661-5125	VFL530 [S65] 24 LED/ 24 W	4000	Type III Medium	3036
661-5128	VFL530 [S65] 24 LED/ 48 W	3000	Type III Medium	5353
661-5122	VFL530 [S65] 24 LED/ 48 W	4000	Type III Medium	5353
661-5150	VFL530 [S65] 24 LED/ 72 W	3000	Type III Medium	8508
661-5152	VFL530 [S65] 24 LED/ 72 W	4000	Type III Medium	9817
661-5230	VFL530 [S70] 12 LED/ 12 W	3000	Type II Short	1493
661-5224	VFL530 [S70] 12 LED/ 12 W	4000	Type II Short	1493
661-5227	VFL530 [S70] 12 LED/ 24 W	3000	Type II Short	2621
661-5221	VFL530 [S70] 12 LED/ 24 W	4000	Type II Short	2621
661-5231	VFL530 [S70] 24 LED/ 24 W	3000	Type II Short	2985
661-5225	VFL530 [S70] 24 LED/ 24 W	4000	Type II Short	2985
661-5228	VFL530 [S70] 24 LED/ 48 W	3000	Type II Short	5242
661-5222	VFL530 [S70] 24 LED/ 48 W	4000	Type II Short	5242
661-5250	VFL530 [S70] 24 LED/ 72 W	3000	Type II Short	8214
661-5252	VFL530 [S70] 24 LED/ 72 W	4000	Type II Short	9478
661-5730	VFL530 [P65] 12 LED/ 12 W	3000	Type II Medium	1482
661-5724	VFL530 [P65] 12 LED/ 12 W	4000	Type II Medium	1482
661-5727	VFL530 [P65] 12 LED/ 24 W	3000	Type II Medium	2648
661-5721	VFL530 [P65] 12 LED/ 24 W	4000	Type II Medium	2648
661-5731	VFL530 [P65] 24 LED/ 24 W	3000	Type II Medium	2965
661-5725	VFL530 [P65] 24 LED/ 24 W	4000	Type II Medium	2965
661-5728	VFL530 [P65] 24 LED/ 48 W	3000	Type II Medium	5296
661-5722	VFL530 [P65] 24 LED/ 48 W	4000	Type II Medium	5296
661-5750	VFL530 [P65] 24 LED/ 72 W	3000	Type II Medium	8507
661-5752	VFL530 [P65] 24 LED/ 72 W	4000	Type II Medium	9815



Accessories

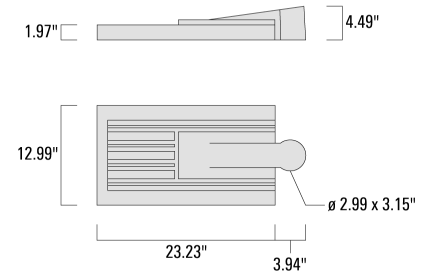
661-9360	RV0 wall bracket
661-9361	RV2 pole bracket for (2) luminaires
661-9362	RV5 lateral pole mounting bracket

STREET & AREA LIGHTING Return to Table of Contents

VFL540 LED

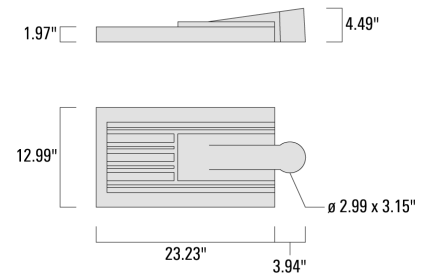
IP66. Pole mounted LED luminaire. Integrated heat sinks. Easy removal and replacement of LED board. CAD-optimized OLC® PMMA lens for multi-layer illumination and superior glare control. 120-277V.

PRODUCT ID	LIGHT SOURCE	KELVIN	OPTIC	DELIVERED LUMENS
661-6431	VFL540 [A60] 24 LED/ 24 W	3000	Type IV Very Short	2822
661-6425	VFL540 [A60] 24 LED/ 24 W	4000	Type IV Very Short	2822
661-6432	VFL540 [A60] 36 LED/ 36 W	3000	Type IV Very Short	4232
661-6426	VFL540 [A60] 36 LED/ 36 W	4000	Type IV Very Short	4232
661-6428	VFL540 [A60] 24 LED/ 48 W	3000	Type IV Very Short	4876
661-6422	VFL540 [A60] 24 LED/ 48 W	4000	Type IV Very Short	4876
661-6436	VFL540 [A60] 42 LED/ 42 W	3000	Type IV Very Short	4938
661-6435	VFL540 [A60] 42 LED/ 42 W	4000	Type IV Very Short	4938
661-6429	VFL540 [A60] 36 LED/ 72 W	3000	Type IV Very Short	7314
661-6423	VFL540 [A60] 36 LED/ 72 W	4000	Type IV Very Short	7314
661-6434	VFL540 [A60] 42 LED/ 84 W	3000	Type IV Very Short	8532
661-6433	VFL540 [A60] 42 LED/ 84 W	4000	Type IV Very Short	8532
661-6462	VFL540 [A60] 36 LED/ 108 W	3000	Type IV Very Short	11572
661-6464	VFL540 [A60] 36 LED/ 108 W	4000	Type IV Very Short	13353
661-6466	VFL540 [A60] 42 LED/ 126 W	3000	Type IV Very Short	13501
661-6468	VFL540 [A60] 42 LED/ 126 W	4000	Type IV Very Short	15578
661-6531	VFL540 [R65] 24 LED/ 24 W	3000	Type IV Medium	2883
661-6525	VFL540 [R65] 24 LED/ 24 W	4000	Type IV Medium	2883
661-6532	VFL540 [R65] 36 LED/ 36 W	3000	Type IV Medium	4324
661-6526	VFL540 [R65] 36 LED/ 36 W	4000	Type IV Medium	4324
661-6528	VFL540 [R65] 24 LED/ 48 W	3000	Type IV Medium	4995
661-6522	VFL540 [R65] 24 LED/ 48 W	4000	Type IV Medium	4995
661-6536	VFL540 [R65] 42 LED/ 42 W	3000	Type IV Medium	5045
661-6535	VFL540 [R65] 42 LED/ 42 W	4000	Type IV Medium	5045
661-6529	VFL540 [R65] 36 LED/ 72 W	3000	Type IV Medium	7492
661-6523	VFL540 [R65] 36 LED/ 72 W	4000	Type IV Medium	7492
661-6534	VFL540 [R65] 42 LED/ 84 W	3000	Type IV Medium	8740
661-6533	VFL540 [R65] 42 LED/ 84 W	4000	Type IV Medium	8740
661-6662	VFL540 [R65] 36 LED/ 108 W	3000	Type IV Medium	11836
661-6664	VFL540 [R65] 36 LED/ 108 W	4000	Type IV Medium	13657
661-6666	VFL540 [R65] 42 LED/ 126 W	3000	Type IV Medium	13809
661-6668	VFL540 [R65] 42 LED/ 126 W	4000	Type IV Medium	15933
661-6331	VFL540 [S60] 24 LED/ 24 W	3000	Type III Short	3030
661-6325	VFL540 [S60] 24 LED/ 24 W	4000	Type III Short	3030
661-6332	VFL540 [S60] 36 LED/ 36 W	3000	Type III Short	4545
661-6326	VFL540 [S60] 36 LED/ 36 W	4000	Type III Short	4545
661-6336	VFL540 [S60] 42 LED/ 42 W	3000	Type III Short	5303
661-6335	VFL540 [S60] 42 LED/ 42 W	4000	Type III Short	5303
661-6328	VFL540 [S60] 24 LED/ 48 W	3000	Type III Short	5317
661-6322	VFL540 [S60] 24 LED/ 48 W	4000	Type III Short	5317
661-6329	VFL540 [S60] 36 LED/ 72 W	3000	Type III Short	7975
661-6323	VFL540 [S60] 36 LED/ 72 W	4000	Type III Short	7975
661-6334	VFL540 [S60] 42 LED/ 84 W	3000	Type III Short	9303
661-6333	VFL540 [S60] 42 LED/ 84 W	4000	Type III Short	9303
661-6362	VFL540 [S60] 36 LED/ 108 W	3000	Type III Short	12517
661-6364	VFL540 [S60] 36 LED/ 108 W	4000	Type III Short	14442
661-6366	VFL540 [S60] 42 LED/ 126 W	3000	Type III Short	14603
661-6368	VFL540 [S60] 42 LED/ 126 W	4000	Type III Short	16849



STREET & AREA LIGHTING Return to Table of Contents

PRODUCT ID	LIGHT SOURCE	KELVIN	OPTIC	DELIVERED LUMENS
661-6131	VFL540 [S65] 24 LED/ 24 W	3000	Type III Medium	3035
661-6125	VFL540 [S65] 24 LED/ 24 W	4000	Type III Medium	3035
661-6132	VFL540 [S65] 36 LED/ 36 W	3000	Type III Medium	4553
661-6126	VFL540 [S65] 36 LED/ 36 W	4000	Type III Medium	4553
661-6136	VFL540 [S65] 42 LED/ 42 W	3000	Type III Medium	5312
661-6135	VFL540 [S65] 42 LED/ 42 W	4000	Type III Medium	5312
661-6128	VFL540 [S65] 24 LED/ 48 W	3000	Type III Medium	5366
661-6122	VFL540 [S65] 24 LED/ 48 W	4000	Type III Medium	5366
661-6129	VFL540 [S65] 36 LED/ 72 W	3000	Type III Medium	8049
661-6123	VFL540 [S65] 36 LED/ 72 W	4000	Type III Medium	8049
661-6134	VFL540 [S65] 42 LED/ 84 W	3000	Type III Medium	9390
661-6133	VFL540 [S65] 42 LED/ 84 W	4000	Type III Medium	9390
661-6162	VFL540 [S65] 36 LED/ 108 W	3000	Type III Medium	12762
661-6164	VFL540 [S65] 36 LED/ 108 W	4000	Type III Medium	14725
661-6166	VFL540 [S65] 42 LED/ 126 W	3000	Type III Medium	14889
661-6168	VFL540 [S65] 42 LED/ 126 W	4000	Type III Medium	17179
661-6231	VFL540 [S70] 24 LED/ 24 W	3000	Type II Short	2970
661-6225	VFL540 [S70] 24 LED/ 24 W	4000	Type II Short	2970
661-6232	VFL540 [S70] 36 LED/ 36 W	3000	Type II Short	4455
661-6226	VFL540 [S70] 36 LED/ 36 W	4000	Type II Short	4455
661-6236	VFL540 [S70] 42 LED/ 42 W	3000	Type II Short	5198
661-6235	VFL540 [S70] 42 LED/ 42 W	4000	Type II Short	5198
661-6228	VFL540 [S70] 24 LED/ 48 W	3000	Type II Short	5225
661-6222	VFL540 [S70] 24 LED/ 48 W	4000	Type II Short	5225
661-6229	VFL540 [S70] 36 LED/ 72 W	3000	Type II Short	7837
661-6223	VFL540 [S70] 36 LED/ 72 W	4000	Type II Short	7837
661-6234	VFL540 [S70] 42 LED/ 84 W	3000	Type II Short	9143
661-6233	VFL540 [S70] 42 LED/ 84 W	4000	Type II Short	9143
661-6264	VFL540 [S70] 36 LED/ 108 W	3000	Type II Short	12322
661-6266	VFL540 [S70] 36 LED/ 108 W	4000	Type II Short	14217
661-6268	VFL540 [S70] 42 LED/ 126 W	3000	Type II Short	14375
661-6270	VFL540 [S70] 42 LED/ 126 W	4000	Type II Short	16587
661-6559	VFL540 [P45L] 36 LED/ 72 W	3000	Left Skew	7741
661-6557	VFL540 [P45L] 36 LED/ 72 W	4000	Left Skew	7741
661-6561	VFL540 [P45L] 42 LED/ 84 W	3000	Left Skew	9031
661-6563	VFL540 [P45L] 42 LED/ 84 W	4000	Left Skew	9031
661-6558	VFL540 [P45R] 36 LED/ 72 W	3000	Right Skew	7649
661-6560	VFL540 [P45R] 36 LED/ 72 W	4000	Right Skew	7649
661-6562	VFL540 [P45R] 42 LED/ 84 W	3000	Right Skew	8923
661-6564	VFL540 [P45R] 42 LED/ 84 W	4000	Right Skew	8923



Accessories

661-9360	RV0 wall bracket
661-9361	RV2 pole bracket for (2) luminaires
661-9362	RV5 lateral pole mounting bracket

SYMMETRICAL FLOODLIGHTS Return to Table of Contents

FLC121 LED

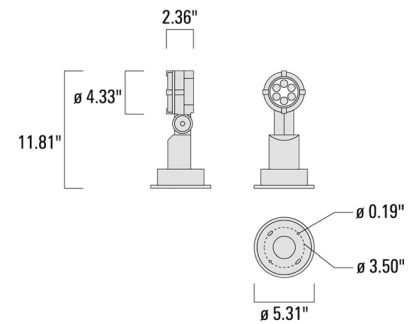
IP66. Surface mounted LED floodlight. Integral control gear. Special effects can be realized with linear lens, or flood lens. 120-277V.

PRODUCT ID	LIGHT SOURCE	KELVIN	OPTIC	DELIVERED LUMENS
665-0220	FLC121-T3 [VNS] 6 LED/ 12 W	3000	9°	1366
665-0221	FLC121-T3 [VNS] 6 LED/ 12 W	4000	9°	1366
665-0120	FLC121-T3 [VN] 6 LED/ 12 W	3000	14°	1270
665-0121	FLC121-T3 [VN] 6 LED/ 12 W	4000	14°	1270
665-0320	FLC121-T3 [M] 6 LED/ 12 W	3000	32°	1282
665-0321	FLC121-T3 [M] 6 LED/ 12 W	4000	32°	1282
665-0330	FLC121-T3 [W] 6 LED/ 12 W	3000	50°	1143
665-0331	FLC121-T3 [W] 6 LED/ 12 W	4000	50°	1143



Accessories

665-8129	Linear spread lens IO-180
665-8130	Flood lens IO-360
665-8120	Wall Wash Lens
665-8222	Honeycomb louver IW (*not suitable for [W] beam distribution)
665-9222	Glare shield ES (matte black inside finish)
665-9331	Surface mounted junction box JB-1-2/M8 for (1) floodlight
665-9311	Pipe clamp SP1-2/M8 for (1) floodlight. (Ø1.5" – 2.36") pipe structure.
665-9312	Pipe clamp SP2-2/M8 for (2) floodlights. (Ø1.5" – 2.36") pipe structure.
665-9321	Pipe clamp SP1-2/M8 for (1) floodlight. (Ø3.0" – 3.50") pipe structure.
665-9322	Pipe clamp SP2-2/M8 for (2) floodlights. (Ø3.0" – 3.50") pipe structure.
665-9302	ESV Planted root
665-9301	EM1-2/M5 Short Post



FLC131 LED

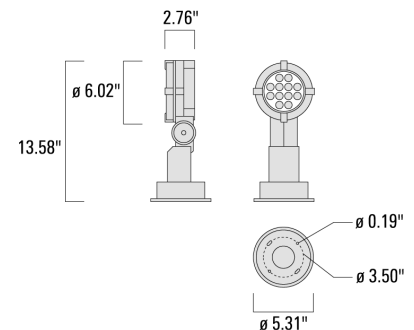
IP66. Surface mounted LED floodlight. Integral control gear. Special effects can be realized with linear lens, or flood lens. 120-277V.

PRODUCT ID	LIGHT SOURCE	KELVIN	OPTIC	DELIVERED LUMENS
665-3220	FLC131-T3 [VNS] 12 LED/ 24 W	3000	10°	2610
665-3221	FLC131-T3 [VNS] 12 LED/ 24 W	4000	10°	2610
665-3120	FLC131-T3 [VN] 12 LED/ 24 W	3000	14°	2445
665-3121	FLC131-T3 [VN] 12 LED/ 24 W	4000	14°	2445
665-3320	FLC131-T3 [M] 12 LED/ 24 W	3000	32°	2543
665-3321	FLC131-T3 [M] 12 LED/ 24 W	4000	32°	2543
665-3420	FLC131-T3 [W] 12 LED/ 24 W	3000	50°	2297
665-3421	FLC131-T3 [W] 12 LED/ 24 W	4000	50°	2297



Accessories

665-8139	Linear spread lens IO-180
665-8140	Flood lens IO-360
665-8135	Wall Wash Lens
665-8232	Honeycomb louver IW (*not suitable for [W] beam distribution)
665-9232	Glare shield ES (matte black inside finish)
665-9234	Snoot ET (matte black inside finish)
665-9331	Surface mounted junction box JB-1-2/M8 for (1) floodlight
665-9311	Pipe clamp SP1-2/M8 for (1) floodlight. (Ø1.5" – 2.36") pipe structure.
665-9312	Pipe clamp SP2-2/M8 for (2) floodlights. (Ø1.5" – 2.36") pipe structure.
665-9321	Pipe clamp SP1-2/M8 for (1) floodlight. (Ø3.0" – 3.50") pipe structure.
665-9322	Pipe clamp SP2-2/M8 for (2) floodlights. (Ø3.0" – 3.50") pipe structure.
665-9302	ESV Planted root
665-9301	EM1-2/M5 Short Post



SYMMETRICAL FLOODLIGHTS Return to Table of Contents

FLC141 LED

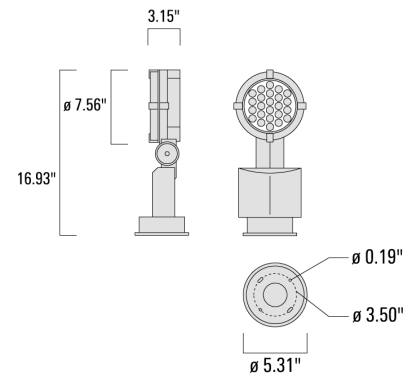
IP66. Surface mounted LED floodlight. Integral control gear. Special effects can be realized with linear lens, or flood lens. 120-277V.

PRODUCT ID	LIGHT SOURCE	KELVIN	OPTIC	DELIVERED LUMENS
665-7226	FLC141-T3 [VNS] 24 LED/ 48 W	3000	9°	5464
665-7227	FLC141-T3 [VNS] 24 LED/ 48 W	4000	9°	5464
665-7126	FLC141-T3 [VN] 24 LED/ 48 W	3000	14°	5077
665-7127	FLC141-T3 [VN] 24 LED/ 48 W	4000	14°	5077
665-7326	FLC141-T3 [M] 24 LED/ 48 W	3000	32°	5129
665-7327	FLC141-T3 [M] 24 LED/ 48 W	4000	32°	5129
665-7426	FLC141-T3 [W] 24 LED/ 48 W	3000	50°	4570
665-7427	FLC141-T3 [W] 24 LED/ 48 W	4000	50°	4570



Accessories

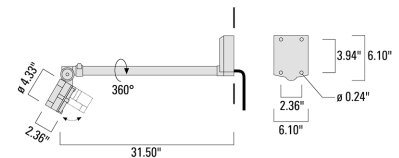
665-8145	Flood lens IO-360
665-8149	Linear spread lens IO-180
665-8152	Wall Wash Lens
665-8242	Honeycomb louver IW (*not suitable for [W] beam distribution)
665-9242	Glare shield ES (matte black inside finish)
665-9244	Snoot ET (matte black inside finish)
665-9331	Surface mounted junction box JB-1-2/M8 for (1) floodlight
665-9311	Pipe clamp SP1-2/M8 for (1) floodlight. (Ø1.5" – 2.36") pipe structure.
665-9312	Pipe clamp SP2-2/M8 for (2) floodlights. (Ø1.5" – 2.36") pipe structure.
665-9321	Pipe clamp SP1-2/M8 for (1) floodlight. (Ø3.0" – 3.50") pipe structure.
665-9322	Pipe clamp SP2-2/M8 for (2) floodlights. (Ø3.0" – 3.50") pipe structure.
665-9302	ESV Planted root
665-9301	EM1-2/M5 Short Post



FLC121 LED - Wall Bracket

IP66. Surface mounted LED floodlight with Wall Bracket. Integral control gear. Special effects can be realized with linear lens, or flood lens. 120-277V.

PRODUCT ID	LIGHT SOURCE	KELVIN	OPTIC	DELIVERED LUMENS
665-0424	FLC121-T4 [VNS] 6 LED/ 12 W	3000	9°	1366
665-0425	FLC121-T4 [VNS] 6 LED/ 12 W	4000	9°	1366
665-0414	FLC121-T4 [VN] 6 LED/ 12 W	3000	14°	1270
665-0415	FLC121-T4 [VN] 6 LED/ 12 W	4000	14°	1270
665-0434	FLC121-T4 [M] 6 LED/ 12 W	3000	32°	1282
665-0435	FLC121-T4 [M] 6 LED/ 12 W	4000	32°	1282
665-0444	FLC121-T4 [W] 6 LED/ 12 W	3000	50°	1143
665-0445	FLC121-T4 [W] 6 LED/ 12 W	4000	50°	1143



Accessories

665-8129	Linear spread lens IO-180
665-8130	Flood lens IO-360
665-8120	Wall Wash Lens
665-8222	Honeycomb louver IW (*not suitable for [W] beam distribution)
665-9222	Glare shield ES (matte black inside finish)
665-9224	Snoot ET (matte black inside finish)

SYMMETRICAL FLOODLIGHTS Return to Table of Contents

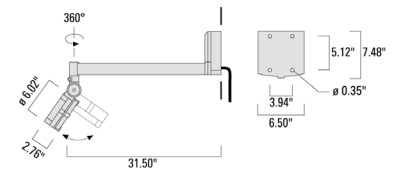
FLC131 LED - Wall Bracket

IP66. Surface mounted LED floodlight with Wall Bracket. Integral control gear. Special effects can be realized with linear lens, or flood lens. 120-277V.

PRODUCT ID	LIGHT SOURCE	KELVIN	OPTIC	DELIVERED LUMENS
665-4220	FLC131-T4 [VNS] 12 LED/ 24 W	3000	10°	2610
665-4221	FLC131-T4 [VNS] 12 LED/ 24 W	4000	10°	2610
665-4120	FLC131-T4 [VN] 12 LED/ 24 W	3000	14°	2445
665-4121	FLC131-T4 [VN] 12 LED/ 24 W	4000	14°	2445
665-4320	FLC131-T4 [M] 12 LED/ 24 W	3000	32°	2543
665-4321	FLC131-T4 [M] 12 LED/ 24 W	4000	32°	2543
665-4420	FLC131-T4 [W] 12 LED/ 24 W	3000	50°	2297
665-4421	FLC131-T4 [W] 12 LED/ 24 W	4000	50°	2297

Accessories

665-8139	Linear spread lens IO-180
665-8140	Flood lens IO-360
665-8135	Wall Wash Lens
665-8232	Honeycomb louver IW (*not suitable for [W] beam distribution)
665-9232	Glare shield ES (matte black inside finish)
665-9234	Snoot ET (matte black inside finish)



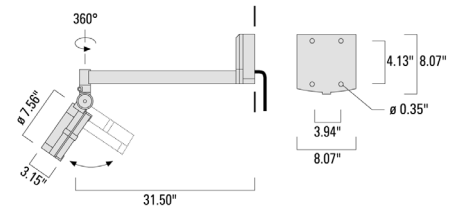
FLC141 LED - Wall Bracket

IP66. Surface mounted LED floodlight with Wall Bracket. Integral control gear. Special effects can be realized with linear lens, or flood lens. 120-277V.

PRODUCT ID	LIGHT SOURCE	KELVIN	OPTIC	DELIVERED LUMENS
665-8276	FLC141-T4 [VNS] 24 LED/ 48 W	3000	9°	5464
665-8277	FLC141-T4 [VNS] 24 LED/ 48 W	4000	9°	5464
665-8176	FLC141-T4 [VN] 24 LED/ 48 W	3000	14°	5077
665-8177	FLC141-T4 [VN] 24 LED/ 48 W	4000	14°	5077
665-8376	FLC141-T4 [M] 24 LED/ 48 W	3000	32°	5129
665-8377	FLC141-T4 [M] 24 LED/ 48 W	4000	32°	5129
665-8476	FLC141-T4 [W] 24 LED/ 48 W	3000	50°	4570
665-8477	FLC141-T4 [W] 24 LED/ 48 W	4000	50°	4570

Accessories

665-8145	Flood lens IO-360
665-8149	Linear spread lens IO-180
665-8152	Wall Wash Lens
665-8242	Honeycomb louver IW (*not suitable for [W] beam distribution)
665-9242	Glare shield ES (matte black inside finish)
665-9244	Snoot ET (matte black inside finish)



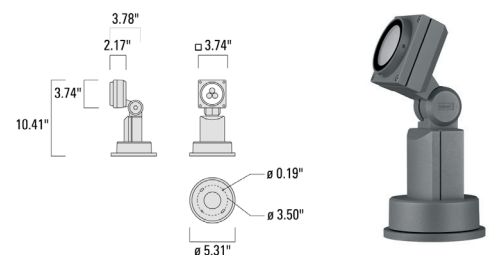
FLD111 LED

IP66, Class I, IK07. Marine-grade, die-cast aluminium alloy. 5CE superior corrosion protection including PCS hardware. Silicone CCG® Controlled Compression Gasket. Safety glass lens. PMMA-LED lens array. 120-277V.

PRODUCT ID	LIGHT SOURCE	KELVIN	OPTIC	DELIVERED LUMENS
665-0020	FLD111 [VNS] 3 LED/ 6 W	3000	11°	594
665-0021	FLD111 [VNS] 3 LED/ 6 W	4000	11°	594
665-0022	FLD111 [VN] 3 LED/ 6 W	3000	15°	552
665-0023	FLD111 [VN] 3 LED/ 6 W	4000	15°	552
665-0024	FLD111 [M] 3 LED/ 6 W	3000	42°	591
665-0025	FLD111 [M] 3 LED/ 6 W	4000	42°	591

Accessories

665-9302	ESV Planted root
665-9301	EM1-2/M5 Short Post



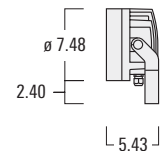
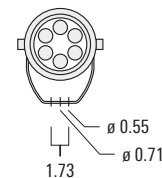
SYMMETRICAL FLOODLIGHTS

[Return to Table of Contents](#)

FLC220 LED

IP66, Class I, IK07. Marine-grade, die-cast aluminium alloy. 5CE superior corrosion protection including PCS hardware. Silicone CCG® Controlled Compression Gasket. Safety glass lens. One cable gland. Second gland for through wiring on request. Integral EC electronic converter, thermally separated. CAD-optimised optics for superior illumination and glare control. OLC® One LED Concept. Factory installed LED circuit board. 0-10V dimming as standard. Maximum one internal optical accessory possible. 120-277V.

PRODUCT ID	LIGHT SOURCE	KELVIN	OPTIC	DELIVERED LUMENS
667-7222	FLC220 [VNS] 6 LED/ 12 W	3000	5.4°	1235
667-7223	FLC220 [VNS] 6 LED/ 12 W	4000	5.4°	1384
667-7224	FLC220 [VNS] 6 LED/ 18 W	3000	5.4°	1774
667-7225	FLC220 [VNS] 6 LED/ 18 W	4000	5.4°	1989
667-7226	FLC220 [VNS] 6 LED/ 26 W	3000	5.4°	2201
667-7227	FLC220 [VNS] 6 LED/ 26 W	4000	5.4°	2468
667-7122	FLC220 [VN] 6 LED/ 12 W	3000	8.2°	1460
667-7123	FLC220 [VN] 6 LED/ 12 W	4000	8.2°	1684
667-7124	FLC220 [VN] 6 LED/ 18 W	3000	8.2°	2097
667-7125	FLC220 [VN] 6 LED/ 18 W	4000	8.2°	2420
667-7126	FLC220 [VN] 6 LED/ 26 W	3000	8.2°	2602
667-7127	FLC220 [VN] 6 LED/ 26 W	4000	8.2°	3002
667-7022	FLC220 [N] 6 LED/ 12 W	3000	14.6°	1380
667-7023	FLC220 [N] 6 LED/ 12 W	4000	14.6°	1592
667-7024	FLC220 [N] 6 LED/ 18 W	3000	14.6°	1982
667-7025	FLC220 [N] 6 LED/ 18 W	4000	14.6°	2287
667-7026	FLC220 [N] 6 LED/ 26 W	3000	14.6°	2459
667-7027	FLC220 [N] 6 LED/ 26 W	4000	14.6°	2837
667-7322	FLC220 [M] 6 LED/ 12 W	3000	29.4°	1436
667-7323	FLC220 [M] 6 LED/ 12 W	4000	29.4°	1656
667-7324	FLC220 [M] 6 LED/ 18 W	3000	29.4°	2062
667-7325	FLC220 [M] 6 LED/ 18 W	4000	29.4°	2380
667-7326	FLC220 [M] 6 LED/ 26 W	3000	29.4°	2559
667-7327	FLC220 [M] 6 LED/ 26 W	4000	29.4°	2952
667-7422	FLC220 [W] 6 LED/ 12 W	3000	57.2°	1397
667-7423	FLC220 [W] 6 LED/ 12 W	4000	57.2°	1611
667-7424	FLC220 [W] 6 LED/ 18 W	3000	57.2°	2007
667-7425	FLC220 [W] 6 LED/ 18 W	4000	57.2°	2315
667-7426	FLC220 [W] 6 LED/ 26 W	3000	57.2°	2490
667-7427	FLC220 [W] 6 LED/ 26 W	4000	57.2°	2872



Accessories

667-8129	IO-360 Flood Lens
667-8128	IO-180 Linear Spread Lens
667-8127	IO-20 Wall Wash Lens
667-8209	IW Honeycomb Louvre

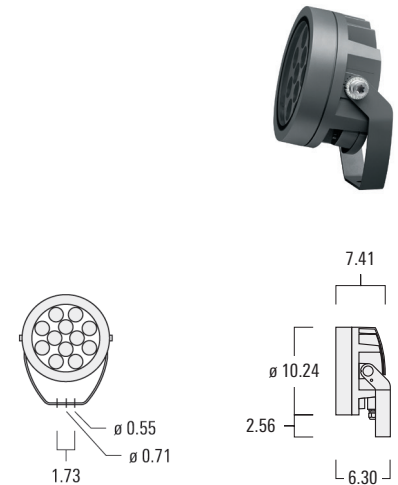
SYMMETRICAL FLOODLIGHTS

[Return to Table of Contents](#)

FLC230 LED

IP66, Class I, IK07. Marine-grade, die-cast aluminium alloy. 5CE superior corrosion protection including PCS hardware. Silicone CCG® Controlled Compression Gasket. Safety glass lens. One cable gland. Second gland for through wiring on request. Integral EC electronic converter, thermally separated. CAD-optimised optics for superior illumination and glare control. OLC® One LED Concept. Factory installed LED circuit board. 0-10V dimming as standard. Maximum one internal optical accessory possible. 120-277V.

PRODUCT ID	LIGHT SOURCE	KELVIN	OPTIC	DELIVERED LUMENS
667-3226	FLC230 [VNS] 12 LED/ 24 W	3000	5.8°	2463
667-3229	FLC230 [VNS] 12 LED/ 24 W	4000	5.8°	2762
667-3227	FLC230 [VNS] 12 LED/ 36 W	3000	5.8°	3539
667-3230	FLC230 [VNS] 12 LED/ 36 W	4000	5.8°	3969
667-3228	FLC230 [VNS] 12 LED/ 52 W	3000	5.8°	4391
667-3231	FLC230 [VNS] 12 LED/ 52 W	4000	5.8°	4924
667-3220	FLC230 [VN] 12 LED/ 24 W	3000	8.2°	2921
667-3223	FLC230 [VN] 12 LED/ 24 W	4000	8.2°	3370
667-3221	FLC230 [VN] 12 LED/ 36 W	3000	8.2°	4197
667-3224	FLC230 [VN] 12 LED/ 36 W	4000	8.2°	4197
667-3222	FLC230 [VN] 12 LED/ 52 W	3000	8.2°	5261
667-3225	FLC230 [VN] 12 LED/ 52 W	4000	8.2°	6070
667-3120	FLC230 [N] 12 LED/ 24 W	3000	14.6°	2776
667-3123	FLC230 [N] 12 LED/ 24 W	4000	14.6°	3202
667-3121	FLC230 [N] 12 LED/ 36 W	3000	14.6°	3988
667-3124	FLC230 [N] 12 LED/ 36 W	4000	14.6°	4602
667-3122	FLC230 [N] 12 LED/ 52 W	3000	14.6°	4909
667-3125	FLC230 [N] 12 LED/ 52 W	4000	14.6°	5664
667-3320	FLC230 [M] 12 LED/ 24 W	3000	30.6°	2950
667-3323	FLC230 [M] 12 LED/ 24 W	4000	30.6°	3404
667-3321	FLC230 [M] 12 LED/ 36 W	3000	30.6°	4239
667-3324	FLC230 [M] 12 LED/ 36 W	4000	30.6°	4892
667-3322	FLC230 [M] 12 LED/ 52 W	3000	30.6°	5214
667-3325	FLC230 [M] 12 LED/ 52 W	4000	30.6°	6016
667-3420	FLC230 [W] 12 LED/ 24 W	3000	59.4°	2799
667-3423	FLC230 [W] 12 LED/ 24 W	4000	59.4°	3230
667-3421	FLC230 [W] 12 LED/ 36 W	3000	59.4°	4022
667-3424	FLC230 [W] 12 LED/ 36 W	4000	59.4°	4641
667-3422	FLC230 [W] 12 LED/ 52 W	3000	59.4°	4971
667-3425	FLC230 [W] 12 LED/ 52 W	4000	59.4°	5735



Accessories

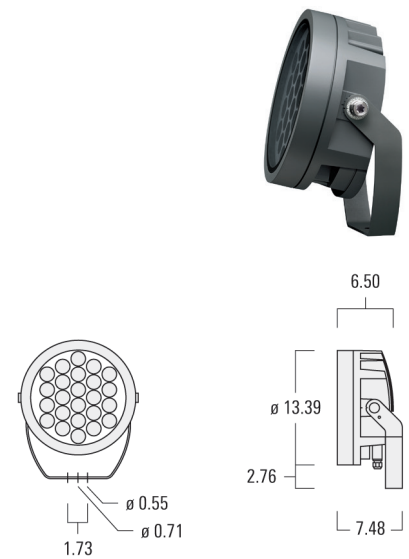
667-8120	IO-360 Flood Lens
667-8119	IO-180 Linear Spread Lens
667-8118	IO-20 Wall Wash Lens
667-8210	IW Honeycomb Louvre
667-9221	ES Glare Shield (matte black finish inside)
667-9222	ET Snoot (matte black finish inside)

SYMMETRICAL FLOODLIGHTS Return to Table of Contents

FLC240 LED

IP66, Class I, IK07. Marine-grade, die-cast aluminium alloy. 5CE superior corrosion protection including PCS hardware. Silicone CCG® Controlled Compression Gasket. Safety glass lens. One cable gland. Second gland for through wiring on request. Integral EC electronic converter, thermally separated. CAD-optimised optics for superior illumination and glare control. OLC® One LED Concept. Factory installed LED circuit board. 0-10V dimming as standard. Maximum one internal optical accessory possible. 120-277V.

PRODUCT ID	LIGHT SOURCE	KELVIN	OPTIC	DELIVERED LUMENS
667-4226	FLC240 [VNS] 24 LED/ 48 W	3000	5.8°	4927
667-4229	FLC240 [VNS] 24 LED/ 48 W	4000	5.8°	5524
667-4227	FLC240 [VNS] 24 LED/ 72 W	3000	5.8°	7079
667-4230	FLC240 [VNS] 24 LED/ 72 W	4000	5.8°	7937
667-4228	FLC240 [VNS] 24 LED/ 104 W	3000	5.8°	8782
667-4231	FLC240 [VNS] 24 LED/ 104 W	4000	5.8°	9847
667-4220	FLC240 [VN] 24 LED/ 48 W	3000	8.2°	5842
667-4223	FLC240 [VN] 24 LED/ 48 W	4000	8.2°	6741
667-4221	FLC240 [VN] 24 LED/ 72 W	3000	8.2°	8393
667-4224	FLC240 [VN] 24 LED/ 72 W	4000	8.2°	9684
667-4222	FLC240 [VN] 24 LED/ 104 W	3000	8.2°	10520
667-4225	FLC240 [VN] 24 LED/ 104 W	4000	8.2°	12139
667-4120	FLC240 [N] 24 LED/ 48 W	3000	14.6°	5552
667-4123	FLC240 [N] 24 LED/ 48 W	4000	14.6°	6406
667-4121	FLC240 [N] 24 LED/ 72 W	3000	14.6°	7976
667-4124	FLC240 [N] 24 LED/ 72 W	4000	14.6°	9203
667-4122	FLC240 [N] 24 LED/ 104 W	3000	14.6°	9817
667-4125	FLC240 [N] 24 LED/ 104 W	4000	14.6°	11327
667-4320	FLC240 [M] 24 LED/ 48 W	3000	30.6°	5902
667-4323	FLC240 [M] 24 LED/ 48 W	4000	30.6°	6809
667-4321	FLC240 [M] 24 LED/ 72 W	3000	30.6°	8479
667-4324	FLC240 [M] 24 LED/ 72 W	4000	30.6°	9783
667-4322	FLC240 [M] 24 LED/ 104 W	3000	30.6°	10427
667-4325	FLC240 [M] 24 LED/ 104 W	4000	30.6°	12032
667-4420	FLC240 [W] 24 LED/ 48 W	3000	59.4°	5599
667-4423	FLC240 [W] 24 LED/ 48 W	4000	59.4°	6460
667-4421	FLC240 [W] 24 LED/ 72 W	3000	59.4°	8044
667-4424	FLC240 [W] 24 LED/ 72 W	4000	59.4°	9282
667-4422	FLC240 [W] 24 LED/ 104 W	3000	59.4°	9940
667-4425	FLC240 [W] 24 LED/ 104 W	4000	59.4°	11470



Accessories

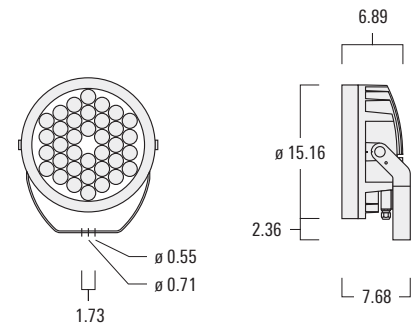
667-8123	IO-360 Flood Lens
667-8122	IO-180 Linear Spread Lens
667-8121	IO-20 Wall Wash Lens
667-8211	IW Honeycomb Louvre
667-9244	ES Glare Shield (matte black finish inside)
667-9245	ET Snoot (matte black finish inside)

SYMMETRICAL FLOODLIGHTS Return to Table of Contents

FLC260 LED *LIGHTSPEED ORDER QUANTITY LIMIT: 10

IP66, Class I, IK07. Marine-grade, die-cast aluminium alloy. 5CE superior corrosion protection including PCS hardware. Silicone CCG® Controlled Compression Gasket. Safety glass lens. One cable gland. Second gland for through wiring on request. Integral EC electronic converter, thermally separated. CAD-optimised optics for superior illumination and glare control. OLC® One LED Concept. Factory installed LED circuit board. 0-10V dimming as standard. Maximum one internal optical accessory possible. 120-277V.

PRODUCT ID	LIGHT SOURCE	KELVIN	OPTIC	DELIVERED LUMENS
667-6226	FLC260 [VNS] 36 LED/ 72 W	3000	5.6°	7390
667-6229	FLC260 [VNS] 36 LED/ 72 W	4000	5.6°	8286
667-6227	FLC260 [VNS] 36 LED/ 108 W	3000	5.6°	10618
667-6230	FLC260 [VNS] 36 LED/ 108 W	4000	5.6°	11905
667-6228	FLC260 [VNS] 36 LED/ 155 W	3000	5.6°	13174
667-6231	FLC260 [VNS] 36 LED/ 155 W	4000	5.6°	14770
667-6220	FLC260 [VN] 36 LED/ 72 W	3000	8.2°	8763
667-6223	FLC260 [VN] 36 LED/ 72 W	4000	8.2°	10110
667-6221	FLC260 [VN] 36 LED/ 108 W	3000	8.2°	12590
667-6224	FLC260 [VN] 36 LED/ 108 W	4000	8.2°	14527
667-6222	FLC260 [VN] 36 LED/ 155 W	3000	8.2°	15781
667-6225	FLC260 [VN] 36 LED/ 155 W	4000	8.2°	18209
667-6120	FLC260 [N] 36 LED/ 72 W	3000	14.6°	8327
667-6123	FLC260 [N] 36 LED/ 72 W	4000	14.6°	9608
667-6121	FLC260 [N] 36 LED/ 108 W	3000	14.6°	11964
667-6124	FLC260 [N] 36 LED/ 108 W	4000	14.6°	13805
667-6122	FLC260 [N] 36 LED/ 155 W	3000	14.6°	14725
667-6125	FLC260 [N] 36 LED/ 155 W	4000	14.6°	16991
667-6320	FLC260 [M] 36 LED/ 72 W	3000	30.6°	8852
667-6323	FLC260 [M] 36 LED/ 72 W	4000	30.6°	10213
667-6321	FLC260 [M] 36 LED/ 108 W	3000	30.6°	12718
667-6324	FLC260 [M] 36 LED/ 108 W	4000	30.6°	14675
667-6322	FLC260 [M] 36 LED/ 155 W	3000	30.6°	15641
667-6325	FLC260 [M] 36 LED/ 155 W	4000	30.6°	18048
667-6420	FLC260 [W] 36 LED/ 72 W	3000	59.4°	8398
667-6423	FLC260 [W] 36 LED/ 72 W	4000	59.4°	9690
667-6421	FLC260 [W] 36 LED/ 108 W	3000	59.4°	12066
667-6424	FLC260 [W] 36 LED/ 108 W	4000	59.4°	13922
667-6422	FLC260 [W] 36 LED/ 155 W	3000	59.4°	14911
667-6425	FLC260 [W] 36 LED/ 155 W	4000	59.4°	17205



Accessories

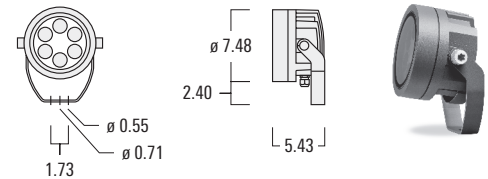
667-8126	IO-360 Flood Lens
667-8125	IO-180 Linear Spread Lens
667-8124	IO-20 Wall Wash Lens
667-8212	IW Honeycomb Louvre
667-9264	ES Glare Shield (matte black finish inside)
667-9265	ET Snoot (matte black finish inside)

SYMMETRICAL FLOODLIGHTS Return to Table of Contents

FLC220-CC LED

RGBW/RGBA Colour Changer. IP66, Class I. IK07. Marine-grade, die-cast aluminium alloy. 5CE superior corrosion protection including PCS hardware. Silicone CCG® Controlled Compression Gasket. Safety glass lens. One cable gland. Second gland for through-wiring on request. Integral EC electronic converter, thermally separated. CAD-optimised optics for superior illumination and glare control. OLC® One LED Concept. Factory-installed LED circuit board with WE-EF Colour Boost Technology. With Colour Boost the targeted and selective control of individual channels or colours means that a higher power of the LEDs can be accessed than in total when all colours are simultaneously operated. The light output is thus maximized by targeted control of individual channels/colours. DMX interface. For the M20 cable gland for network- and DMX-connection, WE-EF recommends a multi-core cable for DMX and power, "Power PUR-SR 3x1,5 + DMX". 120-277V.

PRODUCT ID	LIGHT SOURCE	KELVIN	OPTIC	DELIVERED LUMENS
667-7028	FLC220-CC [N] 6 LED/ 21 W	RGBW	13°	1645
667-7328	FLC220-CC [M] 6 LED/ 21 W	RGBW	28°	1572
667-7428	FLC220-CC [W] 6 LED/ 21 W	RGBW	53°	1506



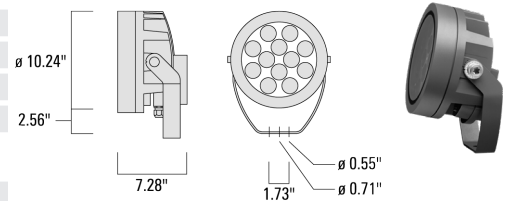
Accessories

667-8128	IO-180 Linear Spread Lens
400-9002	DMX Touchpanel Controller - Nicolaudie CW4
400-9013	Wire, PWR+DMX cable, 14/3C+22/3C (1000' roll)

FLC230-CC LED LIGHTSPEED ORDER QUANTITY LIMIT: 10

RGBW/RGBA Colour Changer. IP66, Class I. IK07. Marine-grade, die-cast aluminium alloy. 5CE superior corrosion protection including PCS hardware. Silicone CCG® Controlled Compression Gasket. Safety glass lens. One cable gland. Second gland for through-wiring on request. Integral EC electronic converter, thermally separated. CAD-optimised optics for superior illumination and glare control. OLC® One LED Concept. Factory-installed LED circuit board with WE-EF Colour Boost Technology. With Colour Boost the targeted and selective control of individual channels or colours means that a higher power of the LEDs can be accessed than in total when all colours are simultaneously operated. The light output is thus maximized by targeted control of individual channels/colours. DMX interface. For the M20 cable gland for network- and DMX-connection, WE-EF recommends a multi-core cable for DMX and power, "Power PUR-SR 3x1,5 + DMX". 120-277V.

PRODUCT ID	LIGHT SOURCE	KELVIN	OPTIC	DELIVERED LUMENS
667-3127	FLC230-CC [N] 12 LED/ 42 W	RGBW	13°	3144
667-3327	FLC230-CC [M] 12 LED/ 42 W	RGBW	28°	3205
667-3427	FLC230-CC [W] 12 LED/ 42 W	RGBW	53°	2983



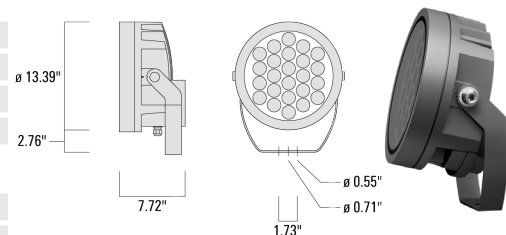
Accessories

667-8119	IO-180 Linear Spread Lens
400-9002	DMX Touchpanel Controller - Nicolaudie CW4
400-9013	Wire, PWR+DMX cable, 14/3C+22/3C (1000' roll)

FLC240-CC LED LIGHTSPEED ORDER QUANTITY LIMIT: 5

RGBW/RGBA Colour Changer. IP66, Class I. IK07. Marine-grade, die-cast aluminium alloy. 5CE superior corrosion protection including PCS hardware. Silicone CCG® Controlled Compression Gasket. Safety glass lens. One cable gland. Second gland for through-wiring on request. Integral EC electronic converter, thermally separated. CAD-optimised optics for superior illumination and glare control. OLC® One LED Concept. Factory-installed LED circuit board with WE-EF Colour Boost Technology. With Colour Boost the targeted and selective control of individual channels or colours means that a higher power of the LEDs can be accessed than in total when all colours are simultaneously operated. The light output is thus maximized by targeted control of individual channels/colours. DMX interface. For the M20 cable gland for network- and DMX-connection, WE-EF recommends a multi-core cable for DMX and power, "Power PUR-SR 3x1,5 + DMX". 120-277V.

PRODUCT ID	LIGHT SOURCE	KELVIN	OPTIC	DELIVERED LUMENS
667-4127	FLC230-CC [N] 24 LED/ 84 W	RGBW	13°	6287
667-4327	FLC230-CC [M] 24 LED/ 84 W	RGBW	28°	6405
667-4427	FLC230-CC [W] 24 LED/ 84 W	RGBW	53°	5966



Accessories

667-8122	IO-180 Linear Spread Lens
400-9002	DMX Touchpanel Controller - Nicolaudie CW4
400-9013	Wire, PWR+DMX cable, 14/3C+22/3C (1000' roll)

SYMMETRICAL FLOODLIGHTS Return to Table of Contents

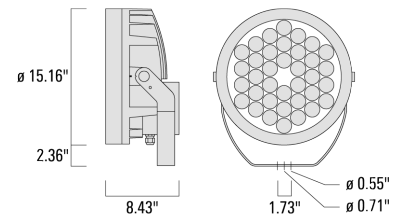
FLC260-CC LED *LIGHTSPEED* ORDER QUANTITY LIMIT: 10

RGBW/RGBA Colour Changer. IP66, Class I. IK07. Marine-grade, die-cast aluminium alloy. 5CE superior corrosion protection including PCS hardware. Silicone CCG® Controlled Compression Gasket. Safety glass lens. One cable gland. Second gland for through-wiring on request. Integral EC electronic converter, thermally separated. CAD-optimised optics for superior illumination and glare control. OLC® One LED Concept. Factory-installed LED circuit board with WE-EF Colour Boost Technology. With Colour Boost the targeted and selective control of individual channels or colours means that a higher power of the LEDs can be accessed than in total when all colours are simultaneously operated. The light output is thus maximized by targeted control of individual channels/colours. DMX interface. For the M20 cable gland for network- and DMX-connection, WE-EF recommends a multi-core cable for DMX and power, "Power PUR-SR 3x1,5 + DMX". 120-277V.

PRODUCT ID	LIGHT SOURCE	KELVIN	OPTIC	DELIVERED LUMENS
667-6127	FLC260-CC [N] 36 LED/ 84 W	RGBW	13°	9431
667-6327	FLC260-CC [M] 36 LED/ 84 W	RGBW	28°	9615
667-6426	FLC260-CC [W] 36 LED/ 84 W	RGBW	53°	8949

Accessories

667-8125	IO-180 Linear Spread Lens
400-9002	DMX Touchpanel Controller - Nicolaudie CW4
400-9013	Wire, PWR+DMX cable, 14/3C+22/3C (1000' roll)



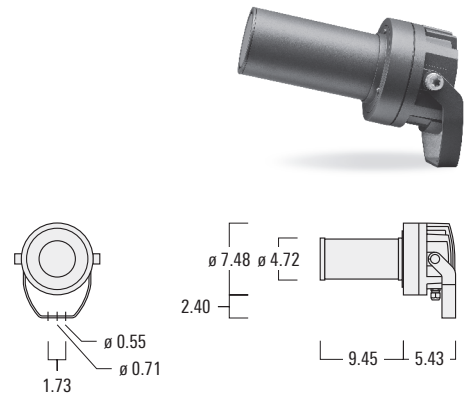
PROJECTORS

[Return to Table of Contents](#)

FLC220 LED [PP] - Zoom Spot, GOBO, & Framing Projectors

Profile Projector for framing applications, polygon shape. Spherical/double flat convex lens system. IP66, Class I. IK07. Marine-grade, die-cast aluminium alloy. 5CE superior corrosion protection including PCS hardware. Silicone CCG® Controlled Compression Gasket. Safety glass lens. One cable gland. Second gland for through wiring on request. PMMA LED lens array. Factory installed LED circuit board. LED board can be removed for upgrading. Integral EC electronic converter, thermally separated. 120-277V.

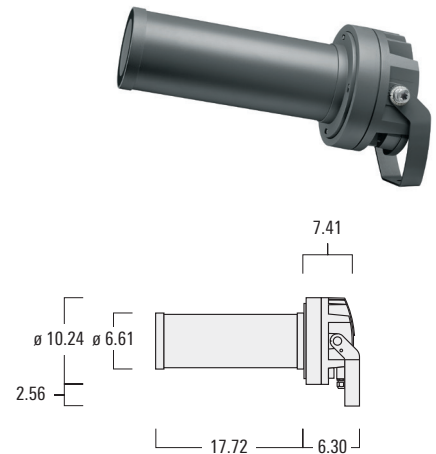
PRODUCT ID	LIGHT SOURCE	KELVIN	OPTIC	DELIVERED LUMENS
667-7720	FLC220 [ZOOM] FT- LED/ 24 W	3000	16°	1588
667-7723	FLC220 [ZOOM] FT- LED/ 24 W	4000	16°	1656
667-7721	FLC220 [ZOOM] FT- LED/ 37 W	3000	16°	2154
667-7724	FLC220 [ZOOM] FT- LED/ 37 W	4000	16°	2245
667-7726	FLC220 [GOBO] FT- LED/ 24 W	3000	11°	737
667-7729	FLC220 [GOBO] FT- LED/ 24 W	4000	11°	769
667-7727	FLC220 [GOBO] FT- LED/ 37 W	3000	11°	1000
667-7730	FLC220 [GOBO] FT- LED/ 37 W	4000	11°	1043
667-7732	FLC220 [FRAMING] FT- LED/ 24 W	3000	15°	1588
667-7735	FLC220 [FRAMING] FT- LED/ 24 W	4000	15°	1656
667-7733	FLC220 [FRAMING] FT- LED/ 37 W	3000	15°	2154
667-7736	FLC220 [FRAMING] FT- LED/ 37 W	4000	15°	2245



FLC230 LED [PP] - Zoom Spot, GOBO, & Framing Projectors *LIGHTSPEED ORDER QUANTITY LIMIT: 5

Profile Projector for framing applications, polygon shape. Spherical/double flat convex lens system. IP66, Class I. IK07. Marine-grade, die-cast aluminium alloy. 5CE superior corrosion protection including PCS hardware. Silicone CCG® Controlled Compression Gasket. Safety glass lens. One cable gland. Second gland for through wiring on request. PMMA LED lens array. Factory installed LED circuit board. LED board can be removed for upgrading. Integral EC electronic converter, thermally separated. 120-277V.

PRODUCT ID	LIGHT SOURCE	KELVIN	OPTIC	DELIVERED LUMENS
667-3721	FLC230 [ZOOM] 12 LED/ 36 W	3000	15°	2085
667-3724	FLC230 [ZOOM] 12 LED/ 36 W	4000	15°	2406
667-3722	FLC230 [ZOOM] 12 LED/ 52 W	3000	15°	2667
667-3725	FLC230 [ZOOM] 12 LED/ 52 W	4000	15°	3077
667-3727	FLC230 [GOBO] 12 LED/ 36 W	3000	16°	1332
667-3730	FLC230 [GOBO] 12 LED/ 36 W	4000	16°	1537
667-3728	FLC230 [GOBO] 12 LED/ 52 W	3000	16°	1704
667-3731	FLC230 [GOBO] 12 LED/ 52 W	4000	16°	1966
667-3733	FLC230 [FRAMING] 12 LED/ 36 W	3000	15°	2085
667-3736	FLC230 [FRAMING] 12 LED/ 36 W	4000	15°	2406
667-3734	FLC230 [FRAMING] 12 LED/ 52 W	3000	15°	2667
667-3737	FLC230 [FRAMING] 12 LED/ 52 W	4000	15°	3077



we-ef