

we-ef

WE-EF LIGHTING USA

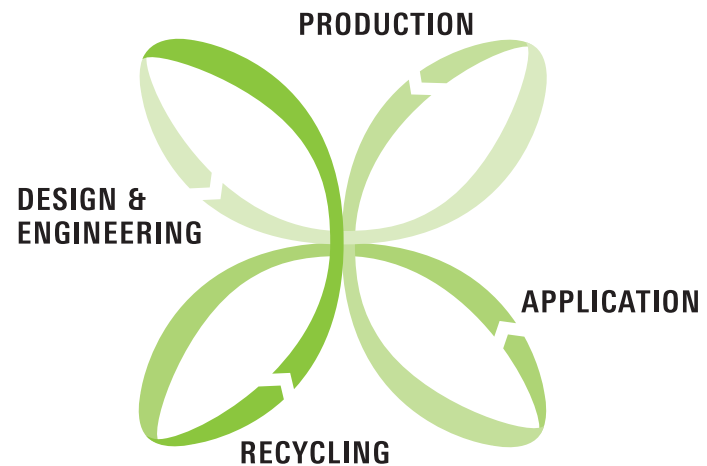
PLS400 SERIES

RLS400 SERIES

Wall Luminaires - Surface Mounted

North American Edition





WE-EF is a global manufacturer of high-performance exterior luminaires renowned for outstanding engineering design and innovative optical systems. Established in 1950 in Germany, WE-EF is recognized worldwide as a leading exterior lighting specialist that provides professional lighting solutions for various applications, ranging from urban spaces to architectural projects.

As a pioneer and innovator of a wide range of application-specific modular LED lens technologies, WE-EF develops optical systems that deliver photometric efficiency together with high visual comfort.

WE-EF is dedicated to the philosophy of combining form and function, resulting in striking and timeless product designs.

Precision in the design process, careful consideration of material selection and high-quality manufacturing processes ensure that WE-EF luminaires are considered to be a benchmark of product performance, reliability and longevity as well as ease of installation.

Responsible resource management is practiced across all areas of operation, from product life-cycle assessments to sustainable business procedures.

PLS400 SERIES

[Factory-sealed] Wall luminaire. IP66. IK08. Marine-grade, die-cast aluminum alloy. 5CE superior corrosion protection including PCS hardware. Powdercoat finish in black RAL 9004, gray aluminum RAL 9007, white RAL 9016, or Dark Bronze RAL 8019. Safety glass lens. Silicone CCG® Controlled Compression Gasket. Luminaire is factory-sealed and does not need to be opened during installation.

Integral EC electronic converter. Advanced thermal management protects LEDs while optimizing lumen output. CAD-optimized optics for superior illumination and glare control. OLC® One LED Concept.

0-10V dimmable, to be specified with order (-D).

Luminaire can be mounted for up or down lighting.

*Mounting plate for mounting over a junction box is included with all orders. A small switch box with knockouts is recommended for sleeker lines.

Light source:

LED 12-52 W, 3000 K and 4000 K
for 2700 K, refer to www.we-ef.com

Available distributions:

[M] [N]
[S70] [A60] [R65]

Accessories:

- Mounting, page 5
- Optical, page 5





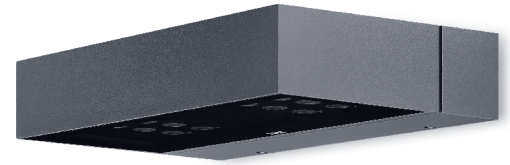
[M]

[N]

IOS® Innovative Optical System:

[M] Symmetric distribution, medium beam

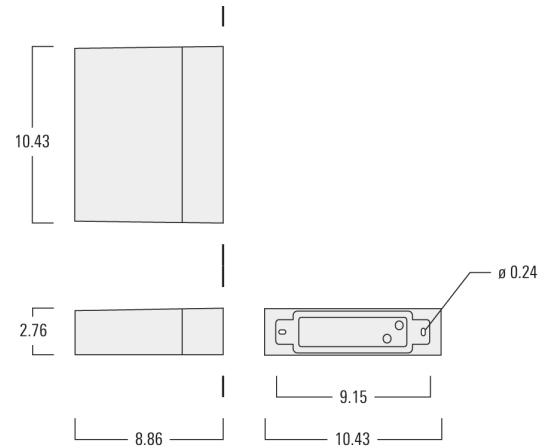
[N] Symmetric distribution, narrow beam



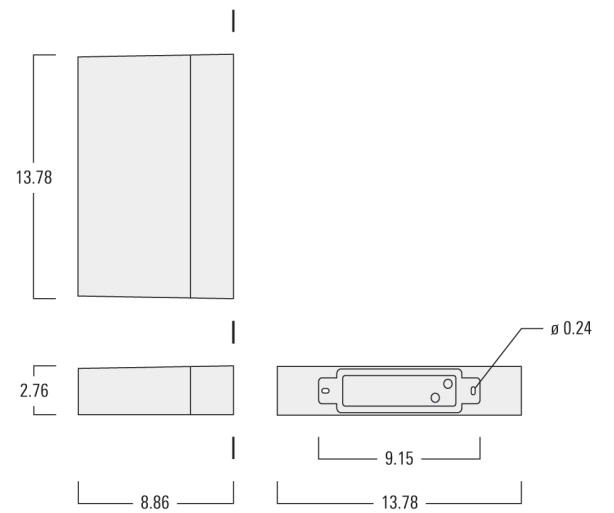
PLS430 with [N] optic, clear front lens to improve peak intensity

[M]		Color Temp	Lumen Range	cd/klm	Spread
PLS420	6 LED/12W/700 mA	2700-4000K	1123-1185	1503	40°
PLS420	6 LED/18W/1050 mA	2700-4000K	1755-2135	1503	40°
PLS420	6 LED/26W/1400 mA	2700-4000K	2245-2730	1503	40°
PLS430	12 LED/24W/700 mA	2700-4000K	3139-2369	1843	40°
PLS430	12 LED/36W/1050 mA	2700-4000K	3480-4269	1447	40°
PLS430	12 LED/52W/1400 mA	2700-4000K	4016-5461	1447	40°

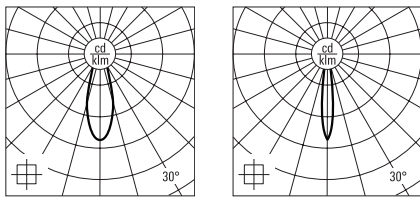
[N]		Color Temp	Lumen range	cd/klm	Spread
PLS420	6 LED/12W/700 mA	2700-4000K	1056-1115	6566	14°
PLS420	6 LED/18W/1050 mA	2700-4000K	1780-2165	6566	14°
PLS420	6 LED/26W/1400 mA	2700-4000K	2276-2768	6566	14°
PLS430	12 LED/24W/700 mA	2700-4000K	1603-2228	6566	20°
PLS430	12 LED/36W/1050 mA	2700-4000K	1603-4329	5241	20°
PLS430	12 LED/52W/1400 mA	2700-4000K	2494-5538	5241	20°



PLS420



PLS430



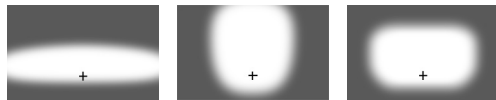
[M]

[N]

Accessories:

Emergency Lighting Package

ELP for PLS420/430



[S70] [A60] [R65]

IOS® Innovative Optical System:

[S70] 'Side throw' distribution

[A60] Asymmetric 'forward throw' distribution

[R65] Rectangular 'forward throw' distribution

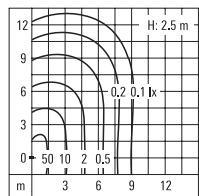


PLS430 with [S70] optic, diffused front lens to improve visual comfort

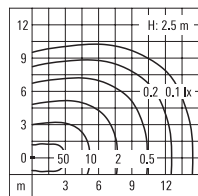
[S70]		Color Temp	Lumen Range	Factor*
PLS420	6 LED/12W/700 mA	2700-4000K	836-882	1.00
PLS420	6 LED/18W/1050 mA	2700-4000K	1291-1570	1.83
PLS420	6 LED/26W/1400 mA	2700-4000K	1651-2008	2.34
PLS430	12 LED/24W/700 mA	2700-4000K	1671-1764	2.00
PLS430	12 LED/36W/1050 mA	2700-4000K	2581-3139	3.66
PLS430	12 LED/52W/1400 mA	2700-4000K	3302-4016	4.68

[A60]		Color Temp	Lumen Range	Factor*
PLS420	6 LED/12W/700 mA	2700-4000K	811-857	1.00
PLS420	6 LED/18W/1050 mA	2700-4000K	1216-1480	1.83
PLS420	6 LED/26W/1400 mA	2700-4000K	1556-1892	2.34
PLS430	12 LED/24W/700 mA	2700-4000K	1623-1713	2.00
PLS430	12 LED/36W/1050 mA	2700-4000K	1764-2959	3.66
PLS430	12 LED/52W/1400 mA	2700-4000K	2721-3785	4.68

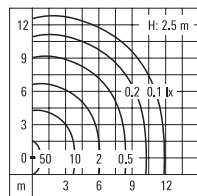
[R65]		Color Temp	Lumen Range	Factor*
PLS420	6 LED/12W/700 mA	2700-4000K	800-802	1.00
PLS420	6 LED/18W/1050 mA	2700-4000K	1183-1439	1.83
PLS420	6 LED/26W/1400 mA	2700-4000K	1513-1840	2.34
PLS430	12 LED/24W/700 mA	2700-4000K	1519-1603	2.00
PLS430	12 LED/36W/1050 mA	2700-4000K	2366-2878	3.66
PLS430	12 LED/52W/1400 mA	2700-4000K	1764-3681	4.68



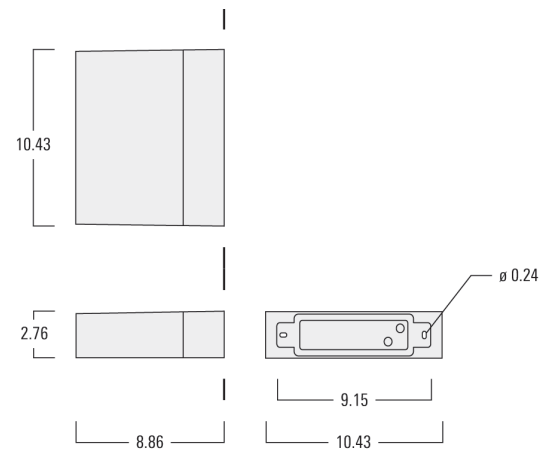
[S70] isolux curve with luminaire height at 2.5 m.



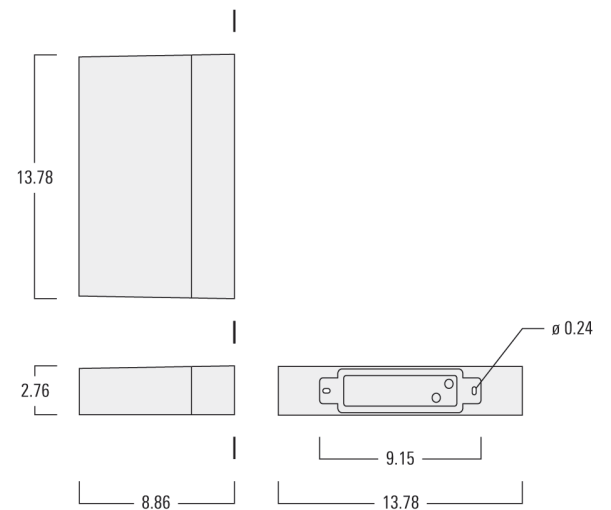
[A60] isolux curve with luminaire height at 2.5 m.



[R65] isolux curve with luminaire height at 2.5 m.



PLS420



PLS430

Accessories:

Emergency Lighting Package

ELP	for PLS420/430
-----	----------------

OPTICAL ACCESSORIES – PLS400 SERIES

A maximum of one internal optical accessory. Factory-installed.

Honeycomb louvre – For symmetric [M] and [N] versions.

IW for PLS420 & PLS430



IW

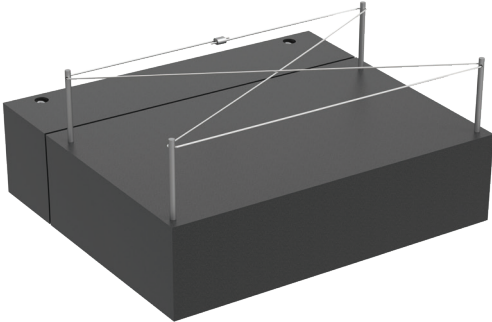
MOUNTING ACCESSORIES – PLS400 SERIES

A maximum of one external optical accessory. Factory-installed.

Bird deterrent

BD for PLS420 & PLS430

Factory-installed, must be specified at time of ordering.



Bird deterrent

Wall Plate

*Wall Plate for PLS420 & PLS430

*INCLUDED: Frame for 4" square J-Box is supplied as standard with fixture.



Wall Plate

RLS400 SERIES

[Factory-sealed] Wall luminaire. IP66. IK08. Marine-grade, die-cast aluminum alloy. 5CE superior corrosion protection including PCS hardware. Powdercoat finish in black RAL 9004, gray aluminum RAL 9007, white RAL 9016, or Dark Bronze RAL 8019. Safety glass lens. Silicone CCG® Controlled Compression Gasket. Luminaire is factory-sealed and does not need to be opened during installation.

Integral EC electronic converter. Advanced thermal management protects LEDs while optimizing lumen output. CAD-optimized optics for superior illumination and glare control. OLC® One LED Concept.

0-10V dimmable, to be specified with order (-D).

Luminaire can be mounted for up or down lighting.

*Mounting plate for mounting over a junction box is included with all orders. A small switch box with knockouts is recommended for sleeker lines.

Light source:
LED 6-26 W, 2700 K, 3000 K and 4000 K

Available distributions:
[R45] [M] [N]

Accessories:
■ Optical, page 9





[R45]

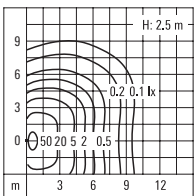
IOS® Innovative Optical System:

[R45] Rectangular 'forward throw' distribution

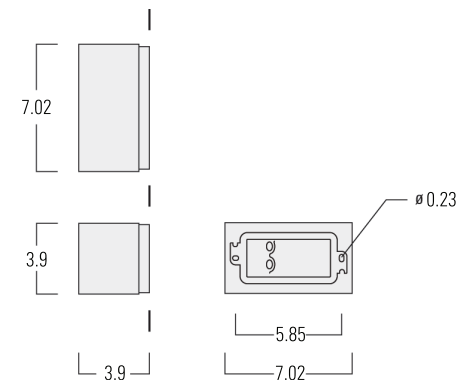


RLS410 with [N] optic, clear front lens to improve peak intensity

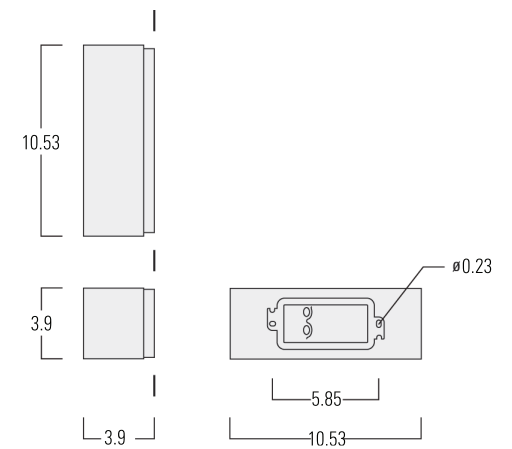
[R45]		Color Temp	Lumen range	Factor*
RLS410	3 LED/6W/700 mA	2700-4000K	440-465	0.43
RLS410	3 LED/9W/1050 mA	2700-4000K	555-806	0.78
RLS410	3 LED/13W/1400 mA	2700-4000K	710-1031	1.00
RLS420	6 LED/12W/700 mA	2700-4000K	881-930	0.85
RLS420	6 LED/18W/1050 mA	2700-4000K	1110-1612	1.56
RLS420	6 LED/26W/1400 mA	2700-4000K	1420-2061	2.00



[R45] isolux curve with luminaire height at 2.5 m.



RLS410



RLS420

* Multiplier for isolux values.



[M]

[N]

IOS® Innovative Optical System:

[M] Symmetric distribution, medium beam

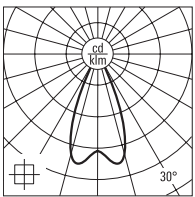
[N] Symmetric distribution, narrow beam



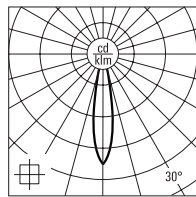
RLS410 with [R45] optic, diffused front lens to improve visual comfort

[M]		Color Temp	Lumen range	cd/klm	Spread
RLS410	3 LED/6W/700 mA	2700-4000K	561-593	1843	40°
RLS410	3 LED/9W/1050 mA	2700-4000K	735-1067	1447	45°
RLS410	3 LED/13W/1400 mA	2700-4000K	940-1365	1447	45°
RLS420	6 LED/12W/700 mA	2700-4000K	1123-1185	1843	40°
RLS420	6 LED/18W/1050 mA	2700-4000K	1471-2135	1447	45°
RLS420	6 LED/26W/1400 mA	2700-4000K	1881-2730	1447	45°

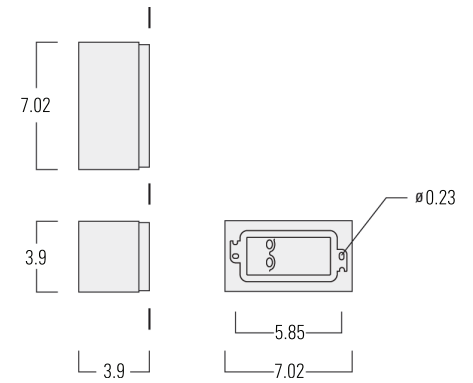
[N]		Color Temp	Lumen range	cd/klm	Spread
RLS410	3 LED/6W/700 mA	2700-4000K	528-557	6566	14°
RLS410	3 LED/9W/1050 mA	2700-4000K	746-1082	5241	16°
RLS410	3 LED/13W/1400 mA	2700-4000K	953-1385	5241	16°
RLS420	6 LED/12W/700 mA	2700-4000K	1056-1115	6566	14°
RLS420	6 LED/18W/1050 mA	2700-4000K	1491-2165	5241	16°
RLS420	6 LED/26W/1400 mA	2700-4000K	1907-2768	5241	16°



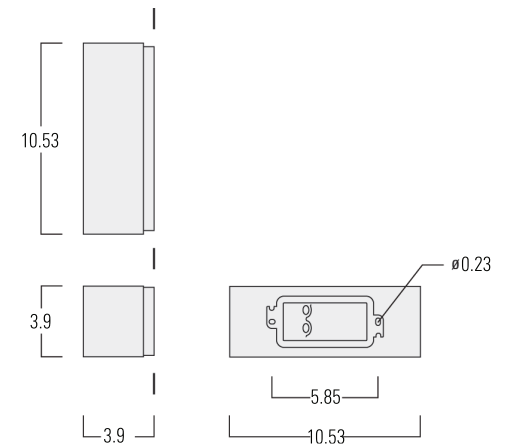
[M]



[N]



RLS410



RLS420

OPTICAL ACCESSORIES – RLS400 SERIES

Internal Accessories

A maximum of one internal optical accessory. Factory-installed.

Honeycomb louvre – For symmetric [N] versions.

IW for RLS410 & RLS420



IW

MOUNTING ACCESSORIES – RLS400 SERIES

Wall Plate

*Wall Plate for RLS410 & RLS420

*INCLUDED: Frame for 4" square J-Box is supplied as standard with fixture.



Wall Plate

PLS400 / RLS400 FEATURES

IP classification:	IP66
Electrical protection:	Class I
Impact protection:	IK08
Luminaire housing:	Marine-grade, die-cast aluminum alloy
Driver:	Integral EC electronic converter Advanced thermal management protects LEDs while optimizing lumen output
Gasket:	Silicone CCG® Controlled Compression Gasket
Optics:	CAD-optimized optics for superior illumination and glare control OLC® One LED Concept
Corrosion protection:	5CE superior corrosion protection and PCS hardware (polymer coated stainless steel)
Installation:	Luminaire is factory-sealed and does not need to be opened during installation. A small switch box with knockouts is recommended for sleeker lines. Frame for 4" square J-Box is supplied as standard.
Control Options:	ON/OFF, 0-10V.

OPTICAL FEATURES

Light Distributions:

PLS420

6 LED, 12-26 W

700 mA/1050 mA/1400 mA

PLS430

6 LED, 12-52 W

700 mA/1050 mA/1400 mA

RLS410

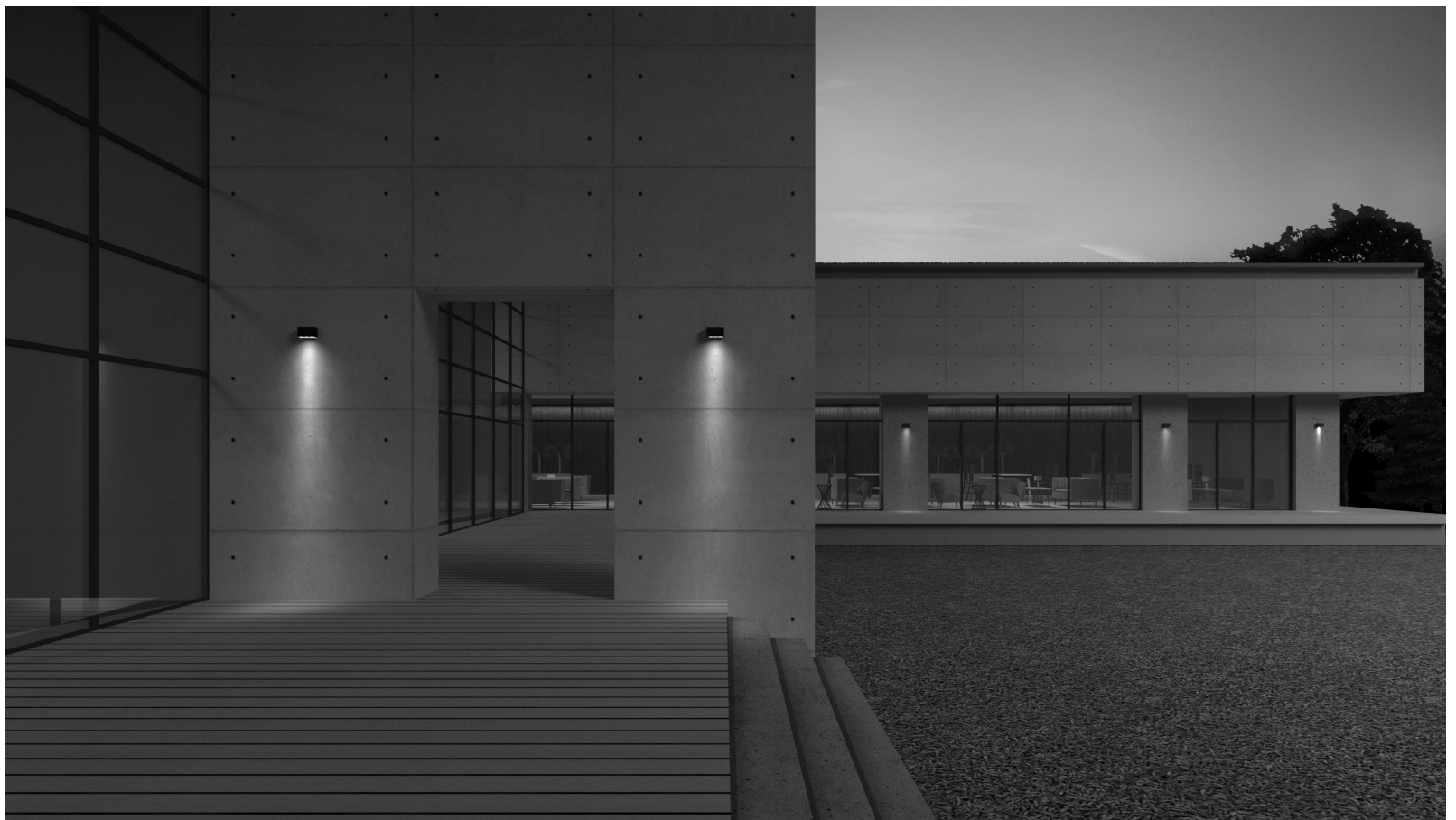
3 LED, 6-13 W

700 mA/1050 mA/1400 mA

RLS420

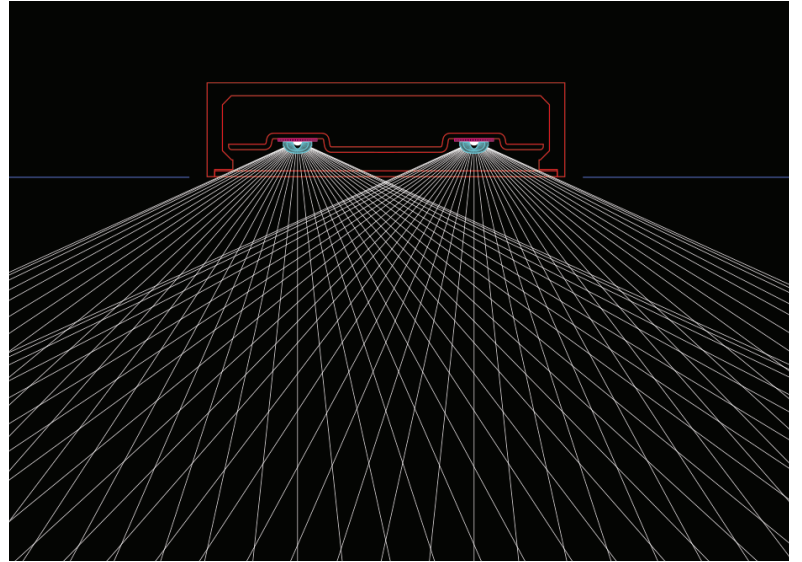
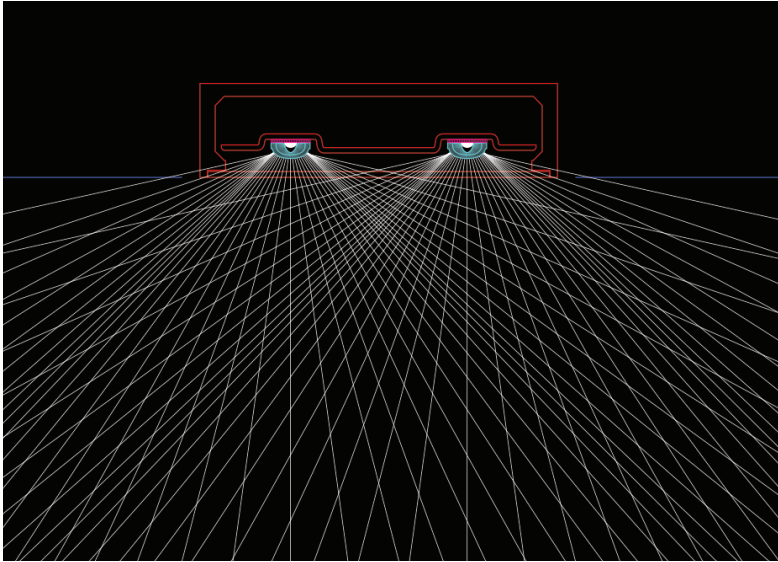
6 LED, 12-26 W

700 mA/1050 mA/1400 mA

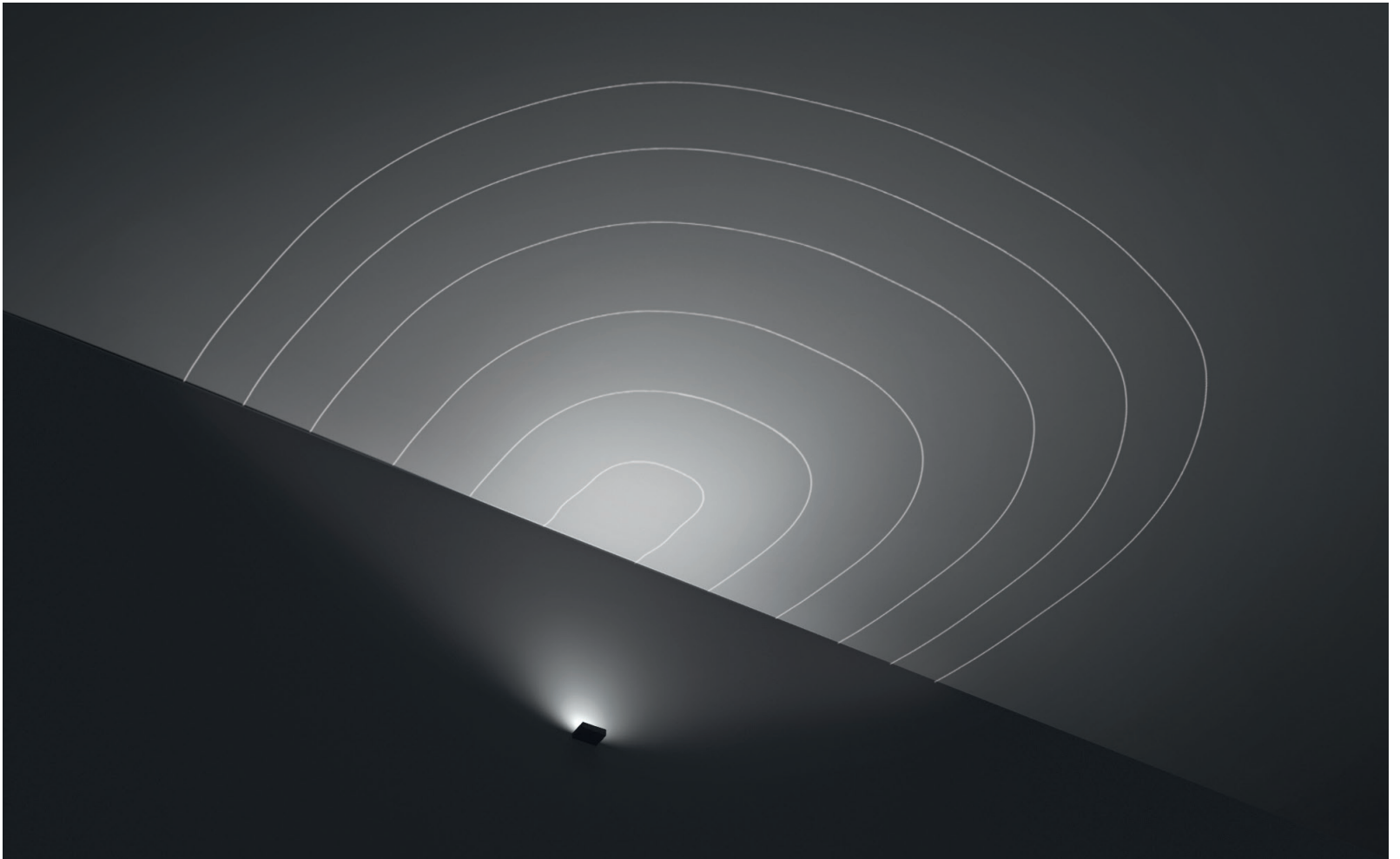


A typical application of RLS410 [N] luminaire in an architectural setting. Luminaires can be seamlessly integrated into architecture to provide functional lighting for various applications ranging from illuminating buildings, façades/canopies to pathways and more.

Introducing high performance street and area lighting optics for wall surface mounted luminaire – delivering first- class illumination and precision directing light to where it’s needed. With five different distributions to choose from – [M] [N] [S70] [A60] [R65] a variety of lighting challenges can be addressed. They are characterized by their wide-ranging areas of application as they can be used both as uplights and downlights to illuminate the walls and floors above or below them.



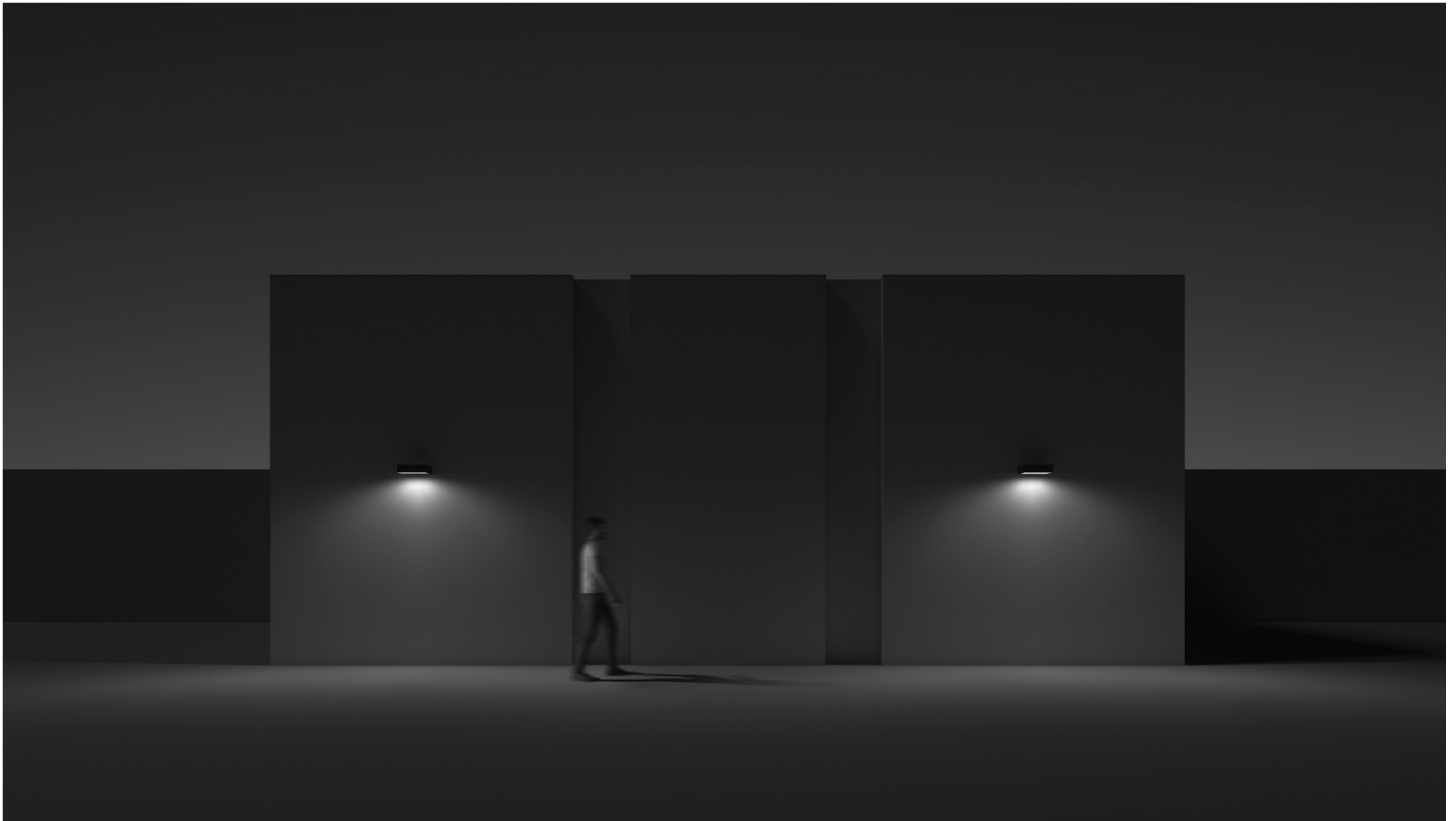
PLS430 CAD ray-tracing simulation demonstrates [S70] and [R65] optics broad downward light distributions. Tailored to the respective lighting task, the series offers variants with symmetric light distribution as well as with asymmetric side or asymmetric forward throw beam characteristics.



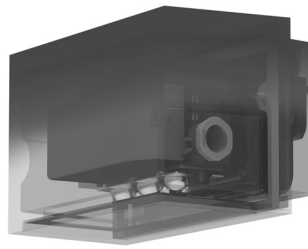
Typical isolux diagram of a single unit PLS430 [A60] installation. With their high lumen packages of up to 6,900 lm, PLS430 wall luminaires can also bridge longer distances and are ideal as uplights for illuminating awnings or canopies.



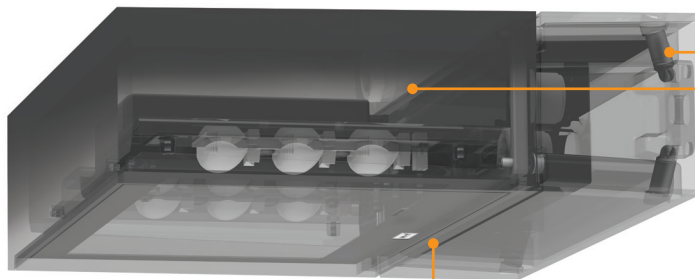
PLS420 [A60]
This usage of the PLS420 showcases the series' seamless ability to function well as an uplight or a downlight.



PLS420 [S70]
The [S70] optical system allows for large spacing intervals between luminaires, as demonstrated in this typical application example.



RLS400

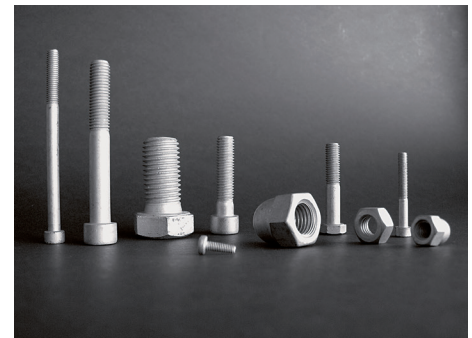


PLS400



PCS hardware

- Austenitic stainless steel
- Tough, impregnated polymer coating
- Non-metallic barrier, protects against galvanic corrosion



Five anti-corrosion properties

- Substrate – marine grade aluminum alloy
- Conversion coating – multi-step pre-treatment
- Powder coating – UV stabilized, architectural grade coating
- PCS hardware – refer to detail below
- Process Control – tightly controlled process and quality checks, up to 3,000-hour salt spray tests



Luminaire does not need to be opened during installation.

www.we-ef.com



WE-EF LIGHTING USA, LLC

United States of America

Tel +1 724 742 0030

Fax +1 724 742 0035

info.usa@we-ef.com

WE-EF LIGHTING

Thailand

Tel +66 2 738 9610

Fax +66 2 175 2174

info.asiapacific@we-ef.com

WE-EF HELVETICA

Switzerland

Tel +41 22 752 49 94

Fax +41 22 752 49 74

info.switzerland@we-ef.com

WE-EF LEUCHTEN

Germany

Tel +49 5194 909 0

Fax +49 5194 909 299

info.germany@we-ef.com

WE-EF LIGHTING

Australia

Tel +61 3 8587 0444

Fax +61 3 8587 0499

info.australia@we-ef.com

WE-EF LUMIERE

France

Tel +33 4 74 99 14 44

Fax +33 4 74 99 14 40

info.france@we-ef.com

Product specifications given in this catalogue reflect their status as of January 2018.

Errors and omissions are excepted. Data given are subject to change without prior notice. The conditions of sale, as published in WE-EF's current price lists and/or business forms, apply. Export transactions require special agreements, particularly with regard to shipment and payment.

PLS400/RLS400 SERIES

Wall Luminaires - Surface Mounted

North American Edition 2020

© WE-EF 2020

WE-EF LIGHTING USA

North America

410-D Keystone Drive

Warrendale, PA 15086

United States of America

Telephone +1 724 742 0030

Fax +1 724 742 0035

info.usa@we-ef.com

www.we-ef.com