

we-ef



CEILING LUMINAIRES

Architecture

**DAC100
DAS100-PM**

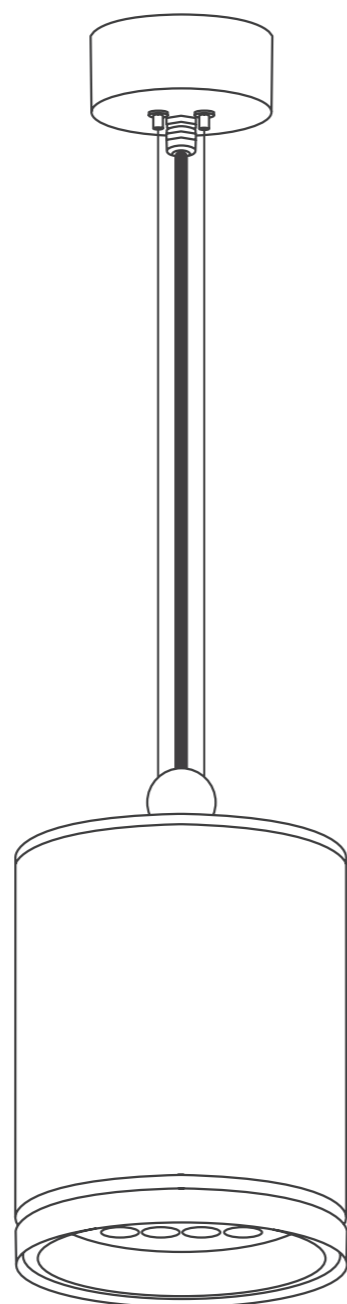
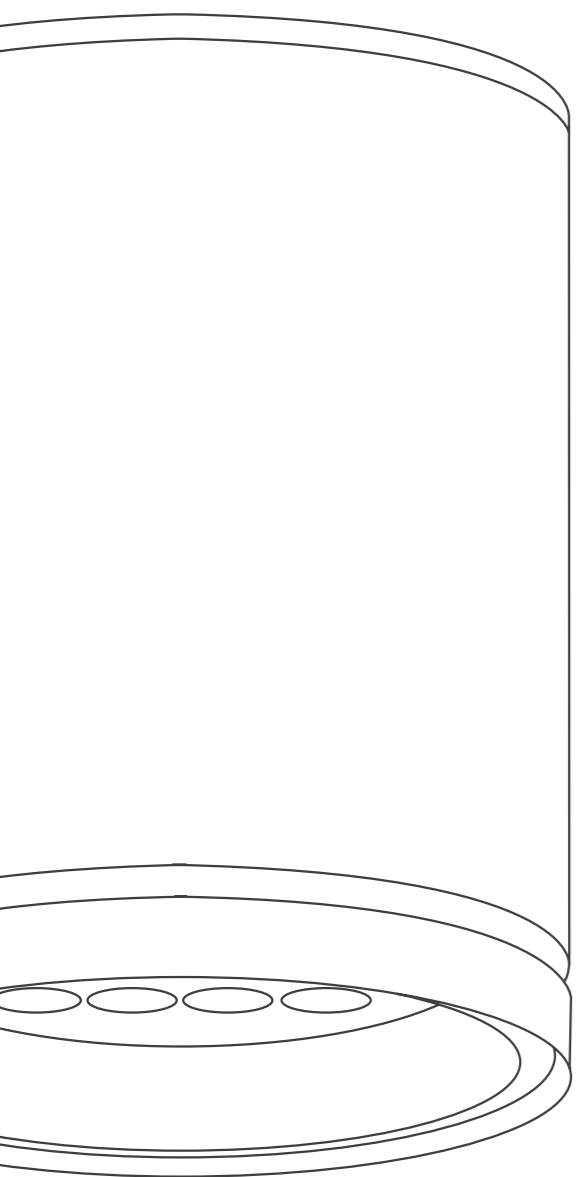


TABLE OF CONTENTS

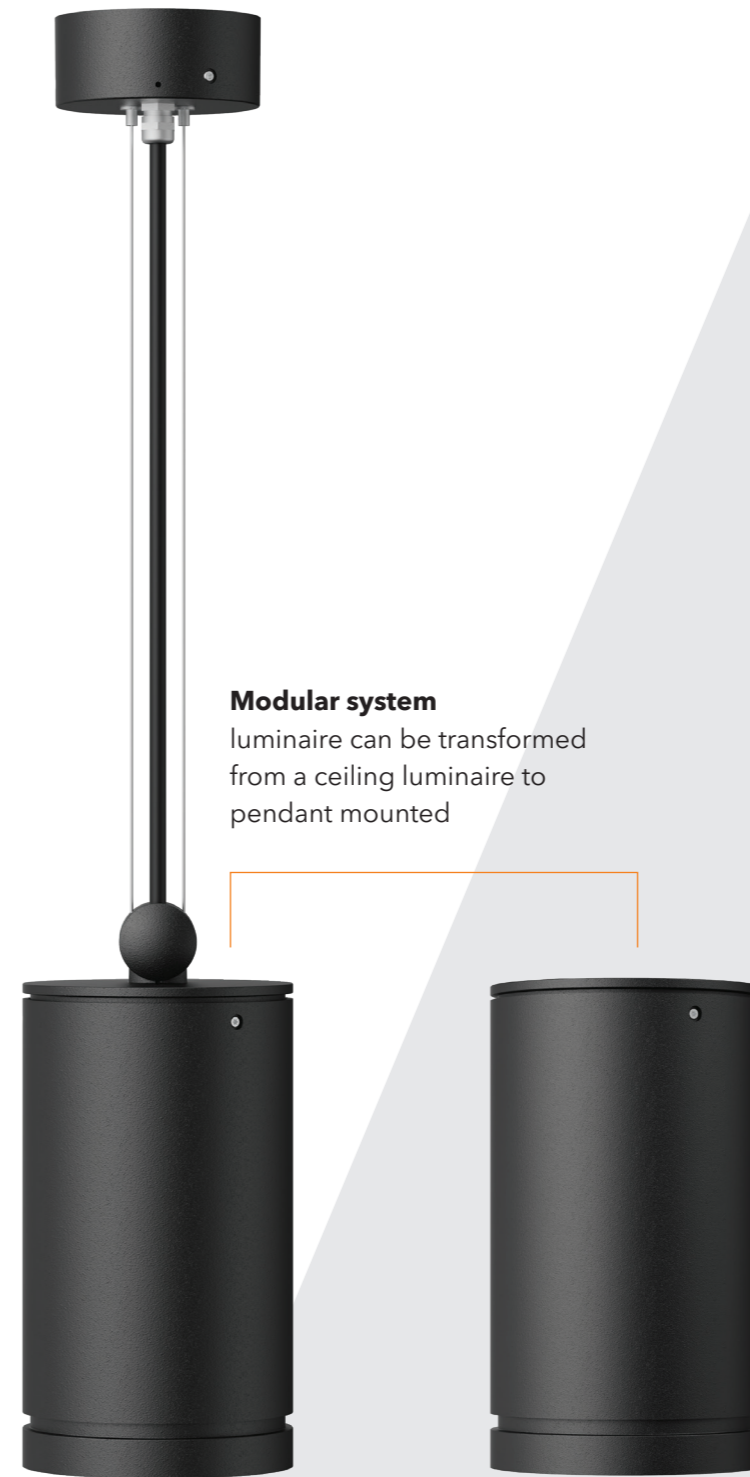
Designer's solution	2
Design evolution	4
Features & benefits	6
Construction	10
Product overview	12
Light distribution overview	16
Internal optical accessories	26
External accessories	30

DESIGNER'S SOLUTION

- There are interior environments like underground stations where the demands on safety, operating reliability and durability are very similar to exterior areas
- It's not always possible to install directly into the ceiling (typically recessed) and so the range has been expanded to include both surface mounted and a new special pendant mounted luminaire
- The DAC '100' series can now be direct installed to a cast ceiling (in compliance with safety regulations), which can give existing buildings new lighting with very little installation work
- WE-EF has also included in such cases the option of a side entry adaptor for through-wiring to make such refurbishments as clean as possible
- Optional special adaptor for sloped ceiling application is available on request (tilt degree approx. 15°-20°)
- Available product line of the same aesthetics for different application group - catenary



DESIGN EVOLUTION



FEATURES & BENEFITS

- Customise length to suit application
- Two cable entries for through wiring
- Adaptor for side conduit entry
- Allow for coherent design throughout the project
- Plug and socket terminal system - neat and safe installation
- Dark sky compliance - zero light emission above the 90° horizontal



5CE



5CE
+PRIMER

Quality checks on finish part up to 3,000 hours salt spray exposure test

5CE + Primer is suitable for coastal and aggressive environments



PCS

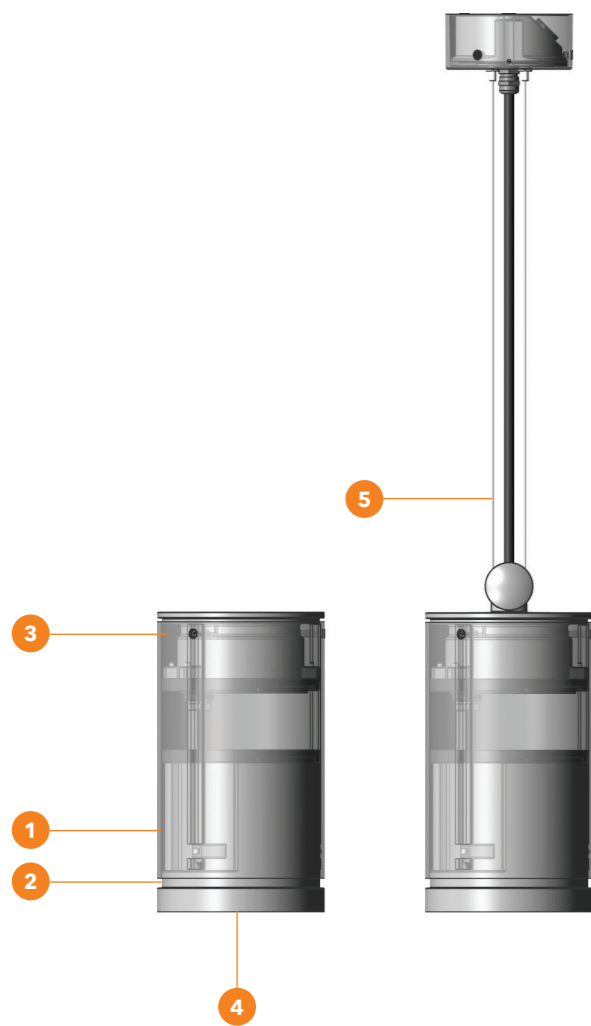
Polymer coated stainless steel hardware protect against galvanic corrosion and ensures longevity

IN NEW LIGHT

Transforming existing architecture with a side entry adaptor, offering through-wiring for easy installation, endless application possibilities

DAC120 [M] medium beam with side entry adaptor [SE]
24 W 2700 K

CONSTRUCTION



Luminaire housing:

Marine-grade, all aluminium construction



IP 66



IK 07



CLASS I

1 Driver

Integral EC electronic converter,
thermally separated

2 LED lens

PMMA lens

3 Gasketing

Silicone CCG®
Controlled Compression Gasket

4 Main lens

Safety glass

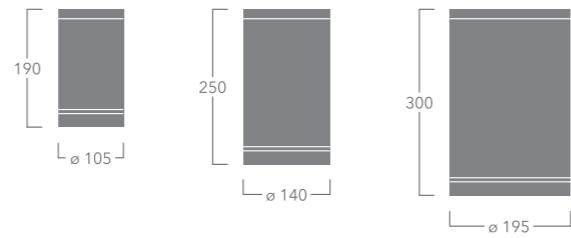
5 Wire

Tensile strength holds up to
four times the luminaire weight
on one wire only (DAS110-PM
does not come with wire)

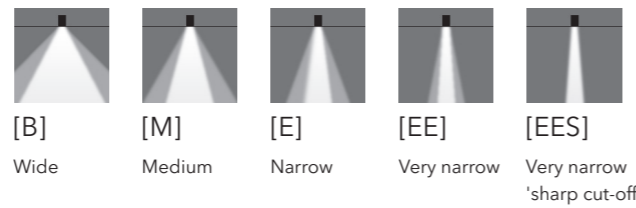


DAS120-PM [EE] pendant mounted with very narrow beam
24 W 3000 K

PRODUCT OVERVIEW

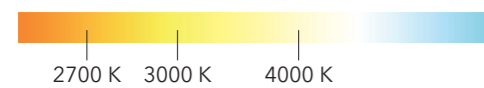


Control options: 1-10 V / DALI



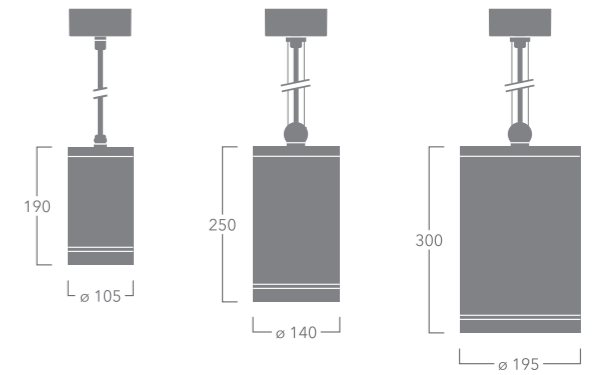
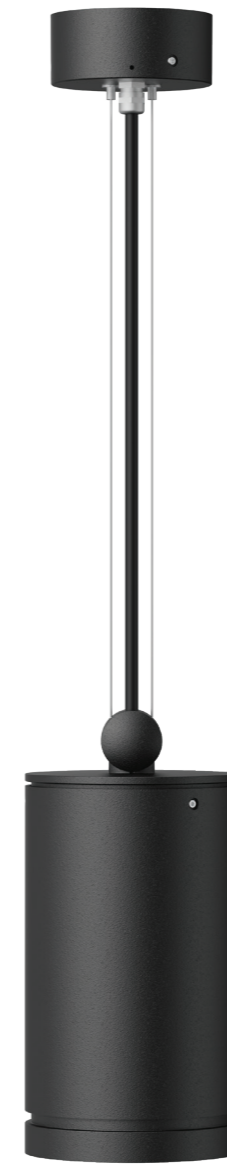
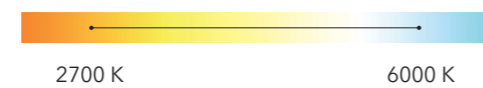
DAC100	Wattage	Light distribution	Rated lumens
DAC110	12 W	[B] [M] [EE] [EES]	970-1300 lm
DAC120	24 W	[B] [M] [EE] [EES]	2170-2680 lm
DAC140	48 W	[B] [M] [EE] [EES]	4480-5270 lm
DAC140 TW	42 W	[B] [M] [E]	4340-4790 lm

Standard white

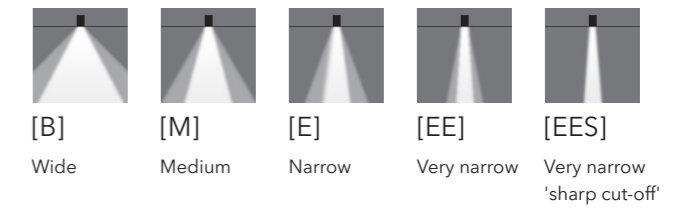


2200 K on request

Tunable white



Control options: 1-10 V / DALI



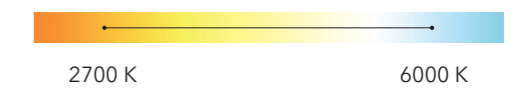
DAS100-PM	Wattage	Light distribution	Rated lumens
DAS110-PM	12 W	[B] [M] [EE] [EES]	970-1300 lm
DAS120-PM	24 W	[B] [M] [EE] [EES]	2170-2680 lm
DAS140-PM	48 W	[B] [M] [EE] [EES]	4480-5270 lm
DAS140-PM TW	42 W	[B] [M] [E]	4340-4790 lm

Standard white



2200 K on request

Tunable white

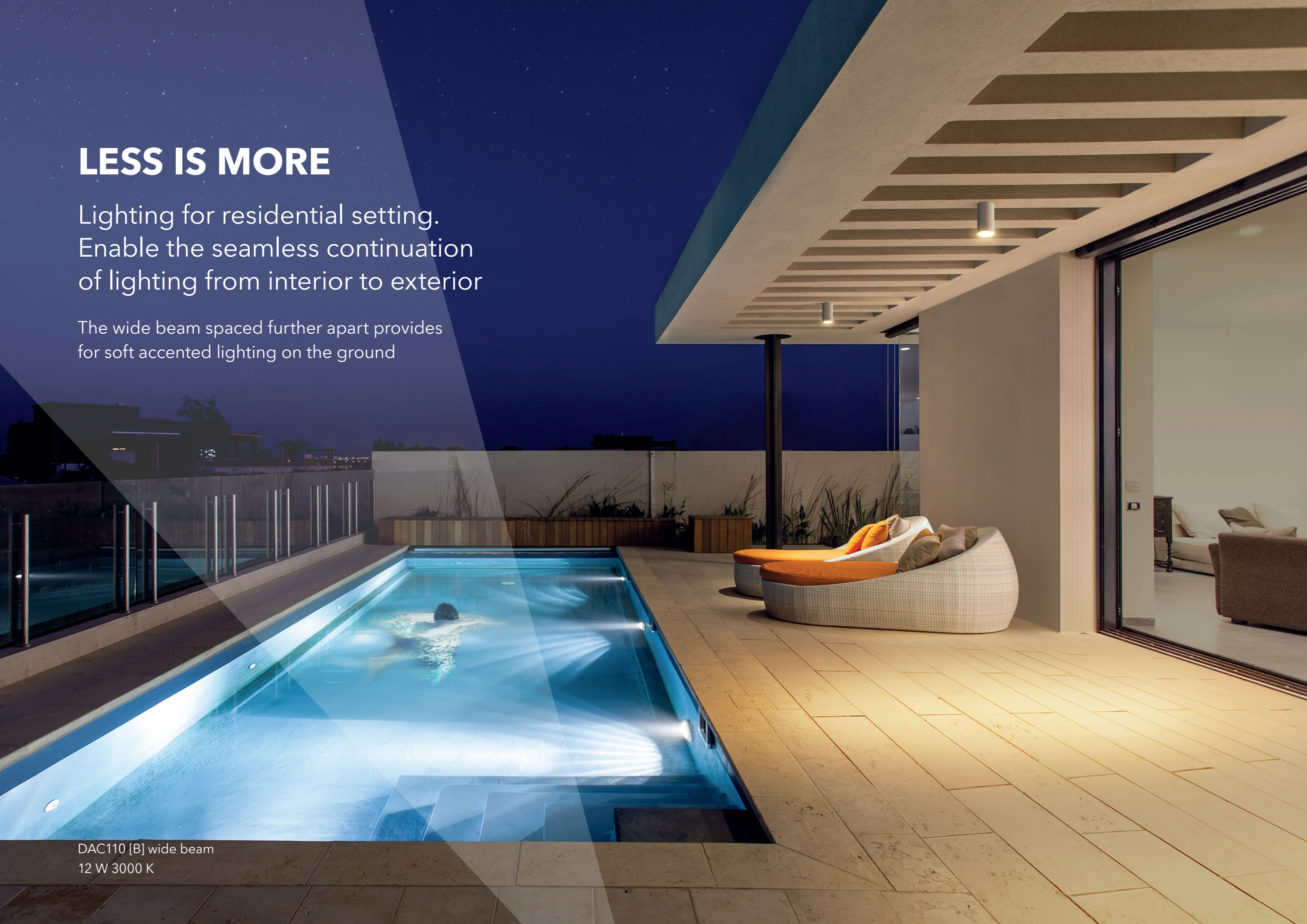


LESS IS MORE

Lighting for residential setting.
Enable the seamless continuation
of lighting from interior to exterior

The wide beam spaced further apart provides
for soft accented lighting on the ground

DAC110 [B] wide beam
12 W 3000 K

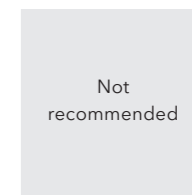
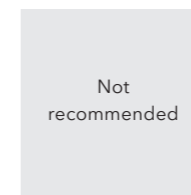


SYMMETRIC LIGHT DISTRIBUTION OVERVIEW

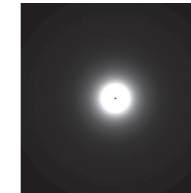
Light distribution + honeycomb louvre

Light distribution + linear spread lens

[B]
Wide



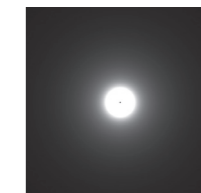
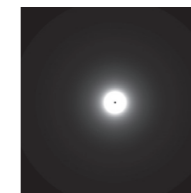
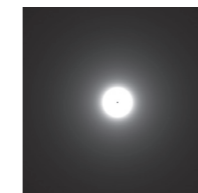
[M]
Medium



[E]
Narrow
(For TW
Tunable White only)

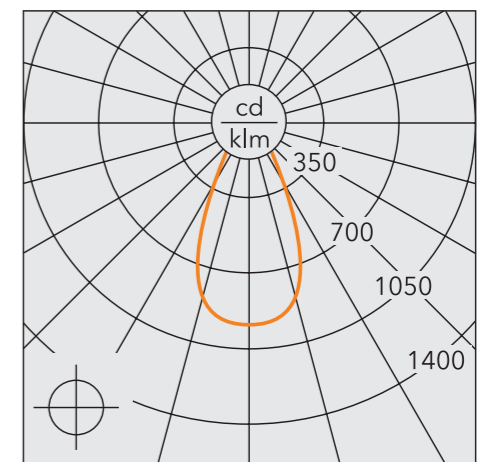
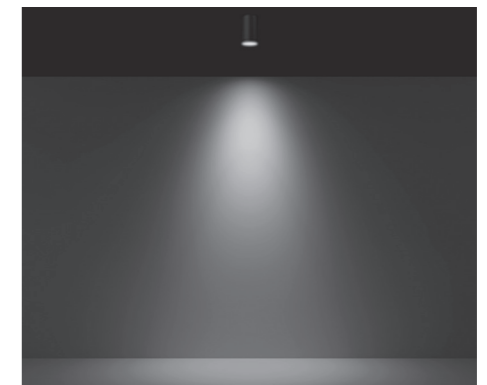


[EE]
Very narrow

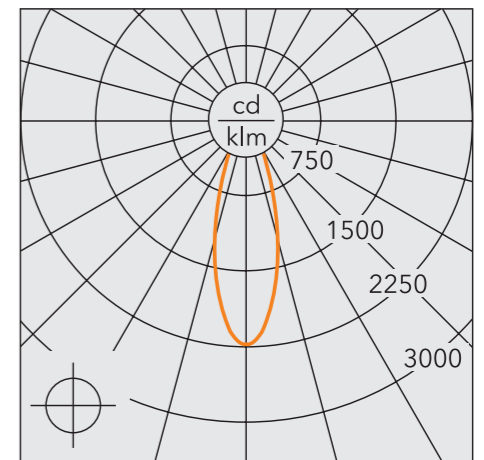
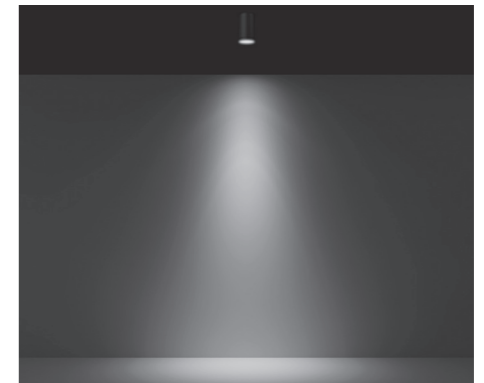


[EES]
Very narrow
'sharp cut-off'

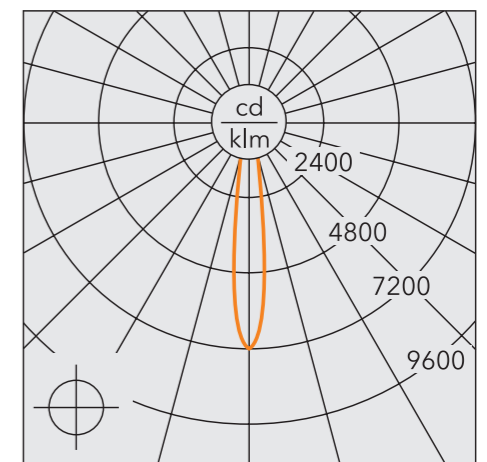




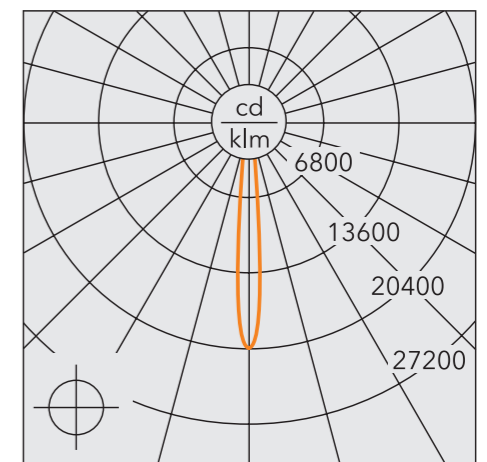
[B] Wide
(23° / 23°)



[M] Medium
(16° / 16°)



[EE] Very narrow
(7° / 7°)



[EES] Very narrow, 'sharp cut-off'
(5° / 5°)

INTERNAL OPTICAL ACCESSORIES

Internal optical accessories are factory-installed and must be specified at the time of ordering

1 Honeycomb louvre for [M] [E] [EE] [EES]

Suitable for:
Reducing effects of glare at 45° angle with minimal loss of light output. It can also be used in application such as wall grazing to cut-off stray light (glare) from the beam centre. It decreases centre beam brightness by about 30%. Most commonly used to address glare control.

2 Linear spread lens for [M] [E] [EE] [EES]

Suitable for:
Spreading light horizontally or vertically with a 55°-60° spread. Ideal for diffusing and elongating a beam of light to structures such as columns, illuminating passages and corridor. Providing an extra level of control in lighting applications.

DAC100

DAS100-PM

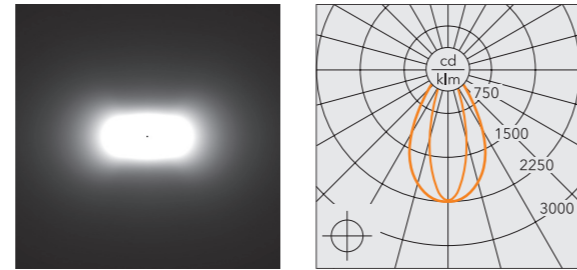


1

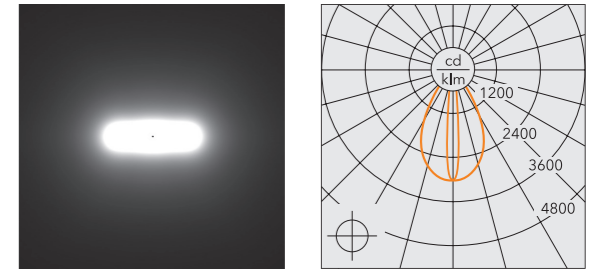


2





[M] Medium + linear spread lens
(34° / 34°)

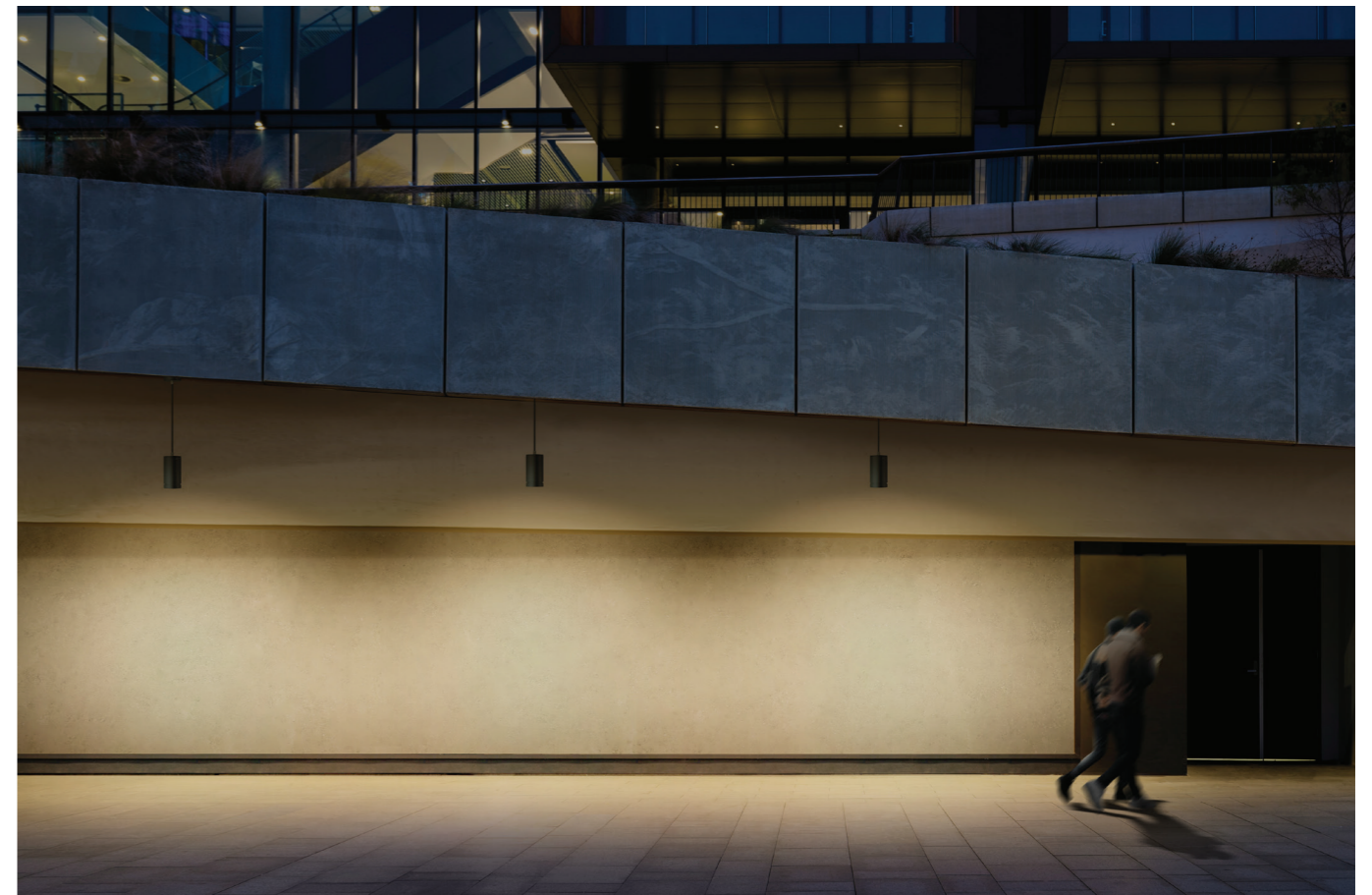


[EES] Very narrow, 'sharp cut-off' +
linear spread lens (30° / 30°)

[M] + LINEAR SPREAD LENS



[EES] + LINEAR SPREAD LENS



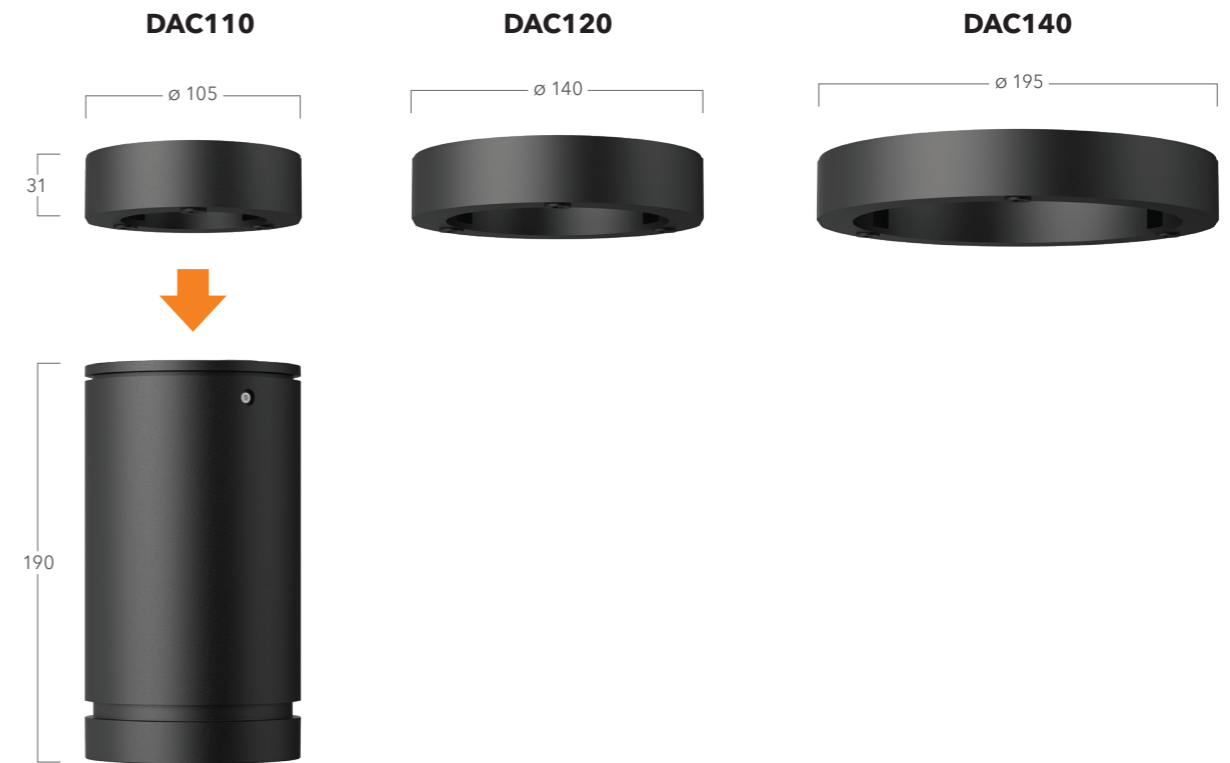
EXTERNAL ACCESSORIES



Adaptor for side conduit entry for on-ceiling installation with possibility for through-wiring

Suitable for:
Refurbishment projects where wiring cannot be done inside the ceiling. The adaptor provides a quick, easy and clean installation with the design/colour to match to the luminaire, creating a seamless connection between luminaire and accessory.

Shown above is an example of DAC110-SE side entry adaptor



Type	Height (mm)	Type + accessory	Height (mm)
DAC110	190	DAC110-SE	220
DAC120	250	DAC120-SE	280
DAC140 / DAC140 TW	300	DAC140-SE / DAC140-SE TW	330

we-ef

A Fagerhult Group Company

WE-EF LEUCHTEN GmbH

Toepinger Strasse 16

D-29646 Bispingen

Germany

+49 5194 909 0



we-ef.com