



we-ef

Global launch
September 2021

PRODUCT

DAC100

DAS100-PM

PRODUCT GROUP

Architecture

TABLE OF CONTENTS

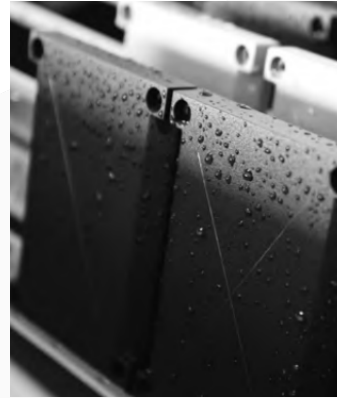
03	Designer's solution
04	Features & benefits
05	Design evolution
06	Overview
07	Variants
09	Light distributions
15	Accessories
20	Installations
24	Applications
28	Roadshow case

DESIGNER'S SOLUTION

- There are interior environments like underground stations where the demands on safety, operating reliability and durability are very similar to exterior areas
- It's not always possible to install directly into the ceiling (typically recessed) and **so the range has been expanded to include both surface mounted and a new special pendant mounted**
- The DAC '**100'** **series can now be direct installed to a cast ceiling** (in compliance with safety regulations), which can give existing buildings new lighting with very little installation work
- WE-EF has also included in such cases the **option of a side entry adaptor for through-wiring** to make such refurbishments as clean as possible
- **Optional special adaptor for sloped ceiling application** is available on request (tilt degree approx. 15-20°)
- **Available product line of the same aesthetics** for different application group – **catenary**

FEATURES & BENEFITS

- **Customise length** to suit application
- Two cable entries for **through wiring**
- Adaptor for **side conduit entry**
- Allow for **coherent design** throughout the project
- **Plug and socket terminal system** – neat and safe installation
- **Dark sky compliance** – zero light emission above the 90° horizontal



5CE



5CE
+PRIMER

5CE quality checks on finish part up to 3,000 hours salt spray exposure test

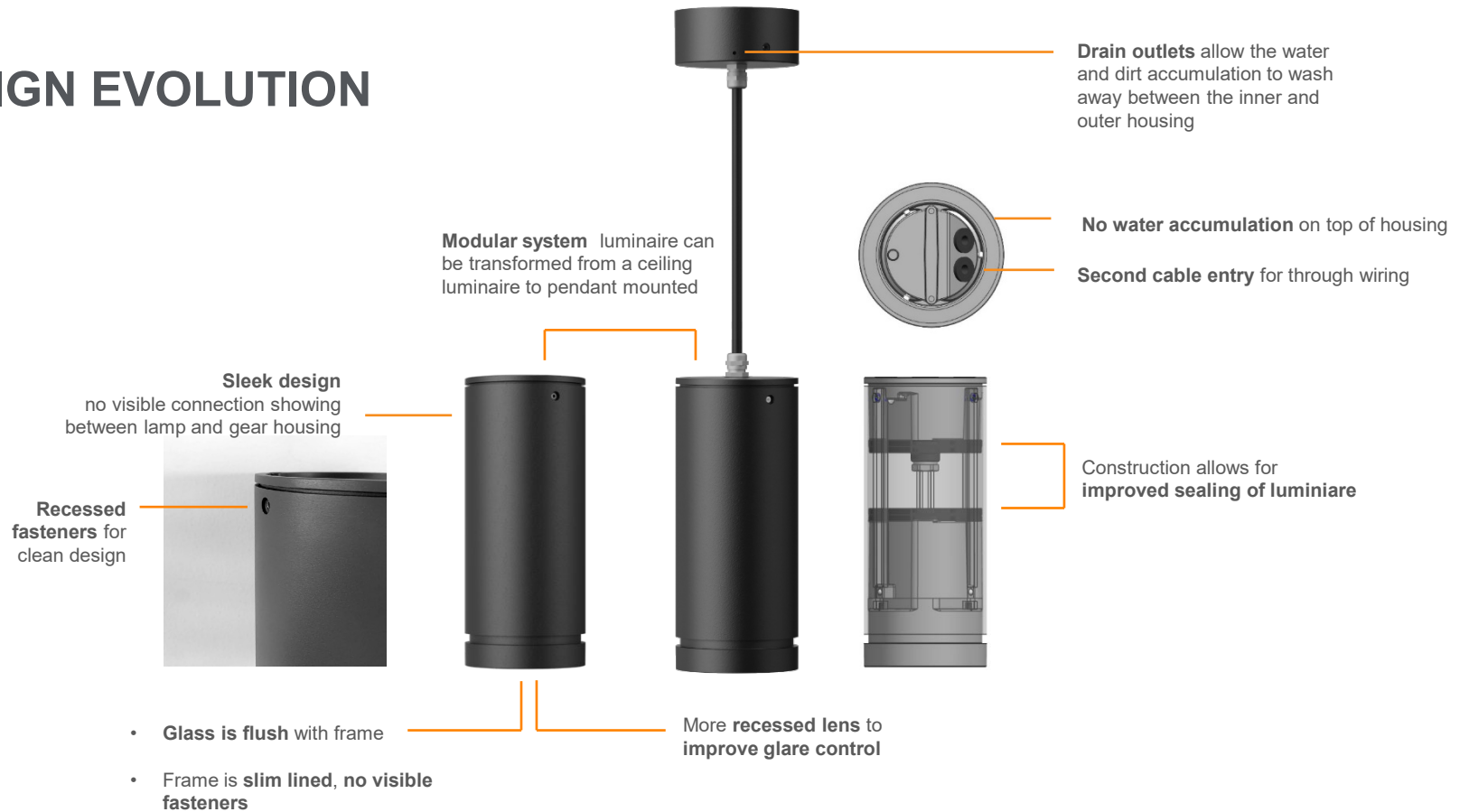
5CE + Primer is suitable for coastal and aggressive environments



PCS

Polymer coated stainless steel hardware protect against galvanic corrosion and ensures longevity

DESIGN EVOLUTION



OVERVIEW



IP 66



IK 07



CLASS I

Luminaire housing:

Marine-grade, die-cast aluminium construction

Control options:

1-10 V, DALI



[B]
Wide



[M]
Medium



[E]
Narrow



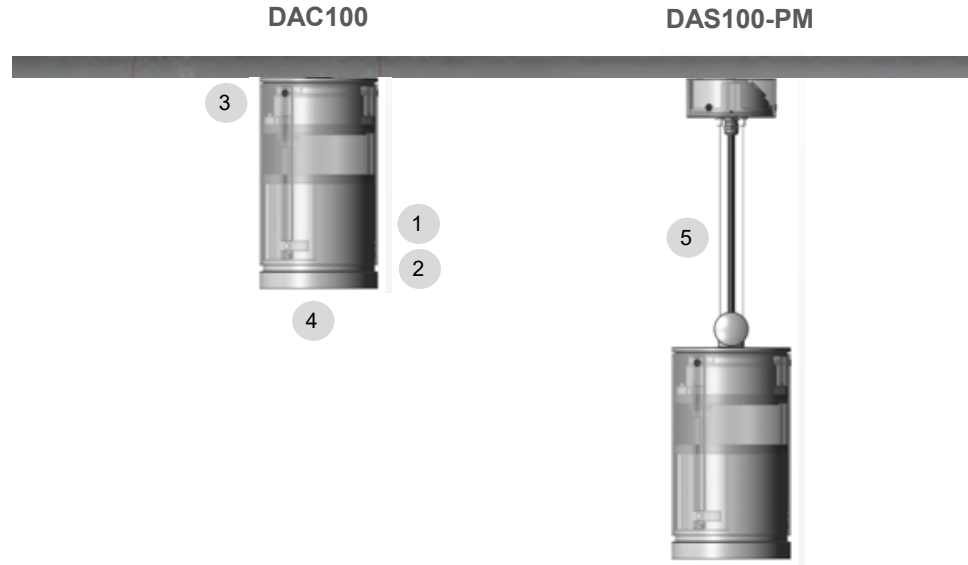
[EE]
Very
narrow



[EES]
Very narrow
'sharp cut off'

we-ef

© WE-EF 2021



- 1 Driver**
Integral EC electronic converter, thermally separated
- 2 LED lens**
PMMA lens
- 3 Gasketing**
Silicone CCG®
Controlled Compression Gasket

- 4 Main lens**
Safety glass
- 5 Wire**
Tensile strength holds up to four times the luminaire weight on one wire only
(DAS110-PM does not come with wire)

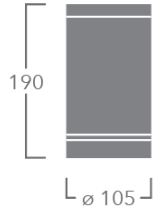
VARIANTS – DAC100

DAC110

12 W

1082-1476 lm

[B] [M] [EE] [EES]

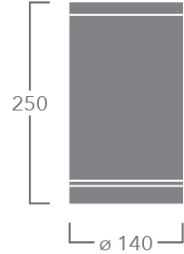


DAC120

24 W

2170-2680 lm

[B] [M] [EE] [EES]

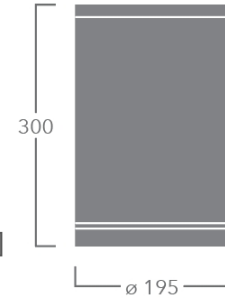


DAC140

48 W

4480-5270 lm

[B] [M] [EE] [EES]



DAC140 TW

42 W

4340-4790 lm

[B] [M] [E]

Standard white

2200 K on request



Standard white

2200 K on request

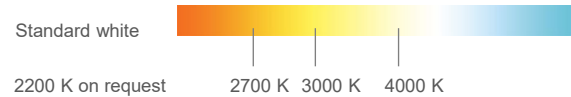
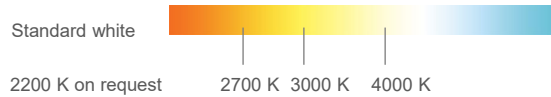
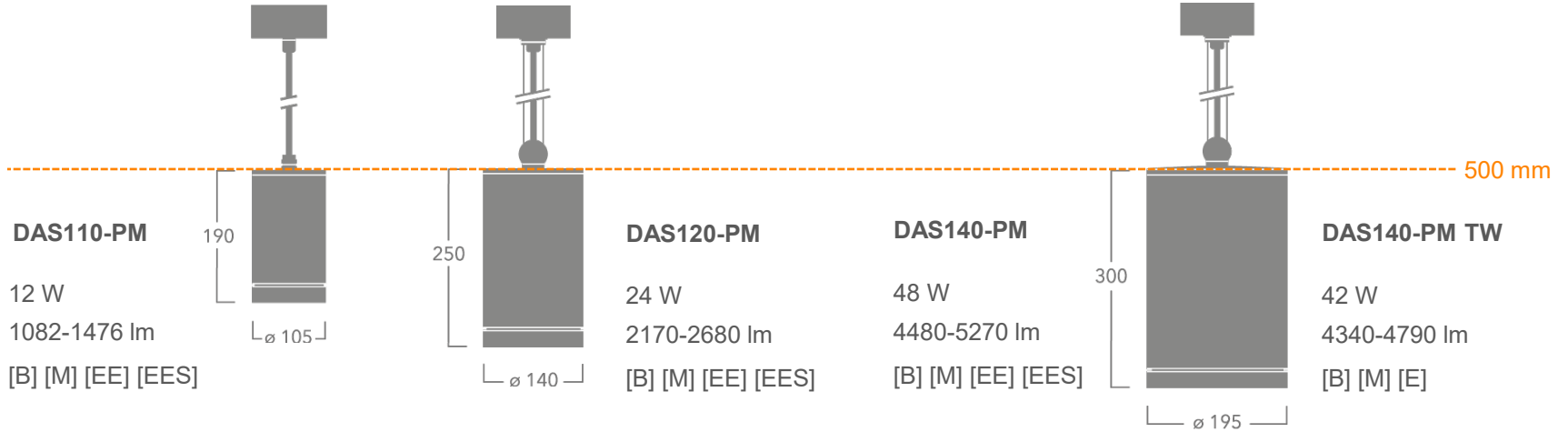


Tunable white

2700 K

6000 K

VARIANTS – DAS100-PM

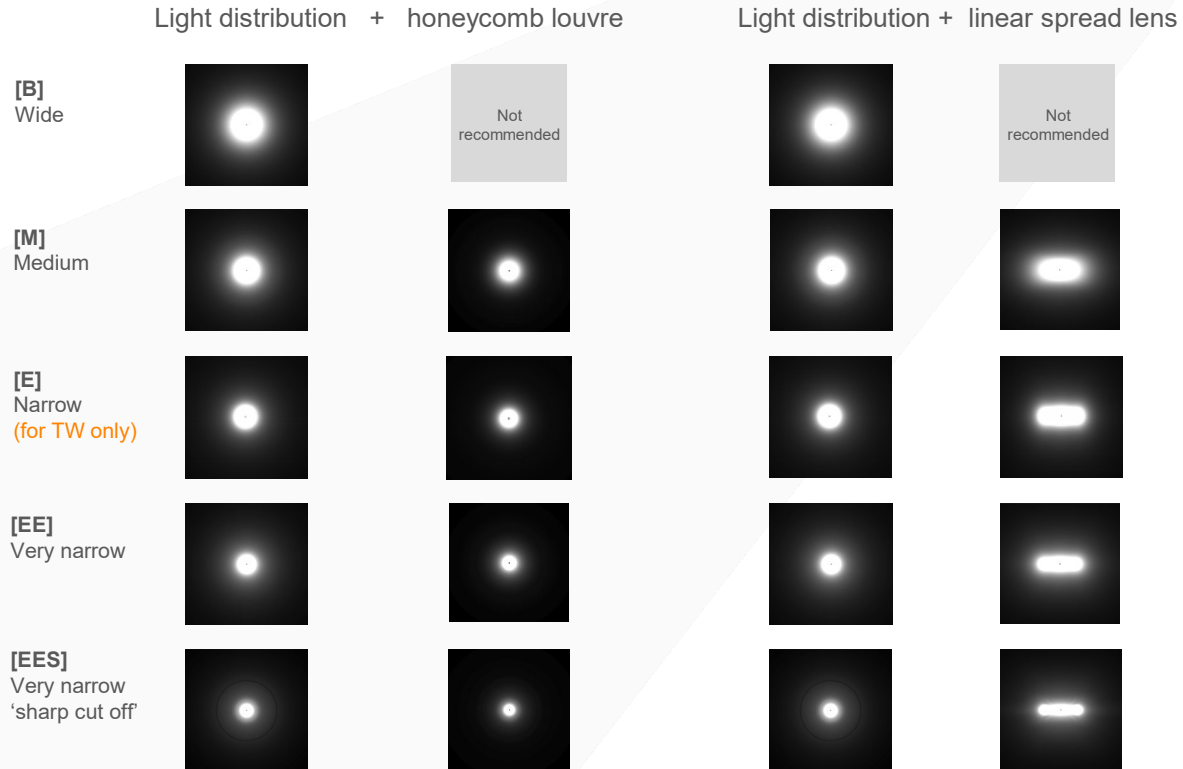


LIGHT DISTRIBUTIONS

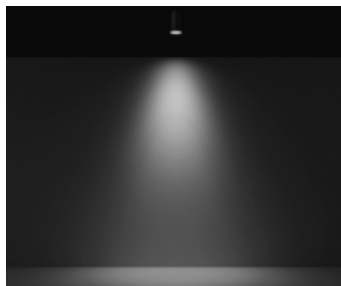
we-ef

© WE-EF 2021

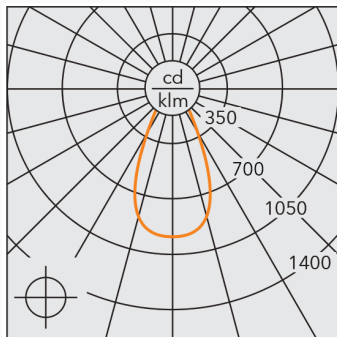
OVERVIEW LIGHT DISTRIBUTION



SYMMETRIC DISTRIBUTION

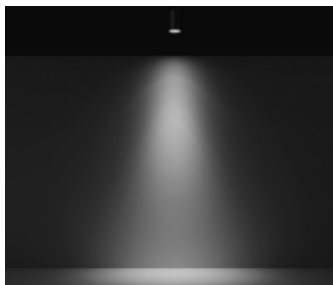


[B] Wide
(25° / 25°)

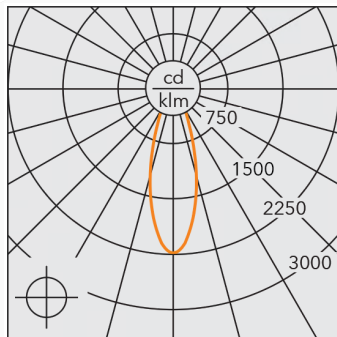


DAS120 PM [B]
3000 K

SYMMETRIC DISTRIBUTION

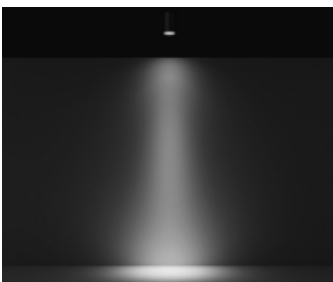


[M] Medium
(16° / 16°)

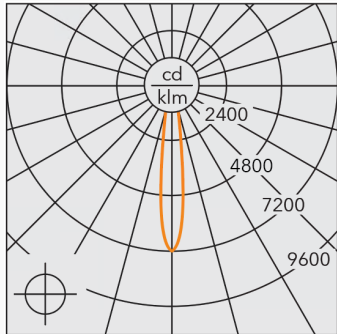


DAC140 [M] + [EE]
3000 K

SYMMETRIC DISTRIBUTION

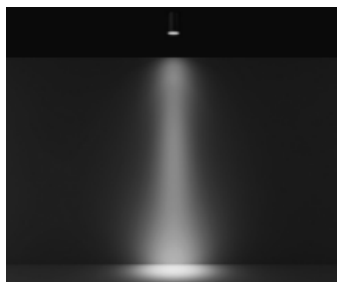


[EE] Very narrow
(7° / 7°)

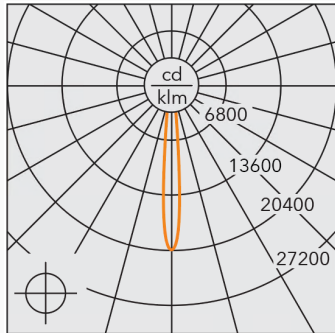


DAC120 [EE]
3000 K

SYMMETRIC DISTRIBUTION



[EES] Very narrow 'sharp cut off'
(5° / 5°)



DAC110 [EES]
2700 K

INTERNAL OPTICAL ACCESSORIES

Internal optical accessories are factory-installed and must be specified at the time of ordering

1 **Honeycomb louvre for [M] [E] [EE] [EES]**

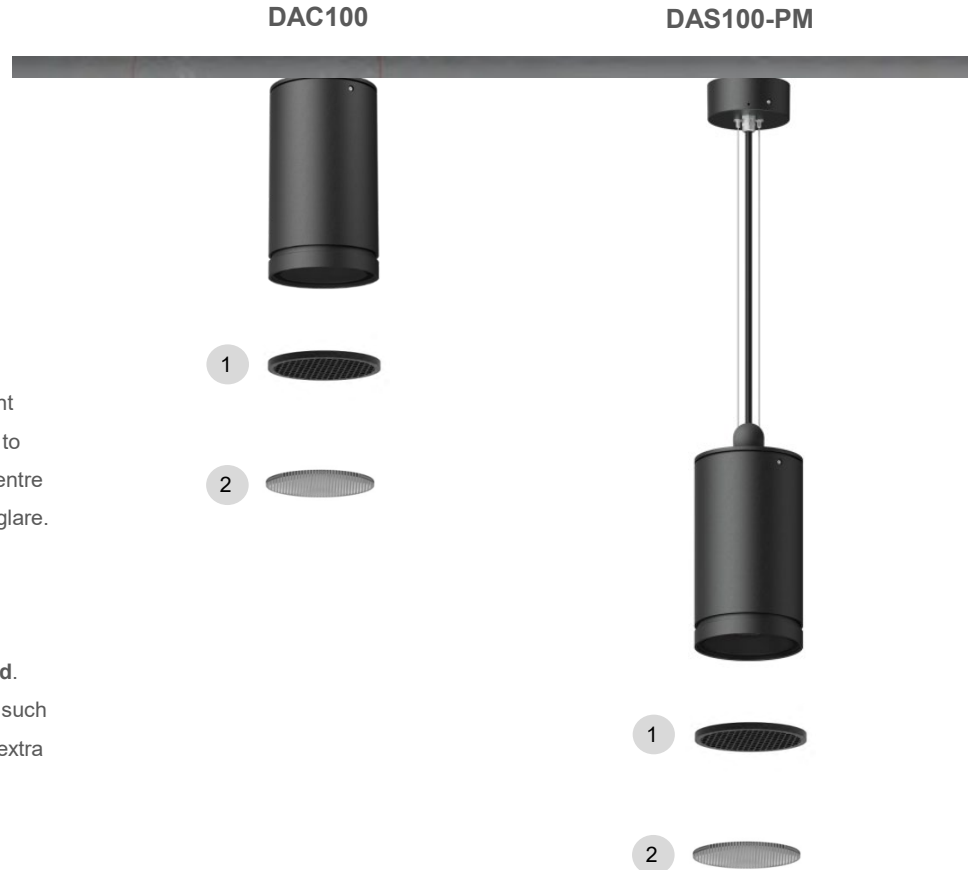
Suitable for:

Reducing effects of glare at **45° angle** with minimal loss of light output. It can also be used in application such as wall grazing to cut-off stray light (glare) from the beam centre. It decreases centre beam brightness by about 30%. It's main use is in controlling glare.

2 **Linear spread lens for [M] [E] [EE] [EES]**

Suitable for:

Spreading light horizontally or vertically with a **55° - 60° spread**. Ideal for diffusing and elongating a beam of light to structures such as columns, illuminating passages and corridor. Providing an extra level of control in lighting applications.

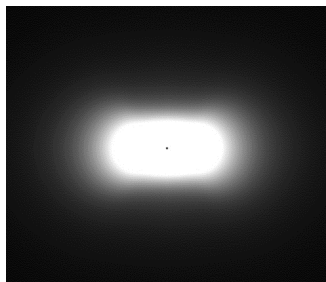


ACCESSORIES

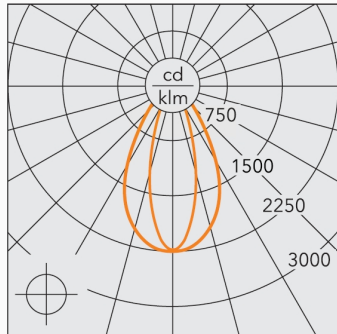
we-ef

© WE-EF 2021

[M]+ LINEAR SPREAD LENS

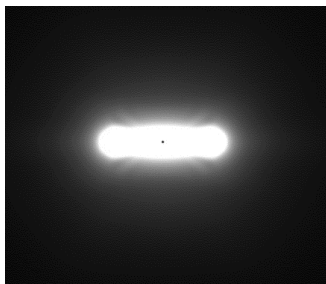


[M] Medium + linear spread lens
(34° / 34°)

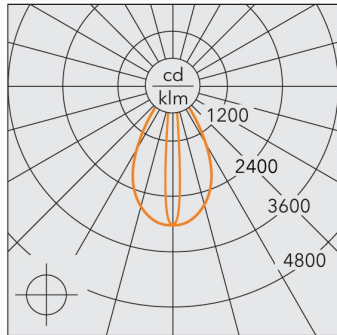


DAC120 [M] + IO-180 linear spread lens
2700 K

[EES]+ LINEAR SPREAD LENS



[EES] Very narrow 'sharp cut-off' + linear spread lens (30° / 30°)



DAS110 PM [EES] + IO-180 linear spread lens
2700 K

EXTERNAL ACCESSORIES

Adaptor with side conduit entry for on-ceiling installation with possibility for through-wiring.

- Suitable for:** Refurbishment projects where wiring cannot be done inside the ceiling. The adaptor provides a quick, easy and clean installation with the design/colour to match to the luminaire, creating a seamless connection between luminaire and accessory.

Type	Height (mm)	Type + accessory	Height (mm)
DAC110	190	DAC110-SE	220
DAC120	250	DAC120-SE	280
DAC140 / DAC140 TW	300	DAC140-SE / DAC140-SE TW	330



DAC110

ø 105



| 31



DAC120

ø 140



DAC140

ø 195

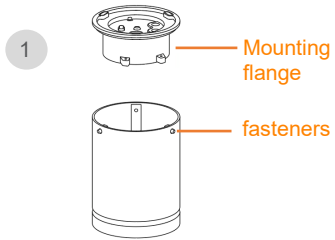


INSTALLATIONS

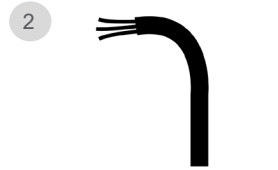
we-ef

© WE-EF 2021

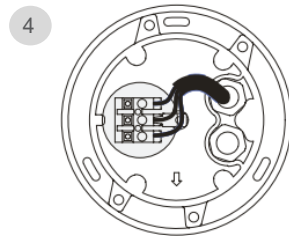
DAC110/120 – Height 190 mm



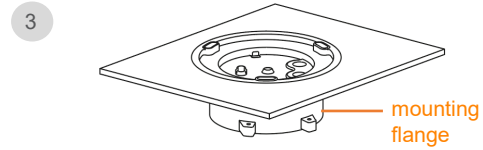
- Loosen fasteners
- Remove mounting flange from luminaire



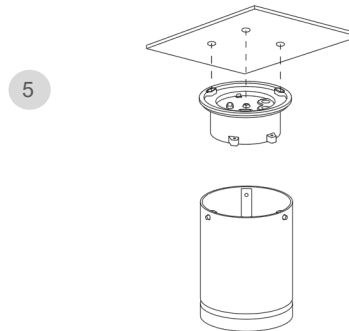
Wire through glands



Connect wires to terminal

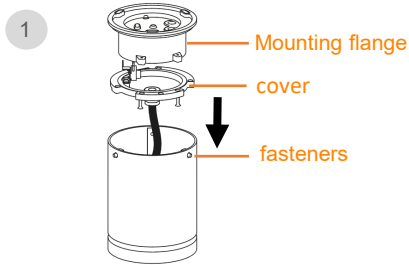


Install mounting flange onto ceiling

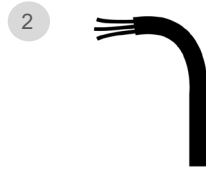


Install luminaire on mounting flange and tighten fasteners

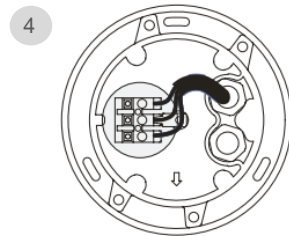
DAC110/120 – Height 250/300 mm



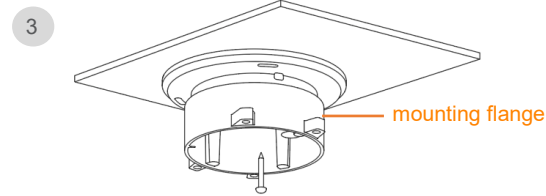
- Loosen fasteners
- Remove mounting flange from luminaire
- Remove cover



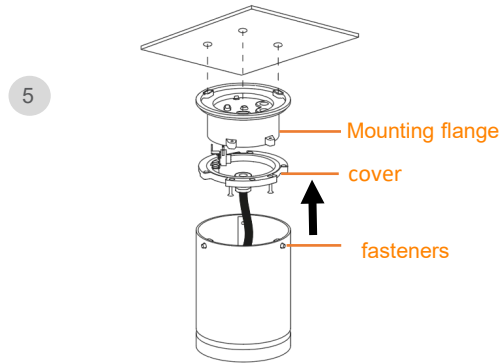
Wire through glands



Connect wires to terminal

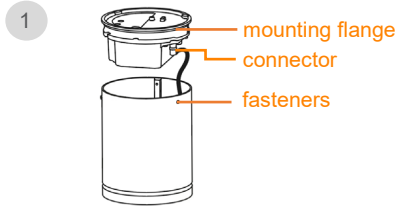


Install mounting flange onto ceiling

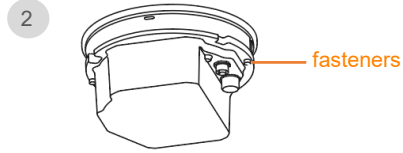


- Fix cover to the mounting flange and tighten fasteners
- Place luminaire onto mounting flange and tighten fasteners

DAC140 – Height 300 mm



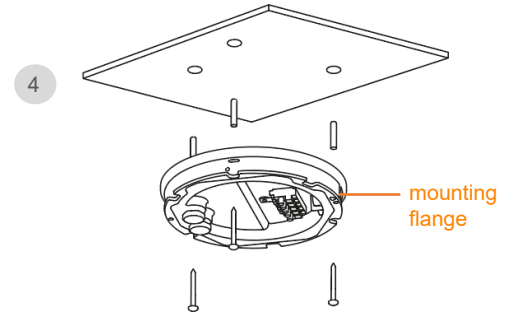
- Loosen fasteners
- Remove mounting flange from luminaire
- Loosen connector



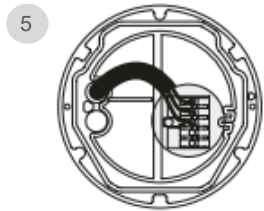
- Loosen fasteners
- Remove cover from mounting flange



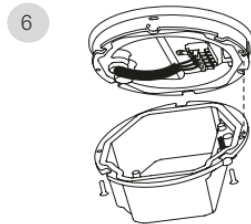
Wire through glands



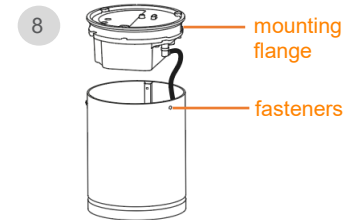
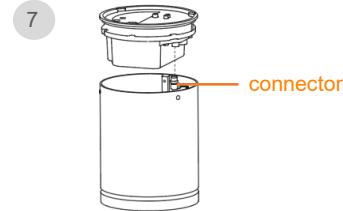
Install mounting flange onto ceiling



Connect wires to terminal



Place cover on mounting flange



APPLICATIONS

we-ef

© WE-EF 2021



DAC110 [B] 12 W
3000 K

we-ef

© WE-EF 2021



DAC120-SE [M] 24 W
2700 K

we-ef

© WE-EF 2021



DAS120-PM [EE] 24 W
2700 K

we-ef

© WE-EF 2021

ROADSHOW CASE



In the box

- 1 DAC110 [EES] 6 LED 12W 700mA
- 2 DAC120 [EES] 12 LED 24W 700mA
- 3 DAS120-PM KIT (pendant mounted)
- 4 DAS120 KIT (catenary)
- 5 DAC120 SE adaptor
- 6 IO-180 linear spread lens
- 7 Honeycomb louvre
- 7 [M] + [EES] lens
- 8 Mains cable
- 9 WE-EF presentation mat
- 11 Mini tool
- 12

we-ef

© WE-EF 2021