

**we-ef**

Global launch  
September 2021



## PRODUCT

DAS100

ZFS400 / ZFS400-FT

PRODUCT GROUP

City

# TABLE OF CONTENTS

## DAS100

04	Designer's solution
05	Product line philosophy
06	Features & benefits
08	Overview
09	Variants
10	Light distributions
16	Accessories
19	Installations
21	Applications
24	Roadshow case

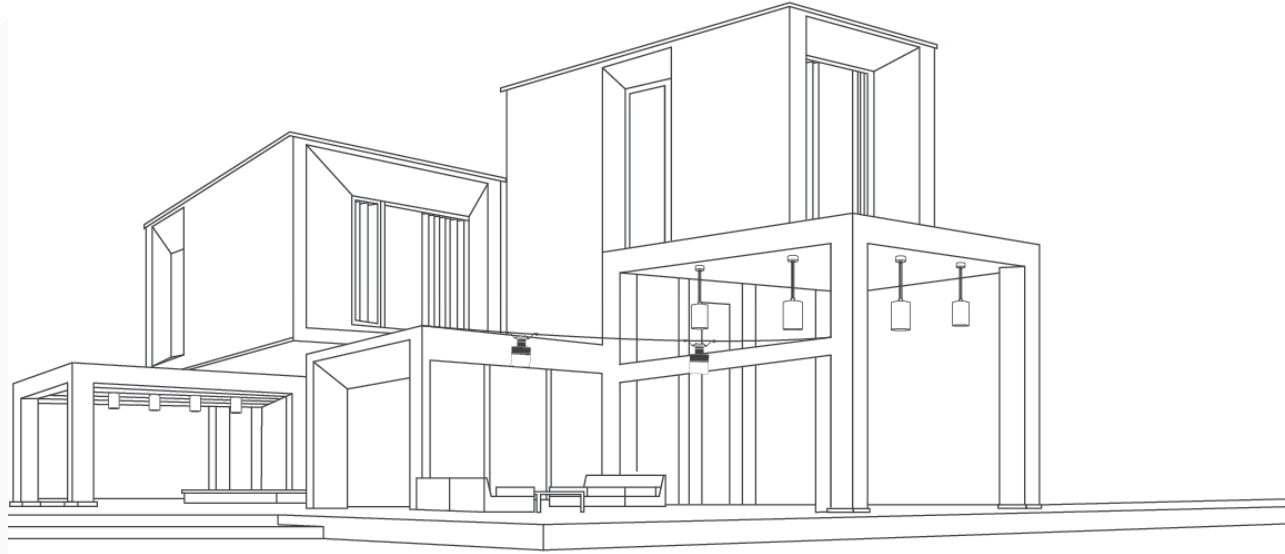
## ZFS400 / ZFS400-FT

25	Product line philosophy
26	Features & benefits
29	Overview
30	Variants
31	Connectivity
32	Light distributions
38	Installation
39	Applications

# DAS100 catenary mounted

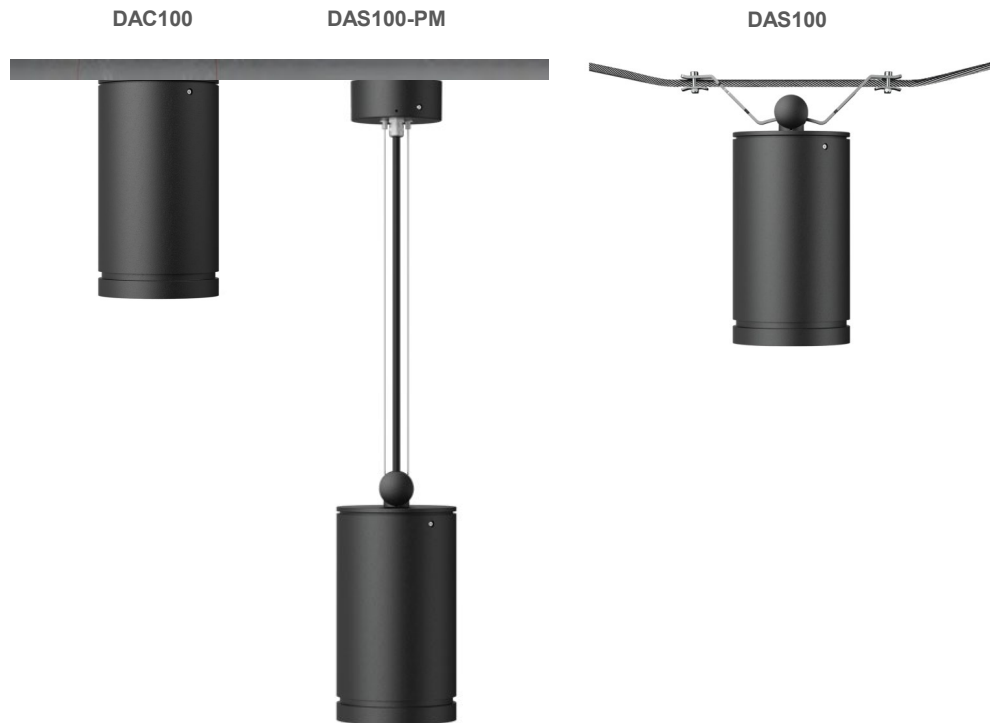
# DESIGNER'S SOLUTION

- Lighting design objectives can be **achieved without clutter of a post**
- Allows for **consistent design** throughout the whole project **from ceiling application to catenary**



# PRODUCT LINE PHILOSOPHY

**Simple modular system** means that the same luminaire can be transformed from a **ceiling** luminaire to a **pendant mounted** luminaire and a **catenary**.

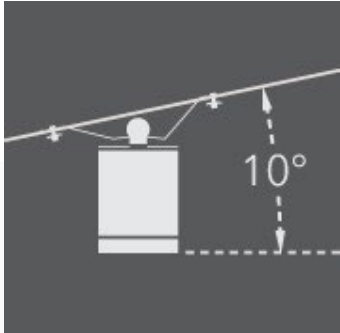


**we-ef**

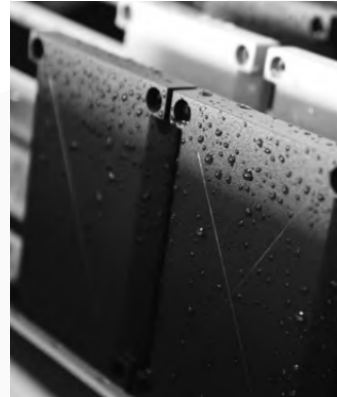
© WE-EF 2021

# FEATURES & BENEFITS

- Ability to vary the length in 100 mm increment
- **Coherent design** across product groups



Suspension adjustable  $\pm 10^\circ$



5CE



5CE  
+PRIMER

5CE quality checks on finish part up to 3,000 hours salt spray exposure test

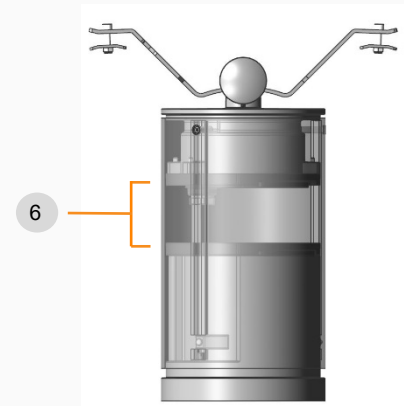
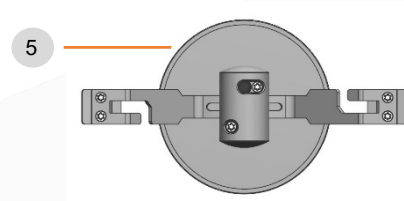
5CE + Primer is suitable for coastal and aggressive environments



PCS

Polymer coated stainless steel hardware protect against galvanic corrosion and ensures longevity

# FEATURES & BENEFITS



- 1 **Uncompromising durability**  
a single piece of etched stainless steel connection mechanism
- 2 **Sleek design**  
no visible connection showing between lamp and gear housing
- 3 **Glass** is flush with frame  
  
More recessed lens to **improve glare control**
- 4 Frame is **slim lined, no visible fasteners**
- 5 **No water accumulation** on top of housing
- 6 Construction allows for **improved sealing of luminaire**

# OVERVIEW



IP 66



IK 07



CLASS I



FACTORY SEALED

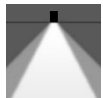
## Luminaire housing:

Marine-grade, die-cast aluminium alloy for inner housing

Aluminium extrusion for outer body

## Control options:

1-10 V, DALI



[B]  
Wide



[M]  
Medium



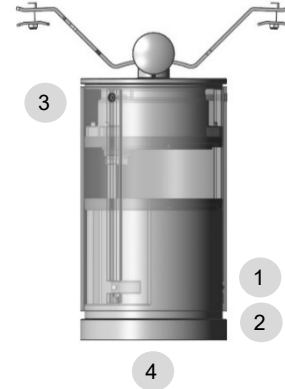
[E]  
Narrow



[EE]  
Very narrow



[EES]  
Very narrow  
'sharp cut off'



1 **Driver**  
Integral EC electronic converter

2 **LED lens**  
PMMA

3 **Gasketing**  
Silicone CCG®  
Controlled Compression Gasket

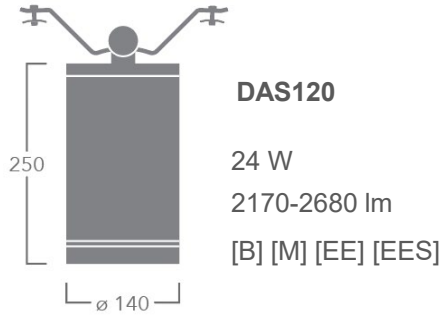
4 **Main lens**  
Safety glass, hinged, frame with  
safety catch

**we-ef**

© WE-EF 2021

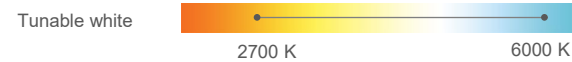
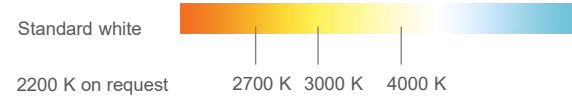
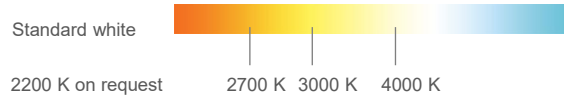
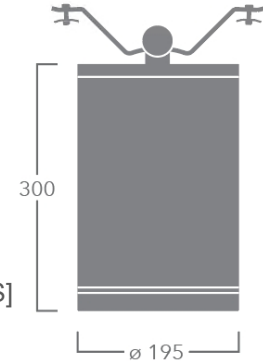


# VARIANTS – DAS100



**DAS140**

48 W  
4480-5270 lm  
[B] [M] [EE] [EES]

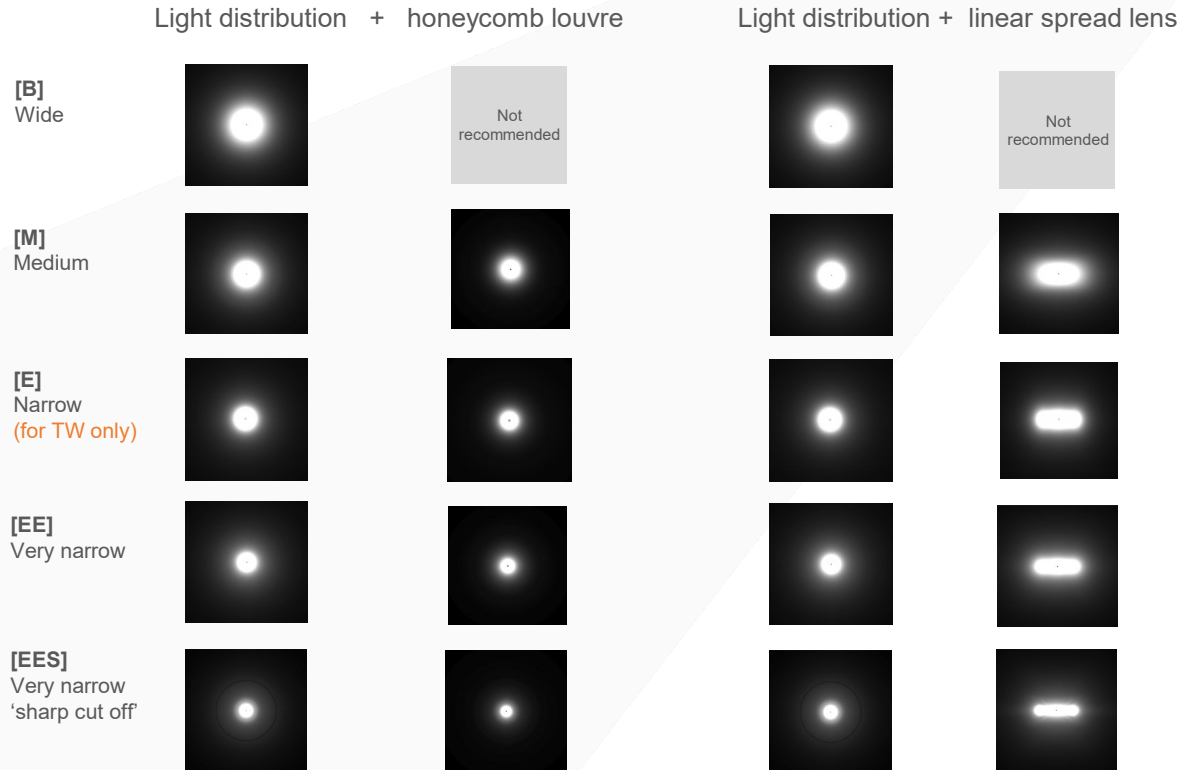


# LIGHT DISTRIBUTIONS

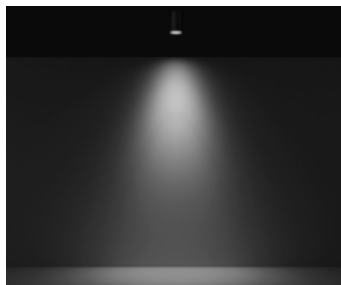
***we-ef***

© WE-EF 2021

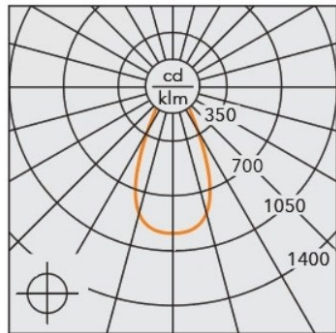
# OVERVIEW LIGHT DISTRIBUTION



# SYMMETRIC DISTRIBUTION

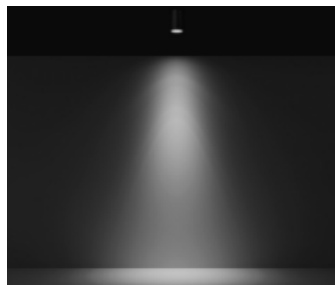


[B] Wide  
(25° / 25°)

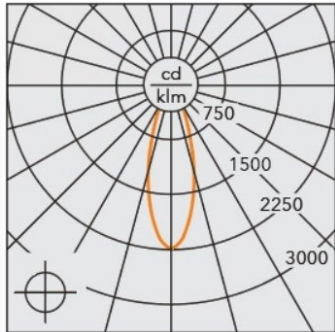


DAS120 [B]  
3000 K

# SYMMETRIC DISTRIBUTION

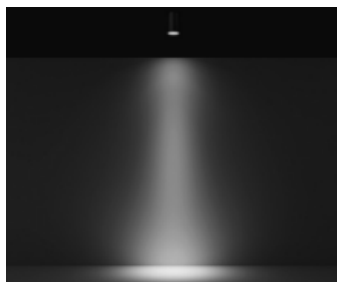


[M] Medium  
(16° / 16°)

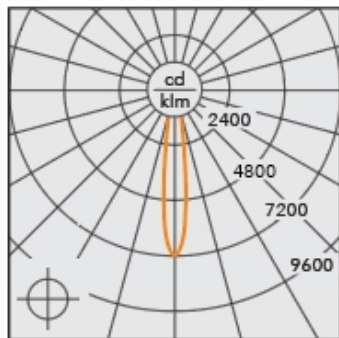


DAS120 [M]  
2700 K

# SYMMETRIC DISTRIBUTION



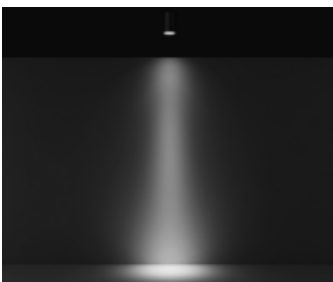
[EE] Very narrow  
(7° / 7°)



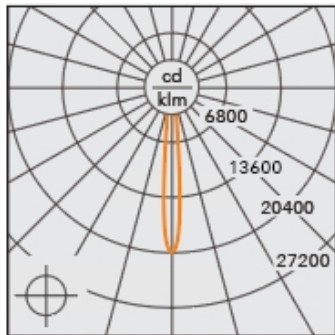
DAS140 [EE]  
3000 K



# SYMMETRIC DISTRIBUTION



[EES] Very narrow 'sharp cut off'  
(5° / 5°)



DAS120 [EES]  
3000 K

# ACCESSORIES

***we-ef***

© WE-EF 2021



# INTERNAL OPTICAL ACCESSORIES

Internal optical accessories are factory-installed and must be specified at the time of ordering

1 **Honeycomb louvre for [M] [E] [EE] [EES]**

**Suitable for:**

Reducing effects of glare at **45° angle** with minimal loss of light output. It can also be used in application such as wall grazing to cut-off stray light (glare) from the beam centre. It decreases centre beam brightness by about 30%. It's main use is in controlling glare.

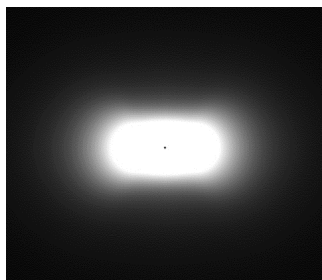
2 **Linear spread lens for [M] [E] [EE] [EES]**

**Suitable for:**

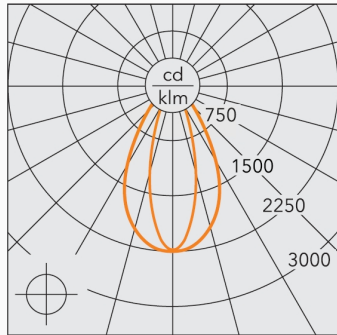
Spreading light horizontally or vertically with a **55° - 60° spread**. Ideal for diffusing and elongating a beam of light to structures such as columns, illuminating passages and corridor. Providing an extra level of control in lighting applications.



# [M]+ LINEAR SPREAD LENS

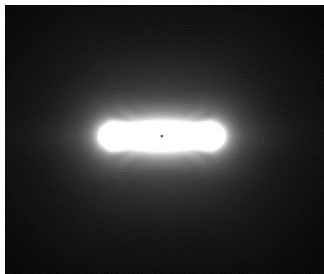


[M] Medium + linear spread lens  
(34° / 34°)

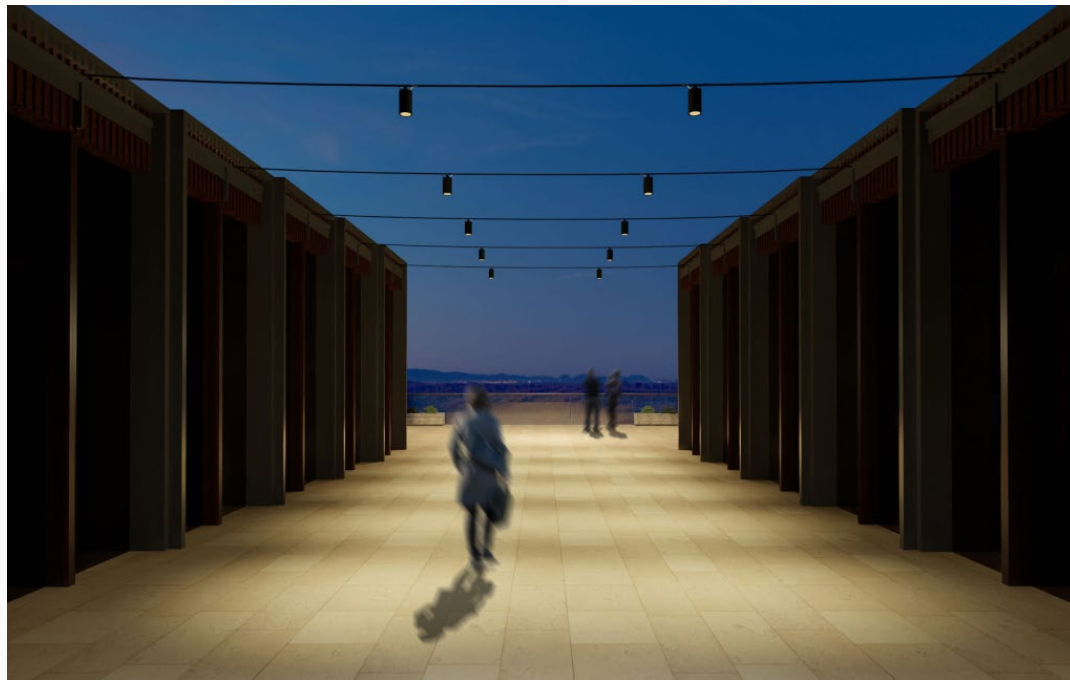
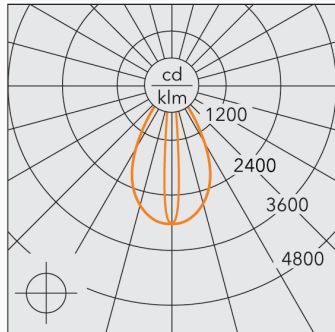


DAS120 [M] + IO-180 linear spread lens  
2700 K

# [EES]+ LINEAR SPREAD LENS



[EES] Very narrow 'sharp cut-off' + linear spread lens (30° / 30°)



DAS120 [EES] + IO-180 linear spread lens  
2700 K

# INSTALLATION

With optional T-cable connector



# APPLICATIONS

***we-ef***

© WE-EF 2021



DAS140 [B] 48 W  
3000 K

**we-ef**

© WE-EF 2021

# ROADSHOW CASE



## In the box

- 1 DAC110 [EES] 6 LED 12W 700mA
- 2 DAC120 [EES] 12 LED 24W 700mA
- 3 DAS120-PM KIT (pendant mounted)
- 4 DAS120 KIT (catenary)
- 5 DAC120 SE adaptor
- 6 IO-180 linear spread lens
- 7 Honeycomb louvre
- 8 9 [M] + [EES] lens
- 10 Mains cable
- 11 WE-EF presentation mat
- 12 Mini tool

**we-ef**

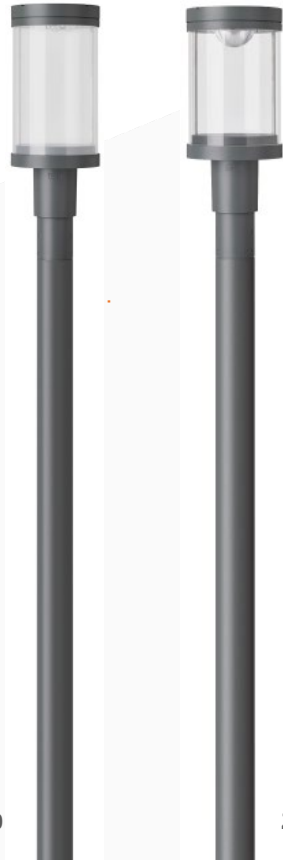
© WE-EF 2021

# ZFS400 catenary mounted



# PRODUCT LINE PHILOSOPHY

ZFS400 catenary is a **product line extension** from the original ZFT400 street and area lighting.

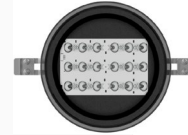


ZFT400

ZFT400-FT



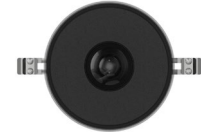
ZFS400



[S60] [S65] [S70] [A60] [R65]



ZFS400-FT

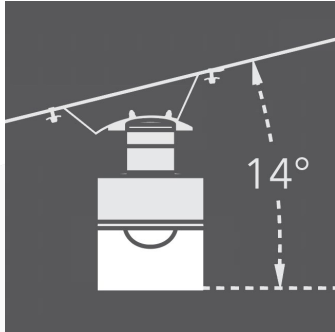


[C55] [R50]

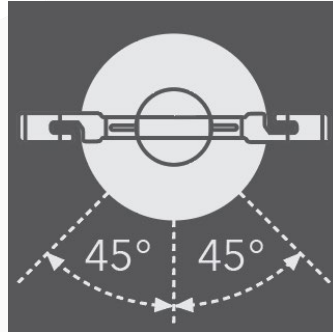
Adopting both COB technology for uniform symmetric and rectangular distributions

# FEATURES & BENEFITS

- **Coherent design** across product groups
- Highly **versatile aiming abilities** for asymmetric light distributions



Suspension adjustable +/-14°



Can be rotated 45° left and right



5CE



5CE  
+PRIMER

5CE quality checks on finish part up to 3,000 hours salt spray exposure test

5CE + Primer is suitable for coastal and aggressive environments

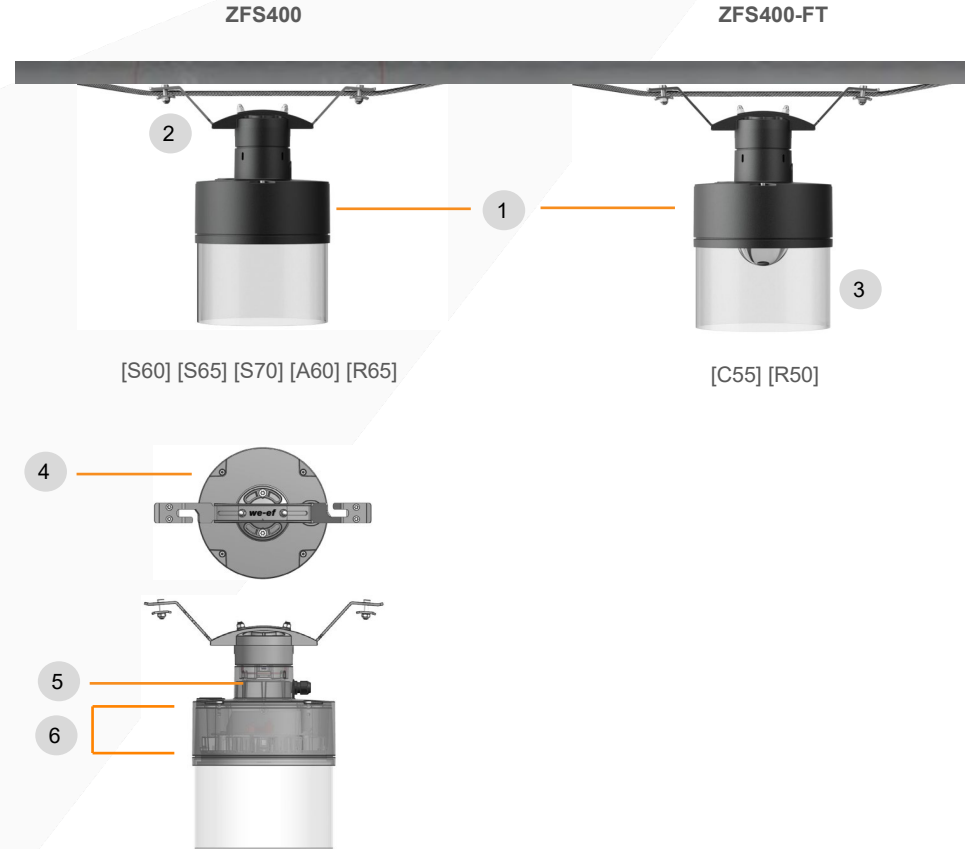


PCS

Polymer coated stainless steel hardware protect against galvanic corrosion and ensures longevity

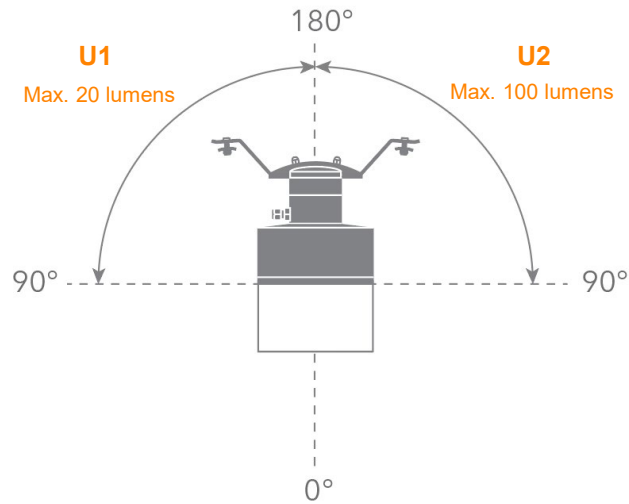
# FEATURES & BENEFITS

- 1 **Modern and minimalistic** design
- 2 **Robustly engineered and uncompromising durability** – a single piece of etched stainless steel connection mechanism  
More recessed lens to **improve glare control**
- 3 **Dark sky compliance** – clear outer lens direct the light downward, below 90°
- 4 **No water accumulation** on top of housing
- 5 **Drain outlets** allow the water and dirt accumulation to wash away
- 6 Construction allows for **improved sealing of luminaire**



# FEATURES & BENEFITS

## 7 BUG rating system



ZFS400



U1

[S60] [S65] [S70] [A60] [R65]

ZFS400-FT



U1

[C55]



U2

[R50]

# OVERVIEW



IP 66



IK 08



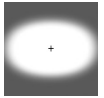
CLASS I



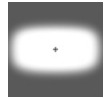
FACTORY SEALED

## Luminaire housing:

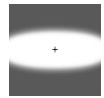
Marine-grade, die-cast aluminium alloy



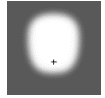
[S60]  
Streetlighting



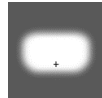
[S65]



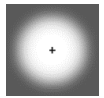
[S70]



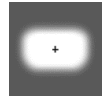
[A60]  
Symmetric  
'forward throw'



[R65]  
Rectangular  
'side throw'



[C55]  
Symmetric



[R50]  
Rectangular

## Control options:

1-10 V, DALI

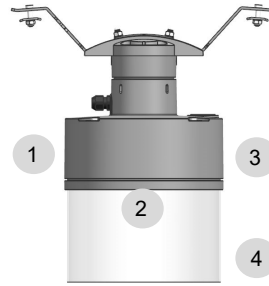
## Connectivity:

P2C, R2C, Eco Step Dim

**we-ef**

© WE-EF 2021

ZFS400



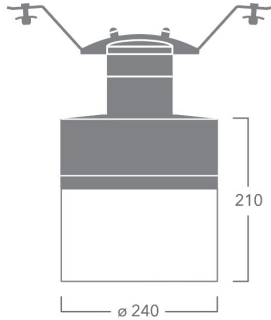
- 1 **Driver**  
Integral EC electronic converter
- 2 **LED lens**  
PMMA

ZFS400-FT



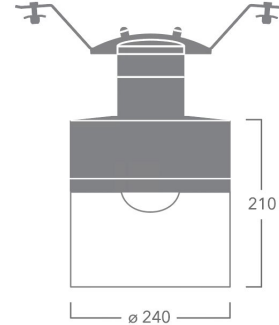
- 3 **Gasketing**  
Silicone CCG®  
Controlled Compression Gasket
- 4 **Main lens**  
Polycarbonate

# VARIANTS – DAS100



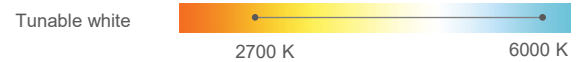
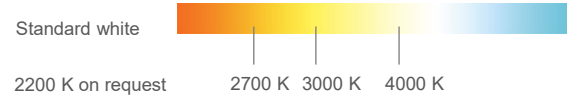
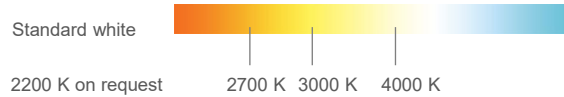
**ZFS460**

36 W | 54 W  
4194-8100 lm  
[S60] [S65] [S70] [A60] [R65]

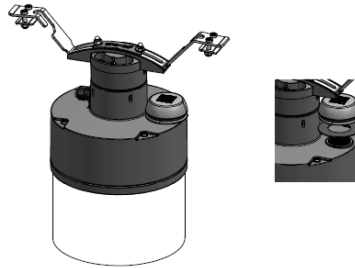
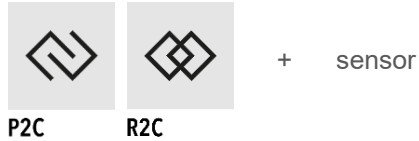
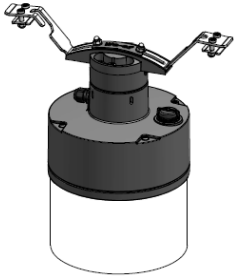
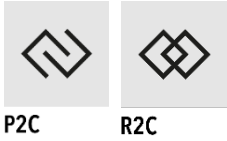


**ZFS460-FT**

24 W | 48 W  
4050-6695 lm  
[C55] [R50]



# CONNECTIVITY



**Lamination** – ensures protection against ingress



- Additional option:**
- Surge protection SP10
  - Integral PV-photocell

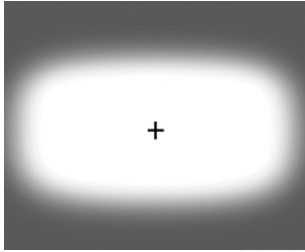
# LIGHT DISTRIBUTIONS

***we-ef***

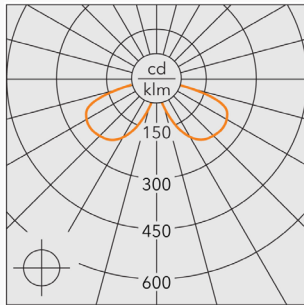
© WE-EF 2021



# ASYMMETRIC DISTRIBUTION



[S60] [S65] [S70] Streetlighting  
(53° / 53°) (70° / 70°)  
(53° / 53°) (72° / 72°)  
(47° / 47°) (76° / 76°)



Shown footprint and  
photometric are for [S65]

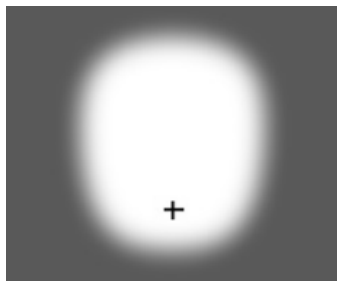


ZFS460 [S70]  
2700 K

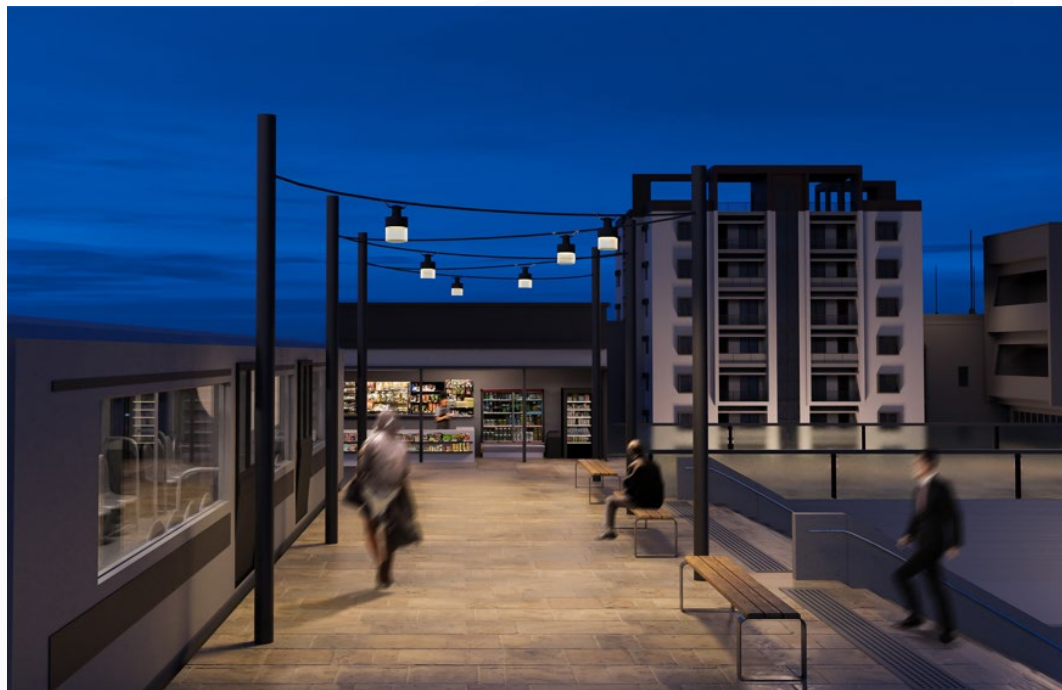
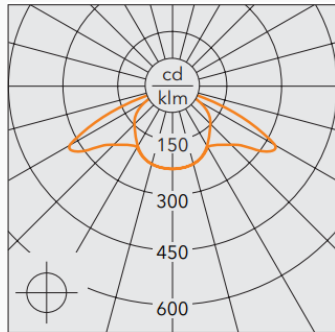
**we-ef**

© WE-EF 2021

# ASYMMETRIC DISTRIBUTION

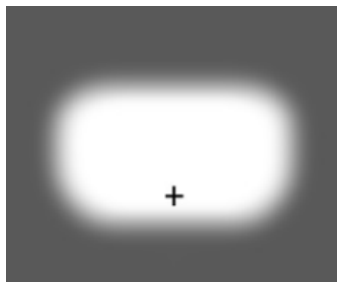


[A60] Asymmetric 'forward throw'  
(58° / 58°) (70° / 70°)

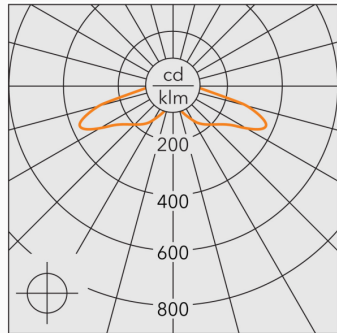


ZFS460 [A60]  
3000 K

# ASYMMETRIC DISTRIBUTION

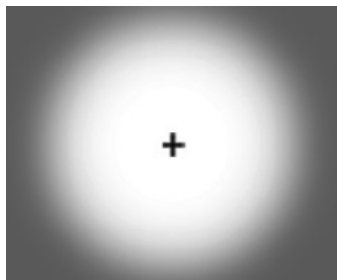


[R65] Rectangular 'side throw'  
(71° / 71°) (75° / 75°)

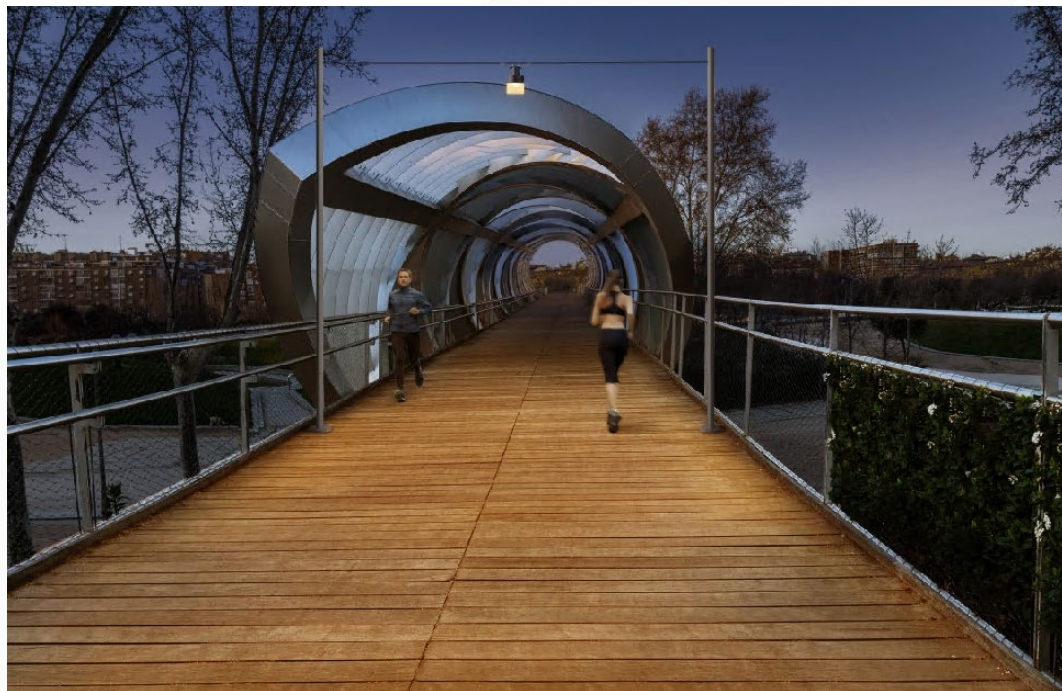
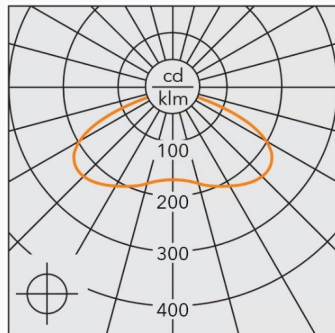


ZFS460 [R65]  
3000 K

# CONTROLLED DISTRIBUTION



[C55] Symmetric 'controlled'  
(68° / 68°)



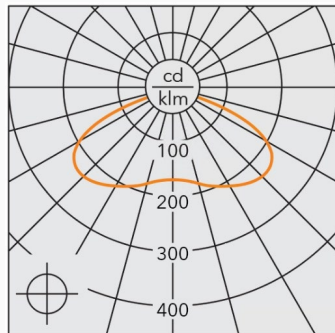
ZFS460-FT [C55]  
2700 K



# CONTROLLED DISTRIBUTION



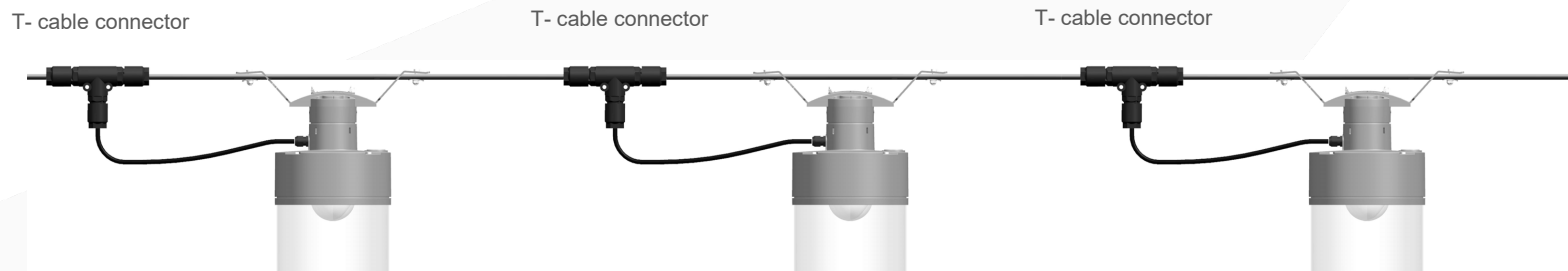
[R50] Rectangular  
(60° / 60°) (67° / 67°)



ZFS460-FT [R50]  
3000 K

# INSTALLATION

With optional T-cable connector



# APPLICATIONS

***we-ef***

© WE-EF 2021



ZFS460 [S70] 36 W  
3000 K

**we-ef**

© WE-EF 2021





ZFS460-FT [C55] 24 W  
3000 K

**we-ef**

© WE-EF 2021