

we-ef

WE-EF LEUCHTEN

PLS400 SERIES

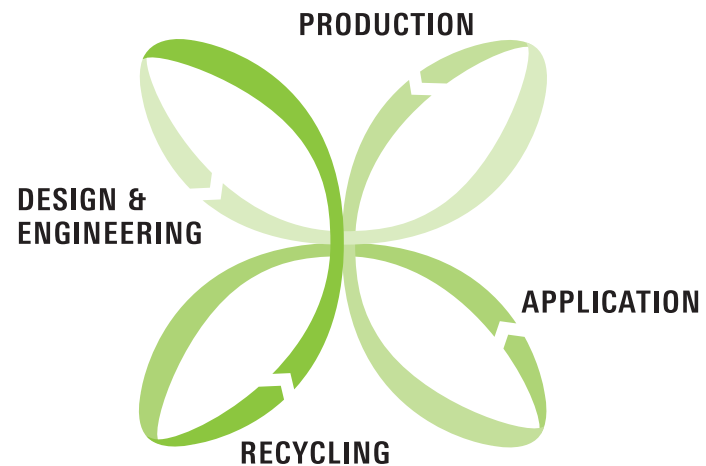
RLS400 SERIES

Wall luminaires surface mounted

Asia Pacific Edition

2020





WE-EF is a global manufacturer of high-performance exterior luminaires renowned for outstanding engineering design and innovative optical systems. Established in 1950 in Germany, WE-EF is recognised worldwide as a leading exterior lighting specialist that provides professional lighting solutions for various applications, ranging from urban spaces to architectural projects.

As a pioneer and innovator of a wide range of application-specific modular LED lens technologies, WE-EF develops optical systems that deliver photometric efficiency together with high visual comfort.

WE-EF is dedicated to the philosophy of combining form and function, resulting in striking and timeless product designs.

Precision in the design process, careful consideration of material selection and high-quality manufacturing processes ensure that WE-EF luminaires are considered to be a benchmark of product performance, reliability and longevity as well as ease of installation.

Responsible resource management is practiced across all areas of operation, from product life-cycle assessments to sustainable business procedures.

PLS400 SERIES

[Factory-sealed] Wall luminaire. IP66. IK08. Marine-grade, die-cast aluminium alloy. 5CE superior corrosion protection including PCS hardware. Powdercoat finish in black RAL 9004, grey aluminium RAL 9007, anthracite grey RAL 7016 or white RAL 9016. Safety glass lens. Silicone CCG® Controlled Compression Gasket. Luminaire is factory-sealed and does not need to be opened during installation.

Integral EC electronic converter. Advanced thermal management protects LEDs while optimising lumens output. CAD-optimised optics for superior illumination and glare control. OLC® One LED Concept. 1-10 V analogue dimming or DALI interface available on request.

Luminaire can be mounted for up or down lighting.

Light source:

LED 12-52 W, 3000 K and 4000 K
for 2700 K, refer to www.we-ef.com

Available distributions:

[M] [E]
[S70] [A60] [R65]

Accessories:

- Mounting, page 5
- Optical, page 5





[M] [E]

IOS® Innovative Optical System:

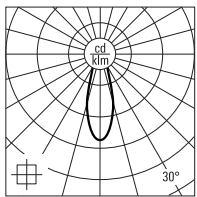
[M] Symmetric distribution, medium beam

[E] Symmetric distribution, narrow beam

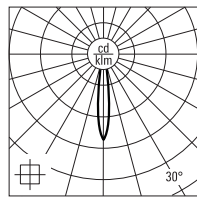


[M]		3000 K	lm	4000 K	lm	cd/klm	C_0C_{180}
PLS420	6 LED/12W/700 mA	131-9581	1476	131-9582	1476	1503	17°/17°
PLS420	6 LED/18W/1050 mA	131-9583	2340	131-9584	2700	1503	17°/17°
PLS420	6 LED/26W/1400 mA	131-9585	2993	131-9586	3453	1503	17°/17°
PLS430	12 LED/24W/700 mA	131-9671	2951	131-9672	2951	1843	20°/20°
PLS430	12 LED/36W/1050 mA	131-9673	4680	131-9674	5400	1447	13°/23°
PLS430	12 LED/52W/1400 mA	131-9675	5986	131-9676	6907	1447	13°/23°

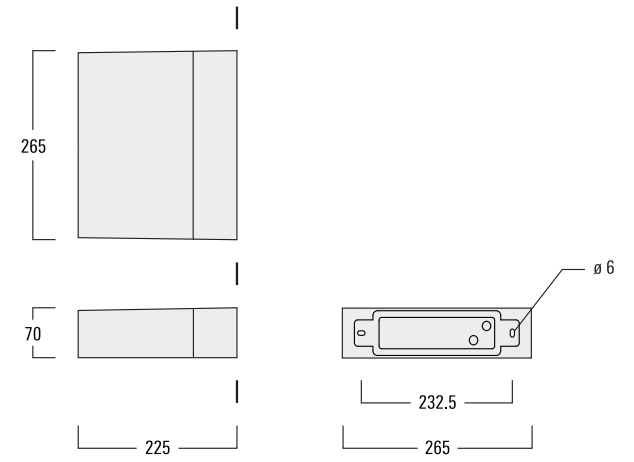
[E]		3000 K	lm	4000 K	lm	cd/klm	C_0C_{180}
PLS420	6 LED/12W/700 mA	131-9587	1476	131-9588	1476	6566	7°/7°
PLS420	6 LED/18W/1050 mA	131-9589	2340	131-9590	2700	6566	7°/7°
PLS420	6 LED/26W/1400 mA	131-9591	2993	131-9592	3453	6566	7°/7°
PLS430	12 LED/24W/700 mA	131-9677	2951	131-9678	2951	6566	7°/7°
PLS430	12 LED/36W/1050 mA	131-9679	4680	131-9680	5400	5241	7°/7°
PLS430	12 LED/52W/1400 mA	131-9681	5986	131-9682	6907	5241	7°/7°



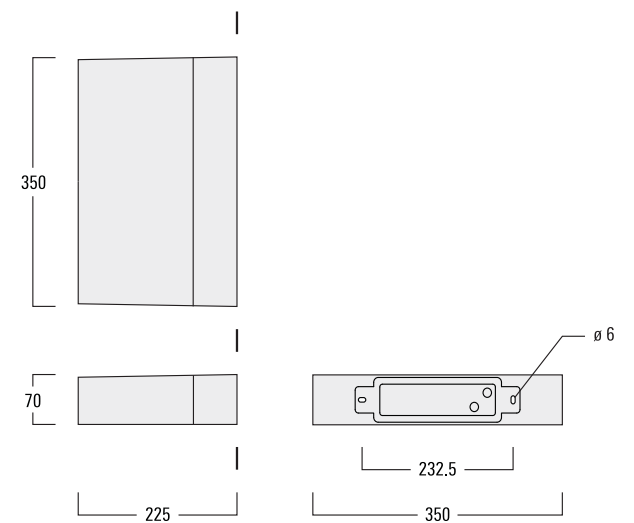
[M]



[E]



PLS420



PLS430

Accessories:

Dimming interface

1-10 V	for PLS420/430	430-0011
DALI	for PLS420/430	430-0013



[S70] [A60] [R65]

IOS® Innovative Optical System:

[S70] 'Side throw' distribution

[A60] Asymmetric 'forward throw' distribution

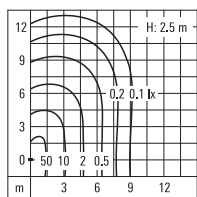
[R65] Rectangular 'forward throw' distribution



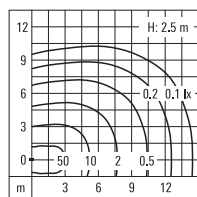
[S70]		3000 K	lm	Factor*	4000 K	lm	Factor*
PLS420	6 LED/12W/700 mA	131-9562	1476	1.00	131-9564	1476	1.00
PLS420	6 LED/18W/1050 mA	131-9565	2340	1.59	131-9566	2700	1.83
PLS420	6 LED/26W/1400 mA	131-9567	2993	2.03	131-9568	3453	2.34
PLS430	12 LED/24W/700 mA	131-9652	2951	2.00	131-9654	2951	2.00
PLS430	12 LED/36W/1050 mA	131-9655	4680	3.17	131-9656	5400	3.66
PLS430	12 LED/52W/1400 mA	131-9657	5986	4.06	131-9658	6907	4.68

[A60]		3000 K	lm	Factor*	4000 K	lm	Factor*
PLS420	6 LED/12W/700 mA	131-9575	1476	1.00	131-9576	1476	1.00
PLS420	6 LED/18W/1050 mA	131-9577	2340	1.59	131-9578	2700	1.83
PLS420	6 LED/26W/1400 mA	131-9579	2993	2.03	131-9580	3453	2.34
PLS430	12 LED/24W/700 mA	131-9665	2951	2.00	131-9666	2951	2.00
PLS430	12 LED/36W/1050 mA	131-9667	4680	3.17	131-9668	5400	3.66
PLS430	12 LED/52W/1400 mA	131-9669	5986	4.06	131-9670	6907	4.68

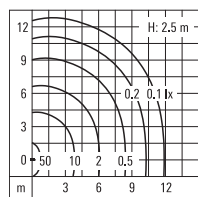
[R65]		3000 K	lm	Factor*	4000 K	lm	Factor*
PLS420	6 LED/12W/700 mA	131-9569	1476	1.00	131-9570	1476	1.00
PLS420	6 LED/18W/1050 mA	131-9571	2340	1.59	131-9572	2700	1.83
PLS420	6 LED/26W/1400 mA	131-9573	2993	2.03	131-9574	3453	2.34
PLS430	12 LED/24W/700 mA	131-9659	2951	2.00	131-9660	2951	2.00
PLS430	12 LED/36W/1050 mA	131-9661	4680	3.17	131-9662	5400	3.66
PLS430	12 LED/52W/1400 mA	131-9663	5986	4.06	131-9664	6907	4.68



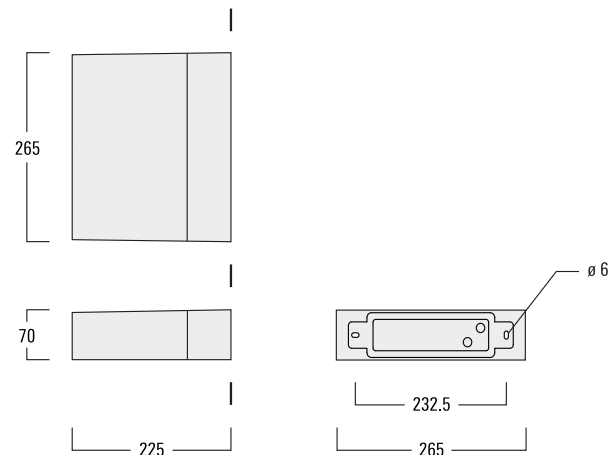
[S70]



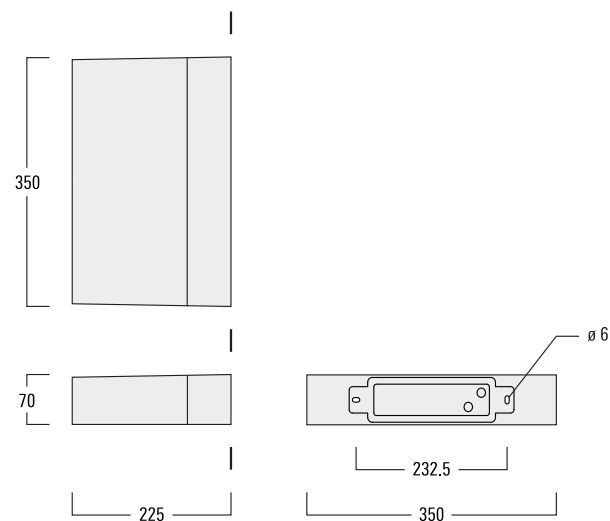
[A60]



[R65]



PLS420



PLS430

Accessories:

Dimming interface

1-10 V	for PLS420/430	430-0011
DALI	for PLS420/430	430-0013

OPTICAL ACCESSORIES – PLS400 SERIES

A maximum of one internal optical accessory. Factory-installed.

Honeycomb louvre – For symmetric [E] versions.

IW	for PLS420	131-9596
IW	for PLS430	131-9684



IW

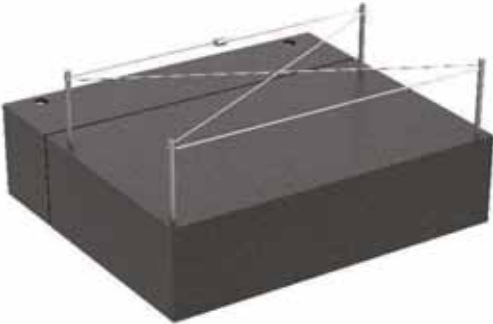
MOUNTING ACCESSORIES – PLS400 SERIES

A maximum of one external optical accessory. Factory-installed.

Bird deterrent

BD	for PLS420	131-9600
BD	for PLS430	131-9688

Factory-installed, must be specified at time of ordering.



Bird deterrent

RLS400 SERIES

[Factory-sealed] Wall luminaire. IP66. IK08. Marine-grade, die-cast aluminium alloy. 5CE superior corrosion protection including PCS hardware. Powdercoat finish in black RAL 9004, grey aluminium RAL 9007, anthracite grey RAL 7016 or white RAL 9016. Safety glass lens. Silicone CCG® Controlled Compression Gasket. Luminaire is factory-sealed and does not need to be opened during installation.

Integral EC electronic converter. Advanced thermal management protects LEDs while optimising lumens output. CAD-optimised optics for superior illumination and glare control. OLC® One LED Concept.

1-10 V analogue dimming or DALI interface available on request.

Luminaire can be mounted for up or down lighting.

Light source:

LED 6-26 W, 3000 K and 4000 K
for 2700 K, refer to www.we-ef.com

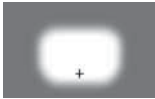
Available distributions:

[R45] [M] [E]

Accessories:

■ Optical, page 9





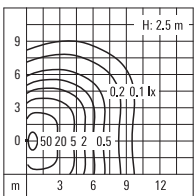
[R45]

IOS® Innovative Optical System:

[R45] Rectangular 'forward throw' distribution



[R45]		3000 K	lm	4000 K	lm	Factor*
RLS410	3 LED/6W/700 mA	131-9960	738	131-9961	738	0.43
RLS410	3 LED/9W/1050 mA	131-9962	1170	131-9963	1350	0.78
RLS410	3 LED/13W/1400 mA	131-9964	1496	131-9965	1727	1.00
RLS420	6 LED/12W/700 mA	131-9980	1476	131-9981	1476	0.85
RLS420	6 LED/18W/1050 mA	131-9982	2340	131-9983	2700	1.56
RLS420	6 LED/26W/1400 mA	131-9984	2993	131-9985	3453	2.00

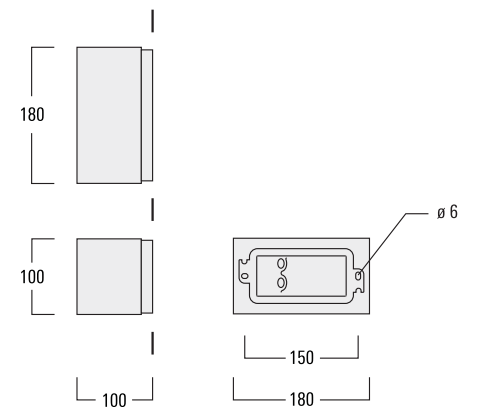


[R45]

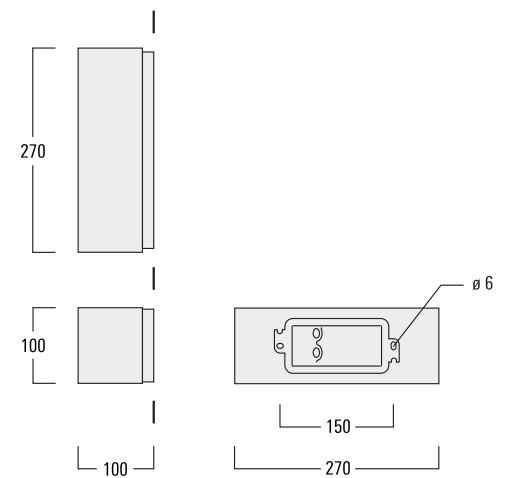
Accessories:

Dimming interface

1-10 V	for RLS410/420	430-0011
DALI	for RLS410/420	430-0013



RLS410



RLS420

* Multiplier for isolux values.



[M] [E]

IOS® Innovative Optical System:

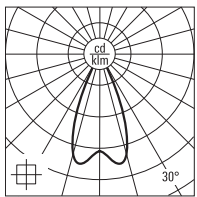
[M] Symmetric distribution, medium beam

[E] Symmetric distribution, narrow beam

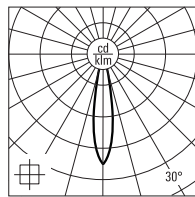


[M]		3000 K	lm	4000 K	lm	cd/klm	$C_0 C_{180}$
RLS410	3 LED/6W/700 mA	131-9966	738	131-9967	738	1841	20°/20°
RLS410	3 LED/9W/1050 mA	131-9968	1170	131-9969	1350	1446	23°/23°
RLS410	3 LED/13W/1400 mA	131-9970	1496	131-9971	1727	1446	23°/23°
RLS420	6 LED/12W/700 mA	131-9986	1476	131-9987	1476	1841	20°/20°
RLS420	6 LED/18W/1050 mA	131-9988	2340	131-9989	2700	1446	23°/23°
RLS420	6 LED/26W/1400 mA	131-9990	2993	131-9991	3453	1446	23°/23°

[E]		3000 K	lm	4000 K	lm	cd/klm	$C_0 C_{180}$
RLS410	3 LED/6W/700 mA	131-9972	738	131-9973	738	6567	7°/7°
RLS410	3 LED/9W/1050 mA	131-9974	1170	131-9975	1350	5242	8°/8°
RLS410	3 LED/13W/1400 mA	131-9976	1496	131-9977	1727	5242	8°/8°
RLS420	6 LED/12W/700 mA	131-9992	1476	131-9993	1476	6567	7°/7°
RLS420	6 LED/18W/1050 mA	131-9994	2340	131-9995	2700	5242	8°/8°
RLS420	6 LED/26W/1400 mA	131-9996	2993	131-9997	3453	5242	8°/8°



[M]

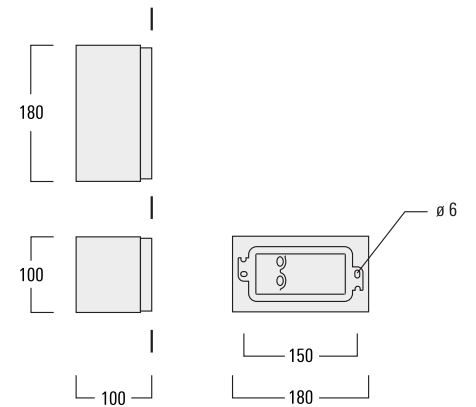


[E]

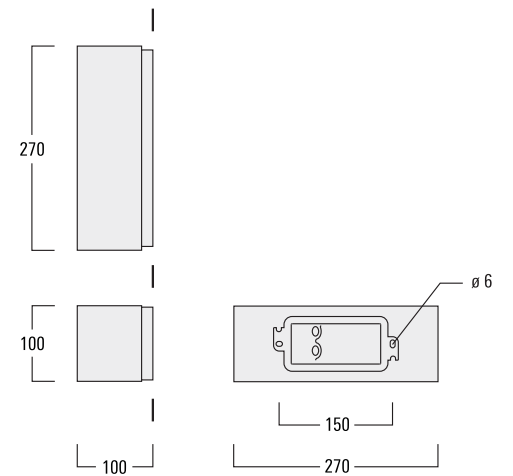
Accessories:

Dimming interface

1-10 V	for RLS410/420	430-0011
DALI	for RLS410/420	430-0013



RLS410



RLS420

OPTICAL ACCESSORIES – RLS400 SERIES

Internal Accessories

A maximum of one internal optical accessory. Factory-installed.

Honeycomb louvre – For symmetric [E] versions.

IW	for RLS410	131-9555
IW	for RLS420	131-9706



IW

PLS400 / RLS400 FEATURES

IP classification:	IP66
Electrical protection:	Class I
Impact protection:	IK08
Luminaire housing:	Marine-grade, die-cast aluminium alloy
Driver:	Integral EC electronic converter Advanced thermal management protects LEDs while optimising lumens output
Gasket:	Silicone CCG® Controlled Compression Gasket
Optics:	CAD-optimised optics for superior illumination and glare control OLC® One LED Concept
Corrosion protection:	5CE superior corrosion protection and PCS hardware (polymer coated stainless steel)
Installation:	Luminaire is factory-sealed and does not need to be opened during installation
Control options:	ON/OFF, 1-10 V, DALI

OPTICAL FEATURES

Light Distributions:

PLS420

6 LED, 12-26 W

700 mA/1050 mA/1400 mA

PLS430

6 LED, 12-52 W

700 mA/1050 mA/1400 mA

RLS410

3 LED, 6-13 W

700 mA/1050 mA/1400 mA

RLS420

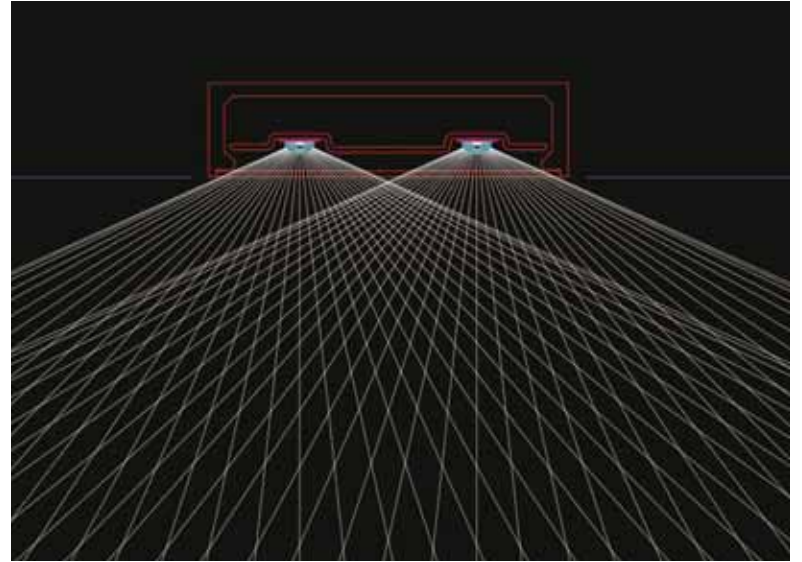
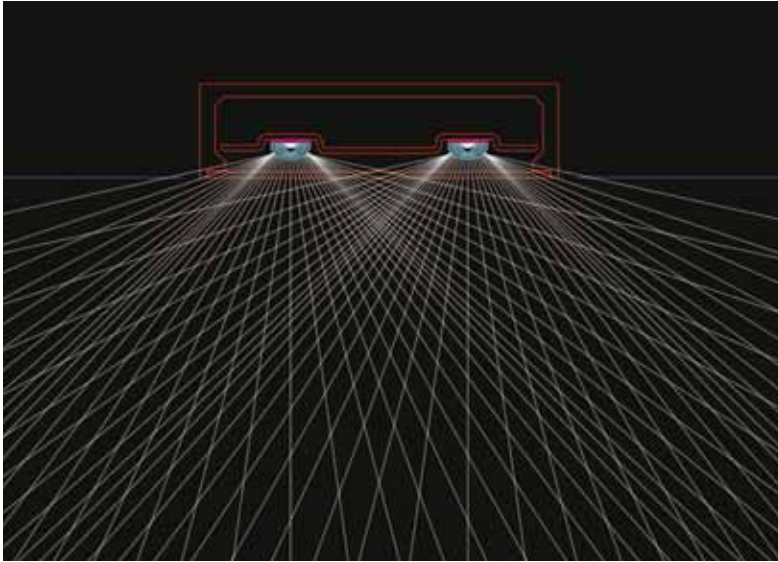
6 LED, 12-26 W

700 mA/1050 mA/1400 mA

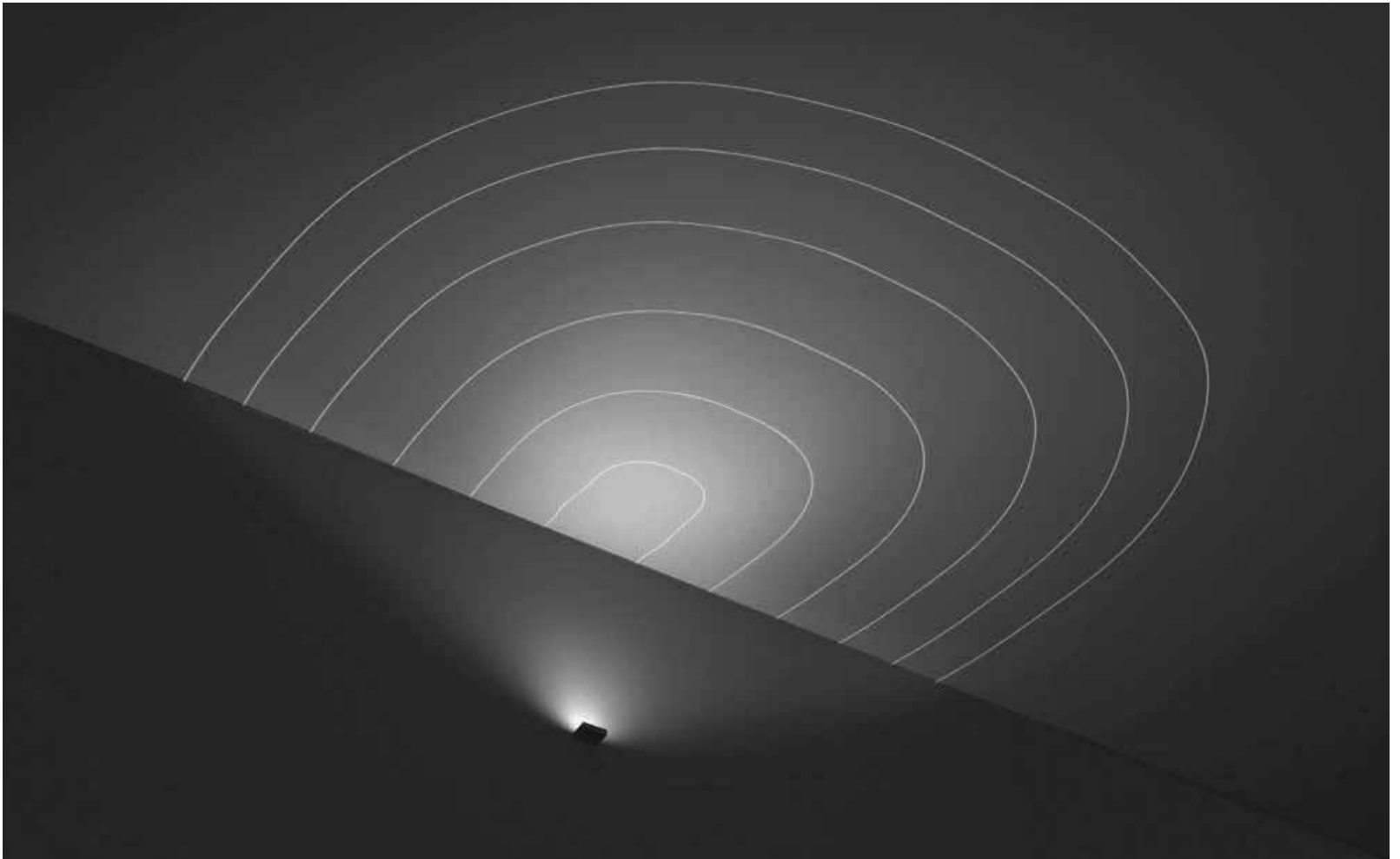


A typical application of RLS410 [E] luminaire in an architectural setting. Luminaires can be seamlessly integrated into architecture to provide functional lighting for various applications ranging from illuminating buildings, façades/canopies to pathways and more.

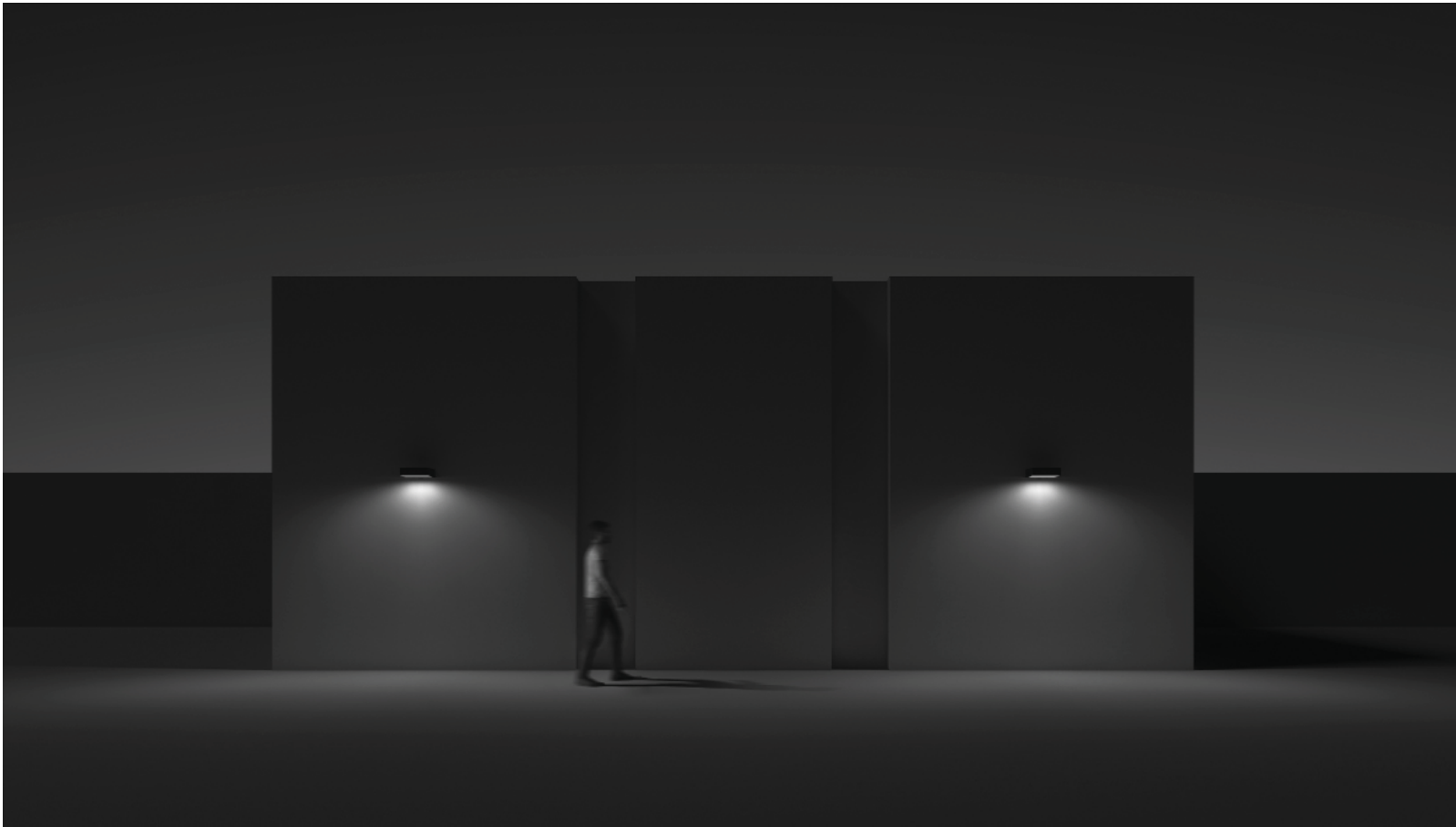
Introducing high performance street and area lighting optics for wall surface mounted luminaire – delivering first- class illumination and precision directing light to where it's needed. With five different distributions to choose from – [M] [E] [S70] [A60] [R65] a variety of lighting challenges can be addressed. They are characterised by their wide-ranging areas of application as they can be used both as uplights and downlights to illuminate the walls and floors above or below them.



PLS430 CAD ray-tracing simulation demonstrates [S70] and [R65] optics broad downward light distributions. Tailored to the respective lighting task, the series offers variants with symmetric light distribution as well as with asymmetric side or asymmetric forward throw beam characteristics.



Typical isolux diagram of a single unit PLS430 [A60] installation. With their high lumen packages of up to 6,900 lm, PLS430 wall luminaires can also bridge longer distances and are ideal as uplights for illuminating awnings or canopies.

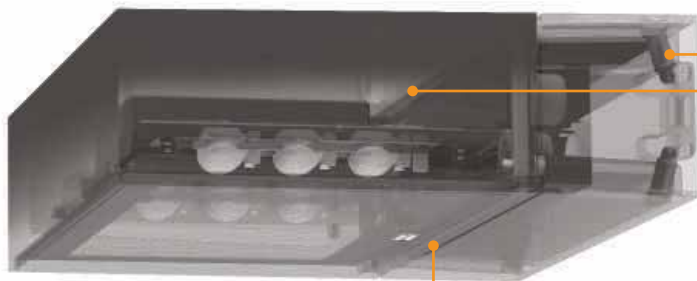


PLS420 [S70]

The [S70] optical system allows for large spacing intervals between luminaires, as demonstrated in this typical application example.



RLS400



PLS400



PCS hardware

- Austenitic stainless steel
- Tough, impregnated polymer coating
- Non-metallic barrier, protects against galvanic corrosion



Five anti-corrosion properties

- Substrate – marine grade aluminium alloy
- Conversion coating – multi-step pre-treatment
- Powder coating – UV stabilised, architectural grade coating
- PCS hardware – refer to detail below
- Process Control – tightly controlled process and quality checks, up to 3,000-hour salt spray tests



FACTORY SEALED

Luminaire does not need to be opened during installation.

WE-EF LEUCHTEN

GmbH

Toepinger Strasse 16

D-29646 Bispingen

Germany

Tel +49 5194 909 0

Fax +49 5194 909 299

info.asiapacific@we-ef.com

www.we-ef.com

PLS400 / RLS400 SERIES

Wall luminaires surface mounted

Asia Pacific Edition 2020

T09616W0120 © WE-EF 2020