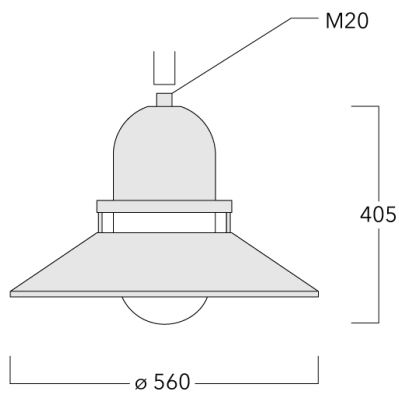




**Description**

IP55, Class I. IK10. Marine-grade, die-cast aluminium alloy. 5CE superior corrosion protection including PCS hardware. Polycarbonate lens. Silicone rubber gasket.

Integral EC electronic converter. DALI interface. CAD-optimised lens for superior illumination and glare control.



## Specifications

### Material description

Body	Marine-grade, die-cast aluminium alloy			
Lens	Polycarbonate lens			
Colours	<b>RAL9004</b> Signal black	<b>RAL9016</b> Traffic white	<b>RAL7016</b> Anthracite grey	<b>RAL9007</b> Grey aluminium
Gasket	Silicone rubber gasket			
Fasteners	PCS hardware			
Ingress protection	IP55			
Impact resistance	IK10			
Corrosion resistance	5CE			



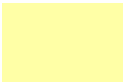

### Electrical description

Power supply	220-240V / 50-60 Hz
Driver / Ballast	Integral electronic converter with DALI interface
Surge protection	6/6 kV (optional SP10)
Energy efficiency	D (Light source)

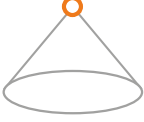
### Additional information

Windage	0.12 m <sup>2</sup>
Lifetime	Ta=25° L70B50 > 50000h

**Options**

Light distribution	Colour temperature	Nominal Watt
 [C60]	 3000K	17 W 24 W
	 4000K	
	 2700K	

## Configurations

Light distribution	Part ID	Light source	Rated lumens	Rated input power	CRI
 [C60]	127-1419	LED-1/17W/2700K	2006.8 lm	17 W	80
	127-1260	LED-1/17W/3000K	2099.1 lm	17 W	80
	127-1261	LED-1/17W/4000K	2188 lm	17 W	80
	127-1420	LED-1/24W/2700K	2769.2 lm	24 W	80
	127-1262	LED-1/24W/3000K	2885.4 lm	24 W	80
	127-1263	LED-1/24W/4000K	3008.5 lm	24 W	80