

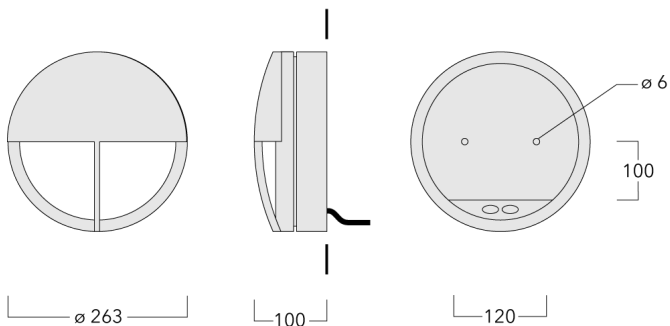




Description

IP66, Class I, IK10. Marine-grade, die-cast aluminium alloy. 5CE superior corrosion protection + primer including PCS hardware. Polycarbonate lens. Silicone rubber gasket. Two cable entries.

Integral EC electronic converter. Advanced thermal management protects LEDs while optimising lumens output.



Specifications

Material description

Body	Marine-grade die-cast aluminium alloy						
Lens	Polycarbonate main lens						
Colours	<table><tr><td>RAL9004</td><td>RAL9006</td><td>RAL9007</td></tr><tr><td>Signal black</td><td>White aluminium</td><td>Grey aluminium</td></tr></table>	RAL9004	RAL9006	RAL9007	Signal black	White aluminium	Grey aluminium
RAL9004	RAL9006	RAL9007					
Signal black	White aluminium	Grey aluminium					
Gasket	Silicone rubber gasket						
Fasteners	PCS Polymer Coated Stainless Steel Hardware (unpainted)						
Ingress protection	IP55						
Impact resistance	IK10						
Corrosion resistance	5CE+Primer						

Electrical description

Power supply	230V / 50 Hz
Driver / Ballast	Integral EC electronic converter
Surge protection	1/2 kV
Energy efficiency	The product is supplied with 10-year warranty. Please refer to the LED Warranty Statement located on www.we-ef.com for further details.

Additional information

Lifetime	Ta=40° L70B50 > 50000h
----------	------------------------

Options

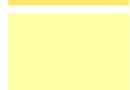
Light distribution **Colour temperature** **Nominal Watt**

[]



3000K

17 W



4000K



2700K

Configurations

Light distribution	Part ID	Light source	Rated lumens	Rated input power	CRI
[]	195-0899	LED-1/17W/2700K	2936.3 lm	17 W	80
	195-9530	LED-1/17W/3000K	3071.3 lm	17 W	80
	195-9531	LED-1/17W/4000K	3201.4 lm	17 W	80