

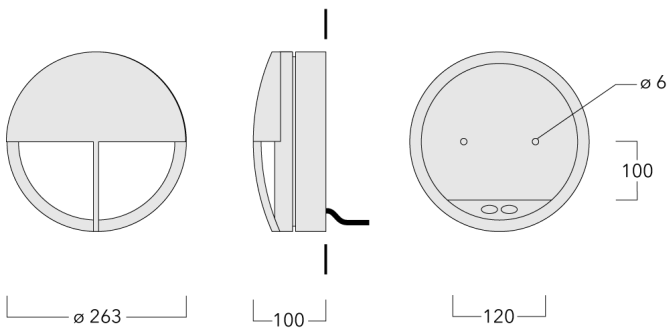




#### Description

IP55, Class I, IK10. Marine-grade, die-cast aluminium alloy. 5CE superior corrosion protection including PCS hardware. Polycarbonate lens. Silicone rubber gasket. Two cable entries.

Integral EC electronic converter. Advanced thermal management protects LEDs while optimising lumens output.



## Specifications

### Material description

---

|                      |  |                                 |                                   |                                  |
|----------------------|--|---------------------------------|-----------------------------------|----------------------------------|
| Body                 | Marine-grade, die-cast aluminium alloy |                                 |                                   |                                  |
| Lens                 | Polycarbonate lens                     |                                 |                                   |                                  |
| Colours              | <b>RAL9004</b><br>Signal black         | <b>RAL9016</b><br>Traffic white | <b>RAL7016</b><br>Anthracite grey | <b>RAL9007</b><br>Grey aluminium |
| Gasket               | Silicone rubber gasket                 |                                 |                                   |                                  |
| Fasteners            | PCS hardware                           |                                 |                                   |                                  |
| Ingress protection   | IP55                                   |                                 |                                   |                                  |
| Impact resistance    | IK10                                   |                                 |                                   |                                  |
| Corrosion resistance | 5CE                                    |                                 |                                   |                                  |

---

### Electrical description

---

|                   |                                  |
|-------------------|----------------------------------|
| Power supply      | 220-240V / 50-60 Hz              |
| Driver / Ballast  | Integral EC electronic converter |
| Surge protection  | 1/2 kV                           |
| Energy efficiency | D-E (Light source)               |

---

### Additional information

---

|          |                        |
|----------|------------------------|
| Lifetime | Ta=25° L70B50 > 50000h |
|----------|------------------------|

---

**Options**

**Light distribution**    **Colour temperature**    **Nominal Watt**

[]



3000K

17 W



4000K



2700K

## Configurations

| Light distribution | Part ID  | Light source    | Rated lumens | Rated input power | CRI |
|--------------------|----------|-----------------|--------------|-------------------|-----|
| []                 | 195-9514 | LED-1/17W/2700K | 2936.3 lm    | 17 W              | 80  |
|                    | 195-9530 | LED-1/17W/3000K | 3071.3 lm    | 17 W              | 80  |
|                    | 195-9531 | LED-1/17W/4000K | 3201.4 lm    | 17 W              | 80  |