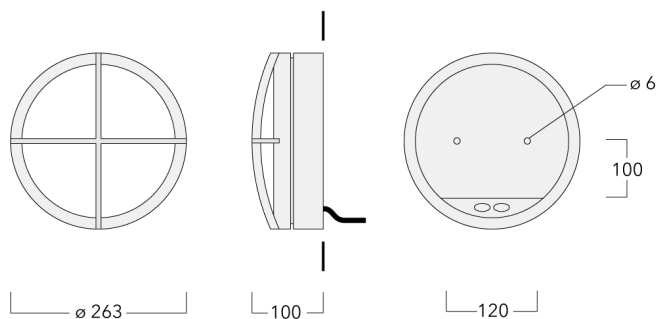






#### Description

IP55, Class I. Class II on request. IK10. Marine-grade, die-cast aluminium alloy. 5CE superior corrosion protection including PCS hardware. Silicone rubber gasket. Polycarbonate main lens. Two cable entries. Factory installed LED circuit board. Integral EC electronic converter.



## Specifications

### Material description

Body	Marine-grade die-cast aluminium alloy																
Lens	Polycarbonate lens																
Colours	<table><tr><td><b>RAL9004</b></td><td><b>RAL9006</b></td><td><b>RAL9016</b></td><td><b>RAL7016</b></td></tr><tr><td>Signal black</td><td>White aluminium</td><td>Traffic white</td><td>Anthracite grey</td></tr><tr><td><b>RAL9007</b></td><td></td><td></td><td></td></tr><tr><td>Grey aluminium</td><td></td><td></td><td></td></tr></table>	<b>RAL9004</b>	<b>RAL9006</b>	<b>RAL9016</b>	<b>RAL7016</b>	Signal black	White aluminium	Traffic white	Anthracite grey	<b>RAL9007</b>				Grey aluminium			
<b>RAL9004</b>	<b>RAL9006</b>	<b>RAL9016</b>	<b>RAL7016</b>														
Signal black	White aluminium	Traffic white	Anthracite grey														
<b>RAL9007</b>																	
Grey aluminium																	
Gasket	Silicone rubber gasket																
Fasteners	PCS Polymer Coated Stainless Steel Hardware																
Ingress protection	IP55																
Impact resistance	IK10																
Corrosion resistance	5CE																


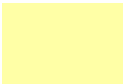

### Electrical description

Power supply	220-240V / 50-60 Hz
Driver / Ballast	Integral EC electronic converter
Surge protection	1/2 kV
Energy efficiency	E (Light source)

### Additional information

Lifetime	Ta=25° L70B50 > 50000h
----------	------------------------

**Options**

Light distribution	Colour temperature	Nominal Watt
□	 3000K	17 W
	 4000K	
	 2700K	

## Configurations

Light distribution	Part ID	Light source	Rated lumens	Rated input power	CRI
[]	195-0895	LED-1/17W/2700K	1153.6 lm	17 W	80
	195-9524	LED-1/17W/3000K	1206.6 lm	17 W	80
	195-9525	LED-1/17W/4000K	1257.7 lm	17 W	80