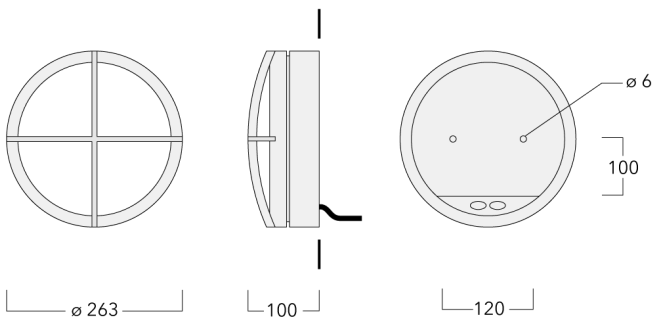




**Description**

IP55, Class I. IK10. Marine-grade, die-cast aluminium alloy. 5CE superior corrosion protection including PCS hardware. Polycarbonate lens. Silicone rubber gasket. Two cable entries.

Integral EC electronic converter. Advanced thermal management protects LEDs while optimising lumens output.



Specifications

Material description

Body	Marine-grade, die-cast aluminium alloy			
Lens	Polycarbonate lens			
Colours	RAL9004	RAL9016	RAL7016	RAL9007
	Signal black	Traffic white	Anthracite grey	Grey aluminium
Gasket	Silicone rubber gasket			
Fasteners	PCS hardware			
Ingress protection	IP55			
Impact resistance	IK10			
Corrosion resistance	5CE			

Electrical description

Power supply	220-240V / 50-60 Hz
Driver / Ballast	Integral EC electronic converter
Surge protection	1/2 kV
Energy efficiency	E (Light source)

Additional information

Lifetime	Ta=25° L70B50 > 50000h
----------	------------------------

Options

Light distribution **Colour temperature** **Nominal Watt**

[]



3000K

17 W



4000K



2700K

Configurations

Light distribution	Part ID	Light source	Rated lumens	Rated input power	CRI
[]	195-9512	LED-1/17W/2700K	1153.6 lm	17 W	80
	195-9524	LED-1/17W/3000K	1206.6 lm	17 W	80
	195-9525	LED-1/17W/4000K	1257.7 lm	17 W	80